

Data Sheet Accessory

Accessory XY-lock

for Series TRY20/21



- Additional component for locking the X and Y axes of the TRY20 and TRY21
- Makes the TRY20 or TRY21 to a single axis panel encoder with spring return
- Suitable for every TRY20 and TRY21 joystick
- Installation by simply clipping in and gluing

The accessory is suitable for retroactively locking the X and Y axes of the TRY20 and TRY21, turning the joystick into a manual adjuster with 1 axis for resetting to the centre position.

The part is pressed into the underside of the joystick and snaps into place. We recommend additionally securing the component with PU adhesive.

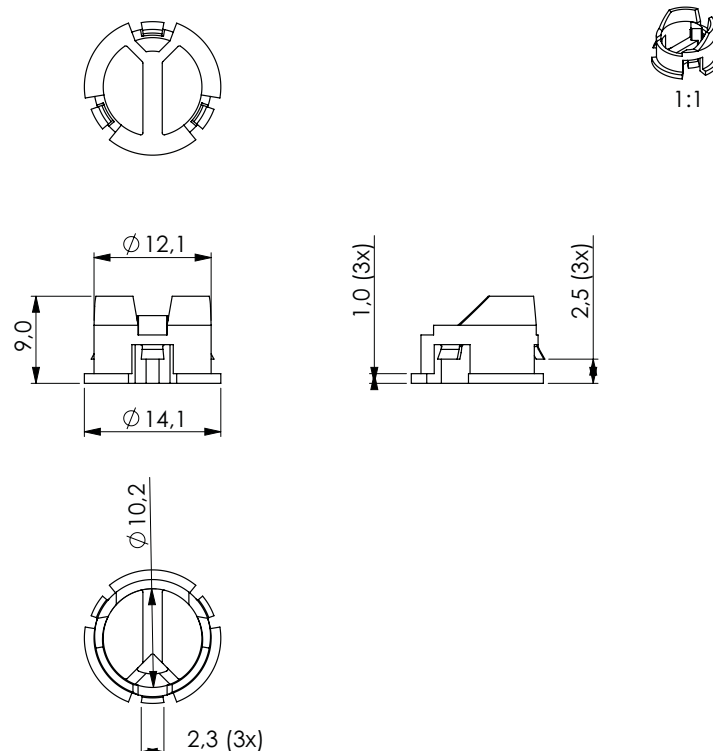
Data

Height	9 mm
Diameter	14.1 mm
Material	PA (MJF)

Order information

Part Number	136457
Name	X/Y lock TRY20/21

Technical drawing





Installation/adhesive instructions

Recommended adhesives:

1) Adhesives based on silane-modified polymers
Example: TEROSON MS 9220

2) Adhesives based on polyurethane
Example: TEROSON PU 9225

Steps	Picture
1) Unpack the joystick. CAUTION: Observe ESD protection. Do not touch the surface of the circuit board.	
2) Leave the joystick in the centre position (do not deflect). Press the X/Y lock into the base.	
3) Apply adhesive to the outside of the component along the 3 wings so that it clearly establishes contact between the circuit board and the wings	
(View with completed bonding)	