

# Data Sheet for Joysticks

## Accessories for Joystick

## SpaceMouse® Module

### Elastomer ring - part no. 134818

- For mounting on the SpaceMouse® Module's cap

#### Applications

- Increases adhesion with plastic foils (PP)
- Increases grip when operator uses gloves

#### Mounting instruction

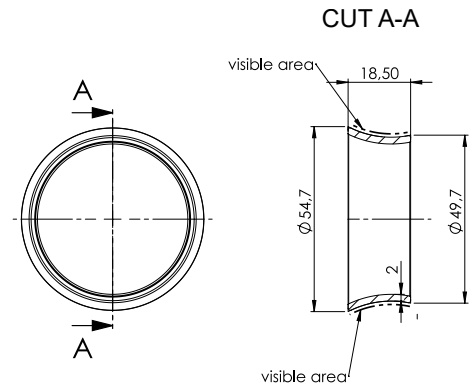
- Mounting and unmounting possible without tool
- No glueing needed
- Make sure to fix cab while removing  
(be careful not to damage the spring/mechanics while doing so)

#### Material details

Material type: TPE

Properties: Adhesion with PP, halogen-free (according to IEC 61249-2-21)

Approvals: EN71-3, US CFR 21 FDA, meets EU regulation 10/2011



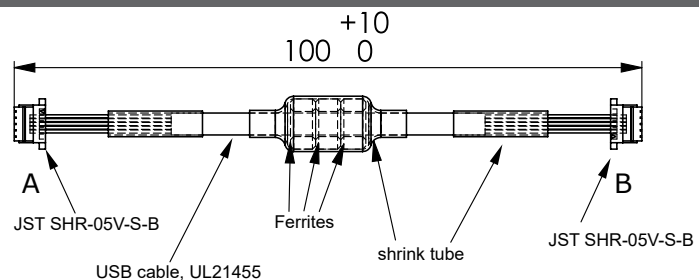
### Cables - overview

The SpaceMouse® Module comes with one connection cable enclosed. For special needs or replacement of broken cables, the following cables are available:

Part No.	Applicable for	Length	Description / Application
135082	SpaceMouse® Module USB, 131002	1.5 m	USB spare cable harness (original quality), terminated with USB type A connector. For replacement of standard cable.
135587	SpaceMouse® Module USB, 131002	100+10 mm	Connection with ferrite for interference-safe usb operation, with JST plugs only (no USB-type connector), UL-listed components, see drawing below
135054	SpaceMouse® Module UART, 131034	200+15 mm	Improved connection cable, with JST plugs one side and Molex 2.54 raster connector on the customer's side, see drawing below. For replacing the original cable or if a more robust cable is needed.

### Drawing for cable harness - part no. 135587

Pin assignment		
Connector A SHR-04V-S-B	Wire colour	Connector B SHR-04V-S-B
1	gn	1
2	wh	2
3	rd	3
4	bk	4
5	bk (screen)	5



### Drawing for cable harness - part no. 135054

Pin assignment		
Connector A SHR-04V-S-B	Wire colour	Connector B 50-57-9004
1	rd	1
2	gn	3
3	og	4
4	bk	2

