

# Data Sheet for sensor accessories

Connector M8 with cable

Series STKM8

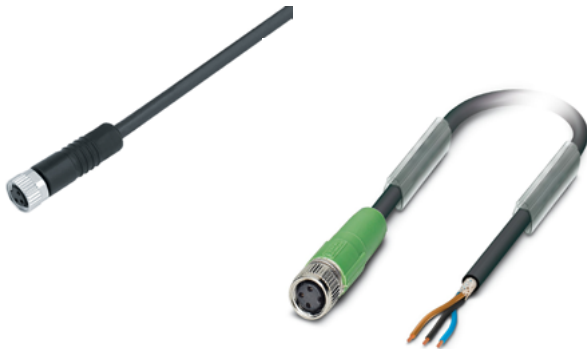


Illustration similar

The connectors with cable are female straight or angled connectors with M8 thread.

- 3 / 8 / 12 poles
- Straight / angled
- IP67
- Shielded or not shielded
- AWG22/24/26/28

## Electrical data

Rated current (40°C)	4 A
Volume resistivity	≤ 3 mΩ
EMC compliance	not shielded / shielded

## General characteristics, materials

Connector design*	female straight or angled cable connector
Connector locking system	bolted
Termination	moulded on cable
Wire gauge (mm)*	0.09 mm <sup>2</sup> , 0.14 mm <sup>2</sup> , 0.25 mm <sup>2</sup> oder 0.34 mm <sup>2</sup>
Wire gauge (AWG)*	22, 24, 26 or 28
Cable diameter*	3.6 to 4.5 mm (not shielded) / 4.35 to 4.6 mm (shielded)
Operational temperature	-25 °C up to +80 °C/85 °C
Protection grade (IEC60529)	IP67
Mechanical operation	> 100 mating cycles
Contact material	CuZn (brass)
Contact plating*	Ni/Au
Contact body material *	PUR
Housing material	PUR
Sheath material*	PVC or PUR
Single-lead insulation*	PVC (not shielded) / PP (shielded)
Single-lead structure*	42 x 0.1 mm

\* depends on the actual variant

# Data Sheet for sensor accessories

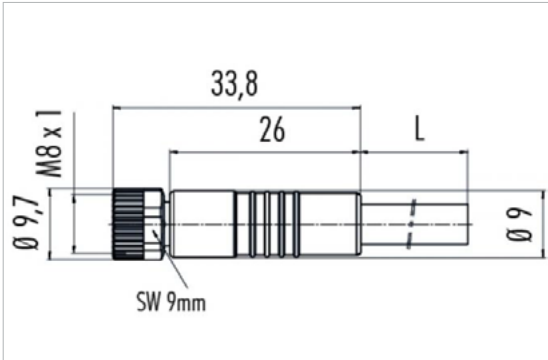
Connector M8 with cable

Series STKM8

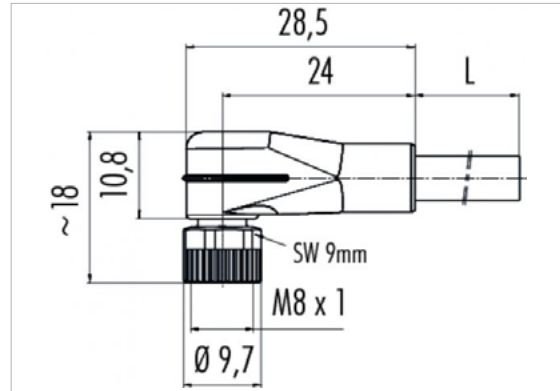
Order Code								
Description	Selection: <b>standard=black/bold</b> , possible <i>options=grey/italic</i>							
Series:	<b>STK</b>							
Thread: M8		<b>M8</b>						
Contact arrangement: 3 pole 8 pole 12 pole			<b>3POL</b> <b>8POL</b> <b>12POL</b>					
Degree of protection: IP67				<b>IP67</b>				
Connector: Straight Angled					<b>G</b> <b>W</b>			
EMC compliance: Not shielded Shielded						<b>NS</b> <b>GS</b>		
Cable length: 1,5 meters 2 meters							<b>1,5 M</b> <b>2M</b>	
Wire gauge (AWG): AWG 22 AWG 24 AWG 26 AWG 28								<b>AWG22</b> <b>AWG24</b> <b>AWG26</b> <b>AWG28</b>

Drawing

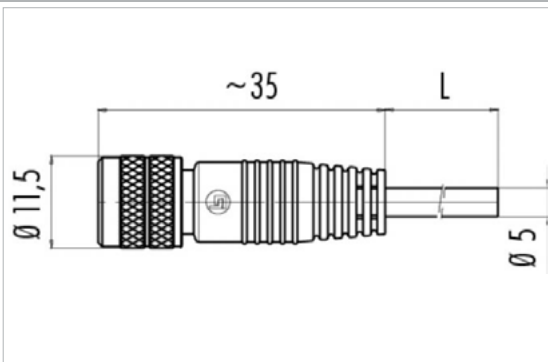
STK M8 3/8/12POL IP67 G NS 2M



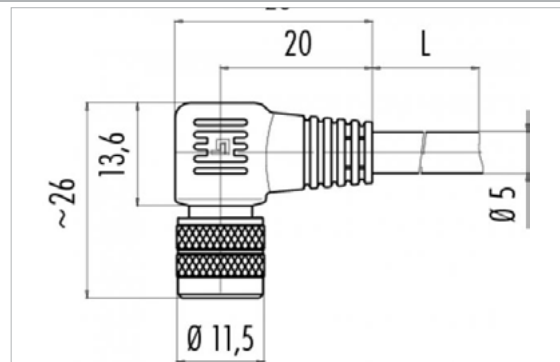
STK M8 3/8/12POL IP67 W NS 2M



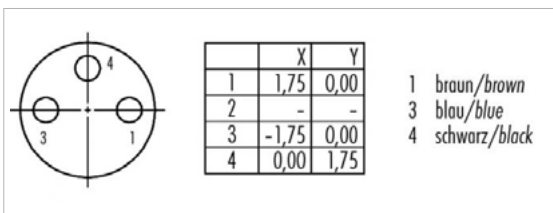
STK M8 3POL IP67 G GS 2M AWG22



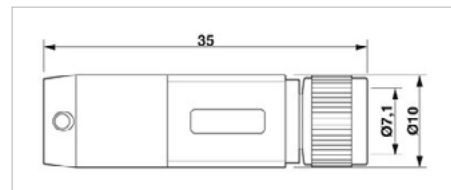
STK M8 3POL IP67 W GS 2M AWG22



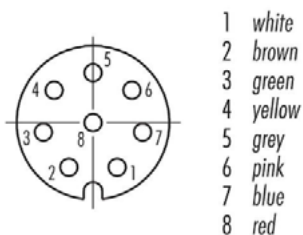
Contact arrangement 3-pole



STK M8 3POL IP67 G GS 1,5M AWG24  
STK M8 8POL IP67 G GS 1,5M AWG26



Contact arrangement 8-pole



Contact arrangement 12-pole

