

Data Sheet for sensor accessories

Connector M16 with cable

Series STKM16



Illustration similar

The connectors with cable are female straight or angled connectors with M16 thread, AWG 24.

- 5 pol.
- Straight or angled
- IP67
- Shielded

Electrical data	5 pole
Rated current (40 °C)	3 A
Rated voltage	250 V
Rated impulse voltage	1500 V
Volume resistivity	≤ 3 mΩ
Insulation resistance	≥ 10 ¹⁰ Ω
EMC compliance	Shielded

General characteristics, materials	5 pole
Connector design	female straight or angled cable connector
Connector locking system	bolted
Termination	moulded on cable
Wire gauge (mm)	0.25 mm ²
Wire gauge (AWG)	24
Cable diameter	5.3 mm
Operational temperature	-25 °C up to +70 °C
Protection grade (IEC60529)	IP67
Mechanical operation	> 500 mating cycles
Contact material	CuSn (bronze)
Contact plating	Au (Gold)
Contact body material	PBT (UL 94 V-0)
Housing material	PUR
Sheath material	PUR
Single-lead insulation	PE
Single-lead structure	14 x 0.15 mm

Data Sheet for sensor accessories

Connector M16 with cable

Series STKM16

Order Code

Description	Selection: standard=black/bold , possible <i>options=grey/italic</i>							
Series:	STK							
Thread: M16		M16						
Contact arrangement: 5 pole			5POL					
Degree of protection: IP67				IP67				
Connector: Straight Angled					G W			
EMC compliance: Shielded						GS		
Cable length: 2 meter							2M	
Wire gauge (AWG): AWG 24								AWG24

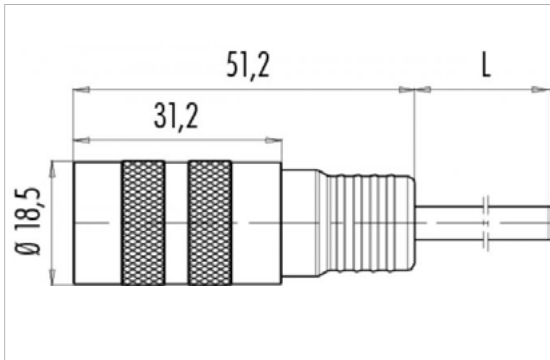
Data Sheet for sensor accessories

Connector M16 with cable

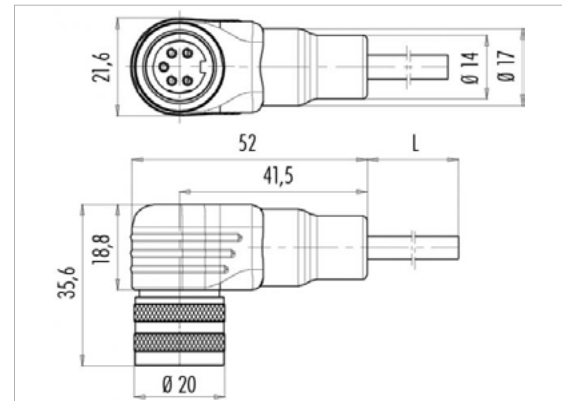
Series STKM16

Drawing

STK M16 5POL IP67 G GS 2M AWG24



STK M16 5POL IP67 W GS 2M AWG24



Contact arrangement 5 pole

