

Data Sheet for sensor accessories

Connector M9 without cable

Series STEM9



Illustration similar

The connectors without cable are female straight or angled connectors with M9 thread.

- 4 pol., 5 pol., 7 pol.
- Angled / straight
- IP40 / IP67
- not shieldable

Electrical data	4 pole	5 pole	7 pole
Rated current (40 °C)	3 A		1 A
Rated voltage	125 V		
Rated impulse voltage	1500 V		
Volume resistivity	≤ 3 mΩ		
Insulation resistance	≥ 10 ⁸ Ω		
EMC compliance	not shieldable		

General characteristics, materials	4 pole	5 pole	7 pole
Connector design	female straight connector / female angled connector		
Connector locking system	bolted		
Termination	solder		
Wire gauge (mm)	0,25 mm ²		0,14 mm ²
Wire gauge (AWG)	24		26
Cable outlet	3,5 .. 5,0 mm		4 .. 5,0 mm
Operational temperature	-40 °C..+85 °C		
Protection grade (IEC60529)	IP67		IP40
Mechanical operation	> 500 mating cycles		
Contact material	CuSn (bronze)		
Contact plating	Au (gold)		
Contact body material	PA (UL 94 V-0)		
Housing material	PA/CuZn (Nickel-plated brass)		PA

Data Sheet for sensor accessories

Connector M9 without cable

Series STEM9

Order Code

Description	Selection: standard=black/bold, possible options=grey/cursive					
Series:	STE					
Thread: M9		M9				
Contact arrangement: 4 pole 5 pole 7 pole			4POL 5POL 7POL			
Degree of protection: IP40 IP67				IP40 IP67		
Connector: Straight Angled					G W	
EMC compliance: Not shieldable						NS

Please note:

We provide connectors only in conjunction with a sensor unit. Please ask for your desired connector if it is not listed. Please note, a minimum order quantity may apply for unlisted connectors.

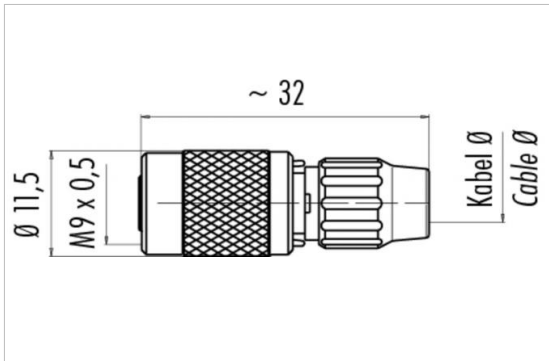
Data Sheet for sensor accessories

Connector M9 without cable

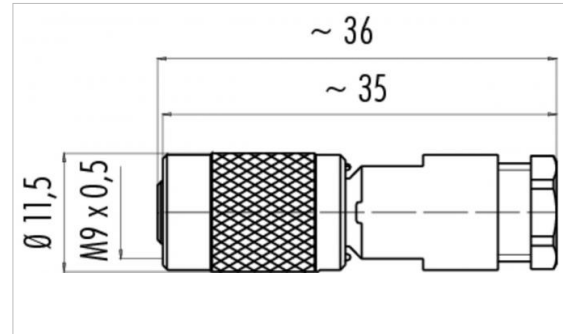
Series STEM9

Drawing

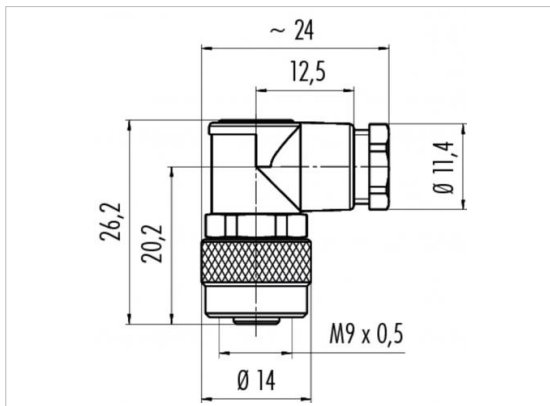
STE M9 7POL IP40 G NS



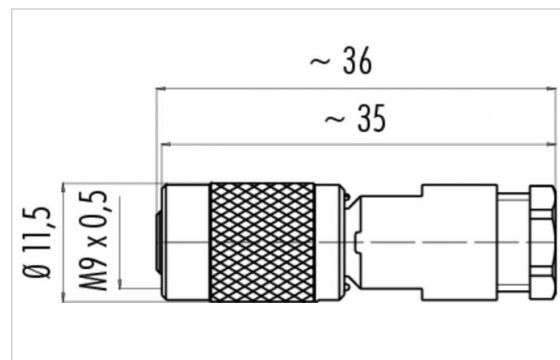
STE M9 5POL IP67 G NS



STE M9 5POL IP67 W NS



STE M9 4POL IP67 G NS



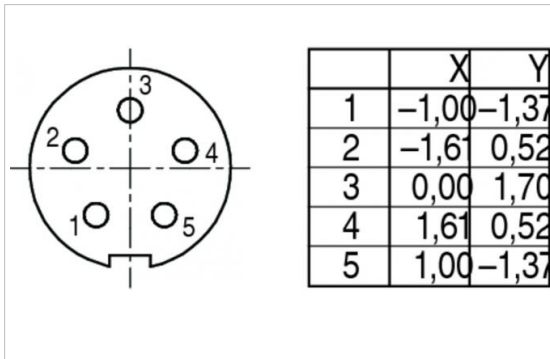
Data Sheet for sensor accessories

Connector M9 without cable

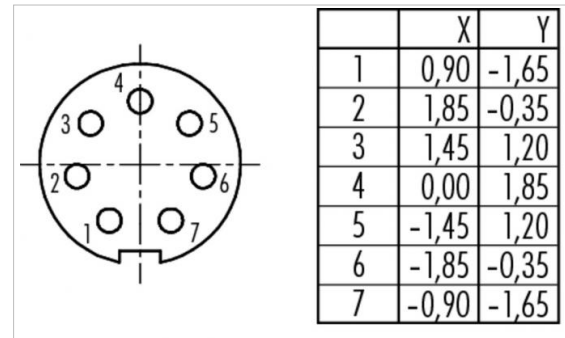
Series STEM9

Drawing

Contact arrangement 5 pole



Contact arrangement 7 pole



Contact arrangement 4 pole

