

Data Sheet for sensor accessories

Connector M16 without cable

Series STEM16

The connectors without cable are female straight or angled connectors with M16 thread.



Illustration similar

- 5 pol., 7 pol.
- Angled / straight
- IP40 / IP67
- shieldable / not shieldable

Electrical data	5 pole	6 pole
Rated current (40 °C)	6 A	5 A
Rated voltage	250 V	
Rated impulse voltage	1500 V	
Volume resistivity	≤ 5 mΩ	
Insulation resistance	≥ 10 ¹⁰ Ω	
EMC compliance	shieldable / not shieldable	

General characteristics, materials	5 pole	6 pole
Connector design	female straight connector / female angled connector	
Connector locking system	bolted	
Termination	solder	
Wire gauge (mm)	0,75 mm ²	
Wire gauge (AWG)	20	
Cable outlet	4,0 .. 6,0 mm	
Operational temperature	-30 °C..+85 °C	
Protection grade (IEC60529)	IP40 / IP67	
Mechanical operation	> 500 mating cycles	
Contact material	CuSn (bronze)	
Contact plating	Ag (silver)	
Contact body material	PA (UL 94 V-0)	

Data Sheet for sensor accessories

Connector M16 without cable

Series STEM16

Order Code

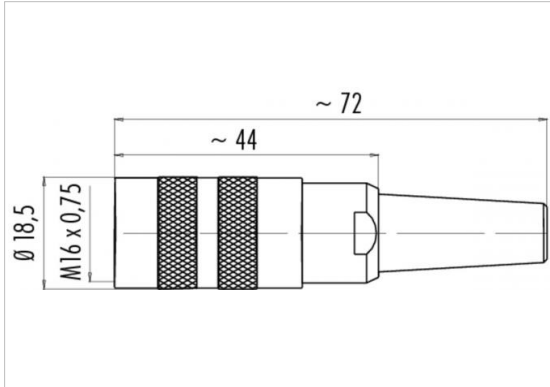
Description	Selection: standard=black/bold, possible options=grey/cursive					
Series:	STE					
Thread: M16		M16				
Contact arrangement: 5 pole 6 pole			5POL 6POL			
Degree of protection: IP40 IP67				IP40 IP67		
Connector: Straight Angled					G W	
EMC compliance: Shieldable Not shieldable						S NS

Please note:

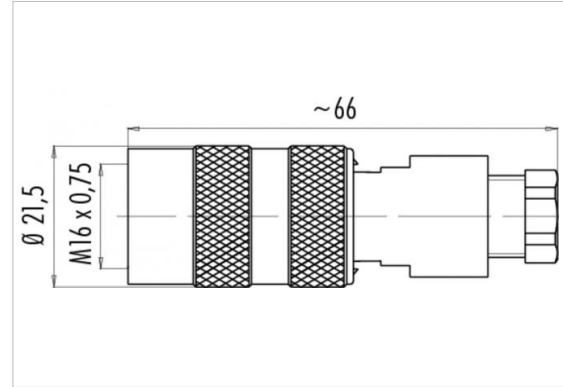
We provide connectors only in conjunction with a sensor unit. Please ask for your desired connector if it is not listed. Please note, a minimum order quantity may apply for unlisted connectors.

Technische Zeichnung

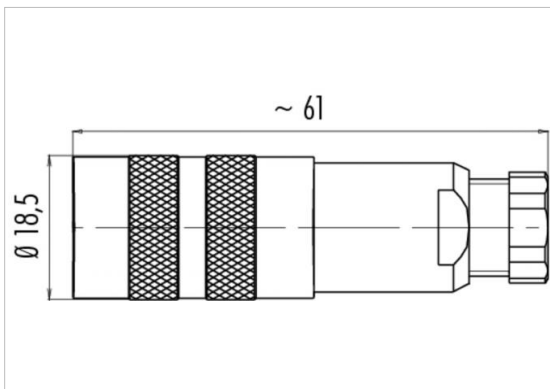
STE M16 5POL IP40 G S



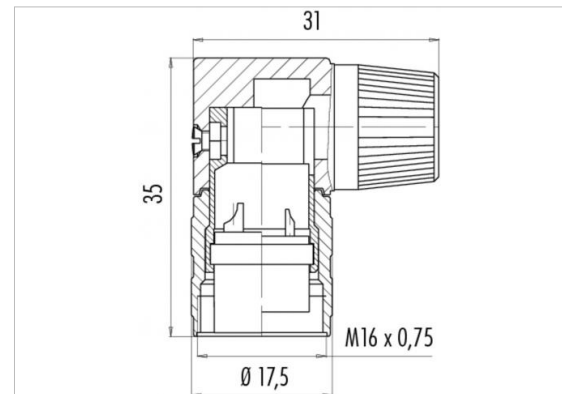
STE M16 5POL IP67 G NS



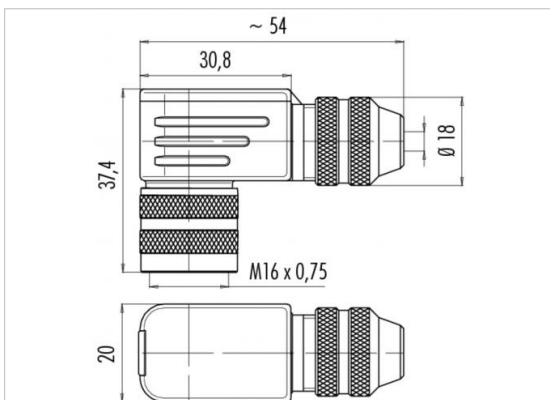
STE M16 5POL IP67 G S (UL certification)



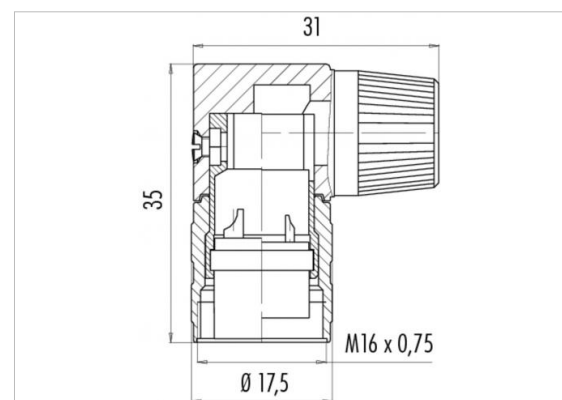
STE M16 5POL IP40 W NS



STE M16 5POL IP67 W S (UL certification)



STE M16 6POL IP40 W NS



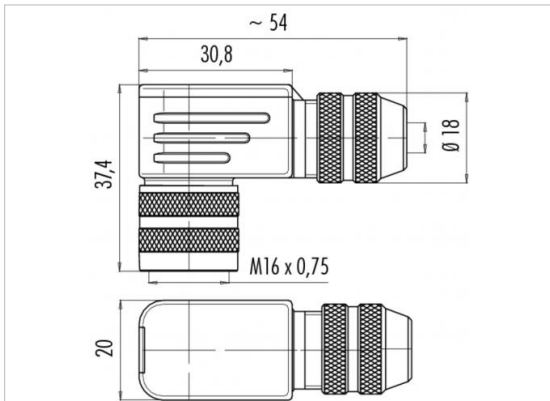
Data Sheet for sensor accessories

Connector M16 without cable

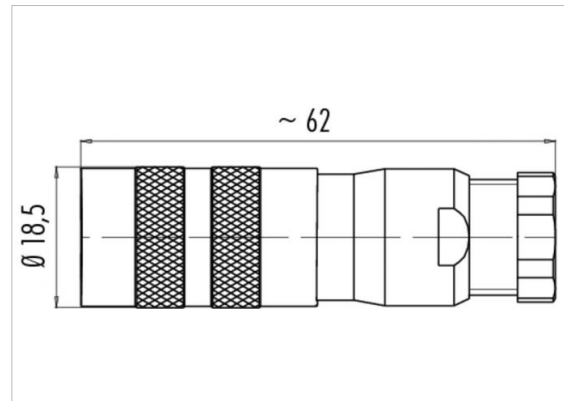
Series STEM16

Drawing

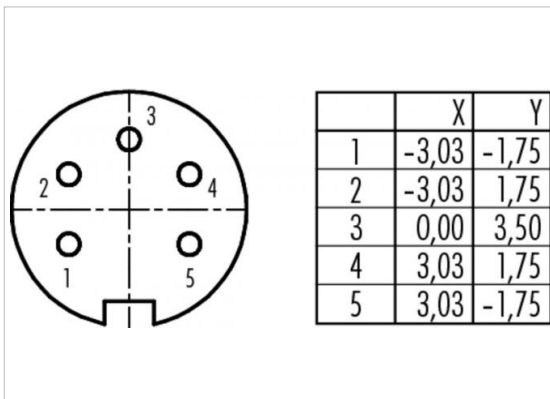
STE M16 6POL IP67 W S (UL certification)



STE M16 6POL IP67 G S (UL certification)



Contact arrangement 5 pole



Contact arrangement 6 pole

