

# Data Sheet for sensor accessories

Connector M12 without cable

Series STEM12

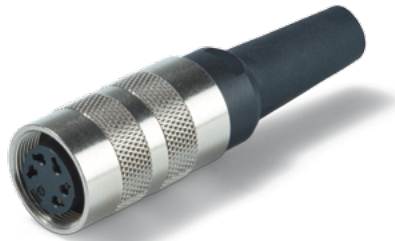


Illustration similar

The connectors without cable are female straight or angled connectors with M12 thread.

- 4 pol., 5 pol.
- Angled / straight
- IP67
- shieldable / shielded

Electrical data	4 pole	5 pole
Rated current (40 °C)	4 A (3 A UL)	
Rated voltage	250 V	60 V
Rated impulse voltage	1500 V	
Volume resistivity	≤ 3 mΩ	
Insulation resistance	≥ 10 <sup>8</sup> Ω	
EMC compliance	shieldable / shielded	

General characteristics, materials	4 pole	5 pole
Connector design	female straight connector / female angled connector	
Connector locking system	bolted	
Termination	screw clamp	
Wire gauge (mm)	0,75 mm <sup>2</sup>	
Wire gauge (AWG)	18	
Cable outlet	4,0 .. 6,0 mm	
Operational temperature	-40 °C..+85 °C	
Protection grade (IEC60529)	IP67	
Mechanical operation	> 100 mating cycles	
Contact material	CuZn (brass)	
Contact plating	Au (gold)	
Contact body material	PA	
Housing material	Zinc die-cast nickel-plated	

# Data Sheet for sensor accessories

Connector M12 without cable

Series STEM12

Order Code						
<b>Description</b>	Selection: standard=black/bold, possible options=grey/cursive					
<b>Series:</b>	<b>STE</b>					
<b>Thread:</b> <b>M12</b>		<b>M12</b>				
<b>Contact arrangement:</b> 4 pole 5 pole			<b>4POL</b> <b>5POL</b>			
<b>Degree of protection:</b> <b>IP67</b>				<b>IP67</b>		
<b>Connector:</b> Straight Angled					<b>G</b> <b>W</b>	
<b>EMC compliance:</b> Shieldable Shielded						<b>S</b> <b>GS</b>

**Please note:**

We provide connectors only in conjunction with a sensor unit. Please ask for your desired connector if it is not listed. Please note, a minimum order quantity may apply for unlisted connectors.

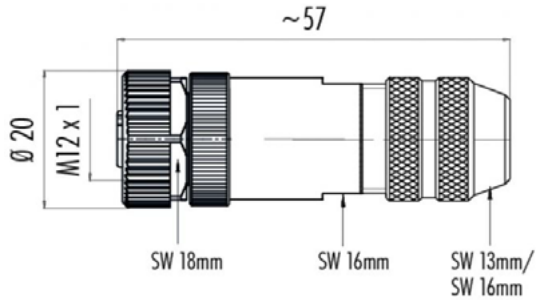
# Data Sheet for sensor accessories

Connector M12 without cable

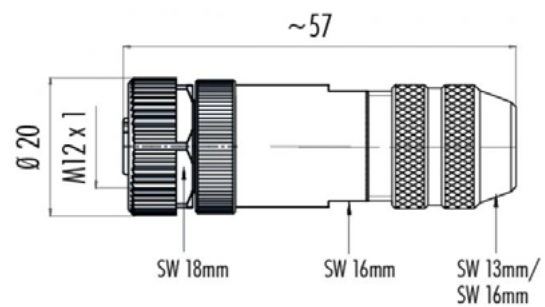
Series STEM12

## Drawing

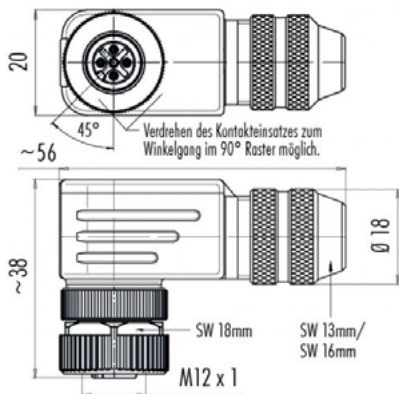
STE M12 4POL IP67 G S (UL certification)



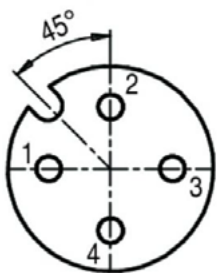
STE M12 5POL IP67 G S (UL certification)



STE M12 5POL IP67 W GS (UL certification)

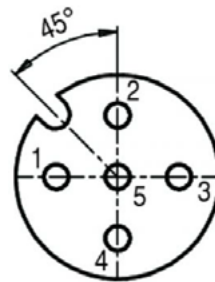


Contact arrangement 4 pole



	X	Y
1	-2,50	0,00
2	0,00	2,50
3	2,50	0,00
4	0,00	-2,50

Contact arrangement 5 pole



	X	Y
1	-2,50	0,00
2	0,00	2,50
3	2,50	0,00
4	0,00	-2,50
5	0,00	0,00

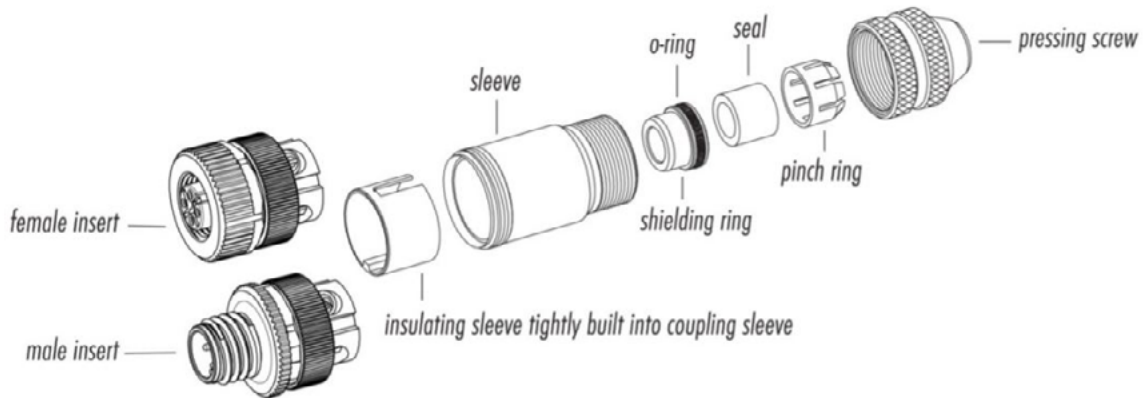
# Data Sheet for sensor accessories

Connector M12 without cable

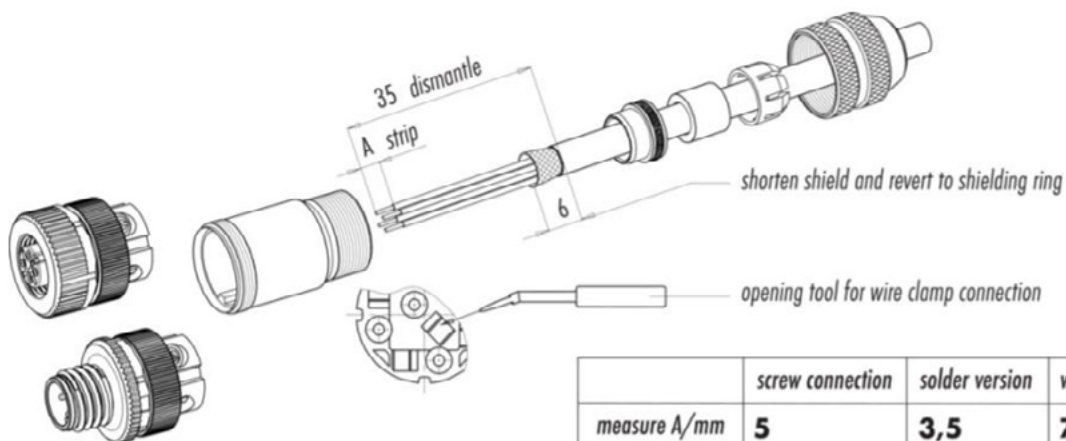
Series STEM12

Assembly instructions STE M12 4/-5-POL IP67 G S

## Component part drawing



## Instructions



	screw connection	solder version	wire clamp connection
measure A/mm	<b>5</b>	<b>3,5</b>	<b>7</b>

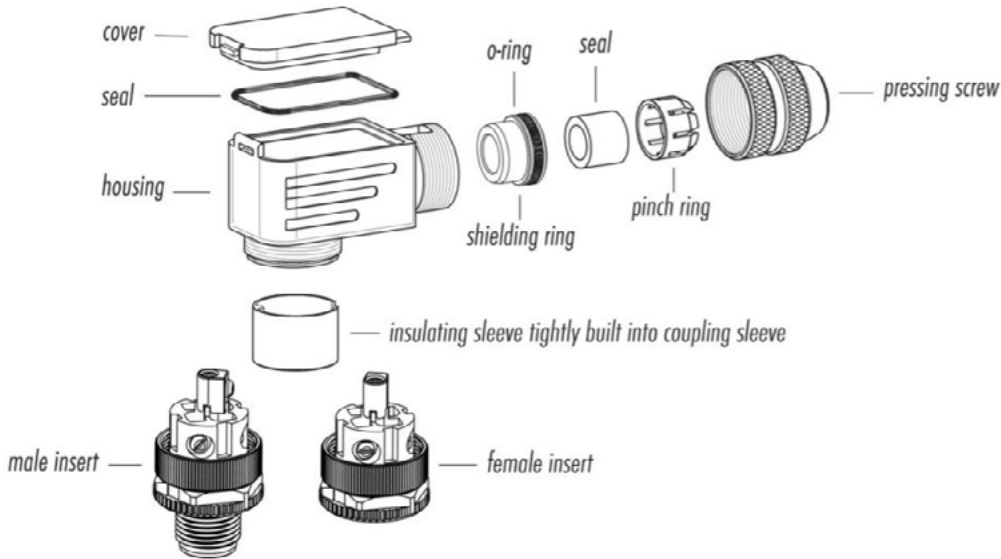
# Data Sheet for sensor accessories

Connector M12 without cable

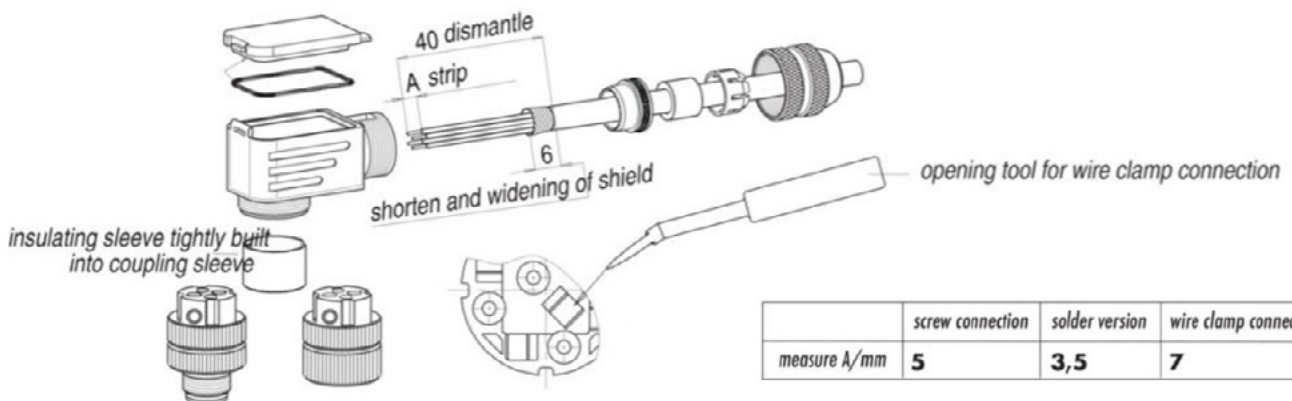
Series STEM12

Assembly instructions STE M12 4/-5-POL IP67 W S

## Component part drawing



## Instructions



	screw connection	solder version	wire clamp connection
measure A/mm	<b>5</b>	<b>3,5</b>	<b>7</b>