

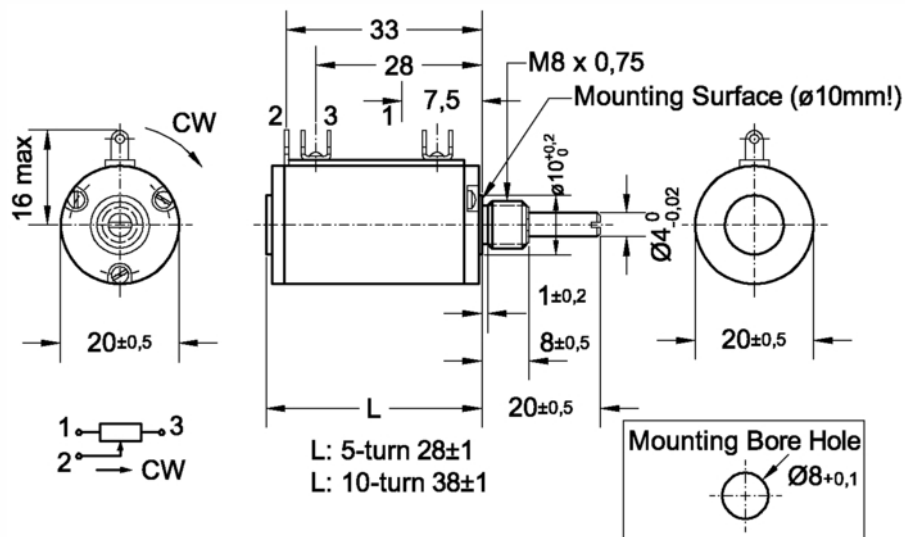
## Series CM501 / CM1001 - Multiturn Wirewound Potentiometer

- Resistance Values: 1 kOhm, 5 kOhm, 10 kOhm and 20 kOhm
- Linearity Tolerance  $\pm 0,5\%$
- Reasonably Priced
- Typ. Lifetime 100.000 Turns

A potentiometer with high-resolution elements, very well-priced.



### Drawing



## Series CM501 / CM1001 - Multiturn Wirewound Potentiometer

Electrical Data	5 Turn	10 Turn
Electrical angle	1800° ± 10	3600° ± 10
Resistance values	1k, 5k, 10k, 20k Ohm	
Resistance tolerance	± 5 %	
Independent linearity tolerance	± 0,5 %	
Noise	< 100 Ohm	
Power at +40°C (0W bei 125°C)	1,5 W	2 W
Wiper current	recommended 0,02 mA / maximum 35 mA	
Insulation resistance	200 MOhm at 500 VDC	

Mechanical Data	5 Turn	10 Turn
Mechanical angle	1800° + 15 -0	3600° + 15 -0
Lifetime	100.000 turns	
Starting torque	< 1 Ncm	
Stopper strength	typical 50 Ncm	
Fastening torque mounting nut	100 Ncm	

Other Data	
Protection class, sealed shaft	IP40
Operating temperature	-30... +85°C
Bearing	Sleeve bearing
Housing material	thermoset
Shaft material	nickel-plated brass
Connection	silver-plated solder lugs
Mounting materials (included in delivery)	hex-nut, washer
Weight	25 g

## Series CM501 / CM1001 - Multiturn Wirewound Potentiometer

### Options and Order Description

Description	Series	Options		
Potentiometer 5 turn, 4 mm shaft	CM501			
Potentiometer 10 turn, 4 mm shaft	CM1001			
Resistance value		<b><i>R1K</i></b> R5K <b><i>R10K</i></b> R20K		
Resistance tolerance $\pm 5\%$			W5%	
Linearity tolerance 0,5%				LO,5%
Example order code:	CM501	R1K	W5%	LO,5%

Standard types (bold, cursive) are available from stock.

The specifications and information in this datasheet cannot consider all special demands that are caused by the application. Because of this, they are no general description of the properties of the product.

05. October 2010. All specifications are subject to change without notice.