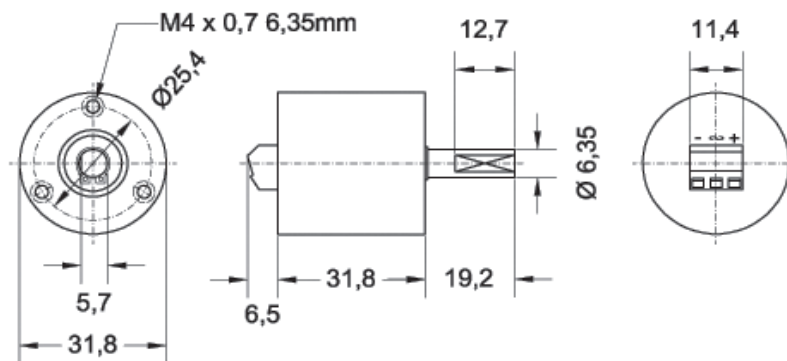


- Resolution 9 bit (512 positions/360°)
- Analog output signal 0-10V
- Miniature absolute encoder ø 32mm
- Operating voltage 12 - 30V
- Two precision ball bearings

According the mechanical angle position (0 - 360°) the M409A gives an analogue output signal of 0 to 10V. Because of the wide range of operating voltage 12 to 30V and the robust aluminium housing the encoder can be used for factory automation as well as other industrial applications.



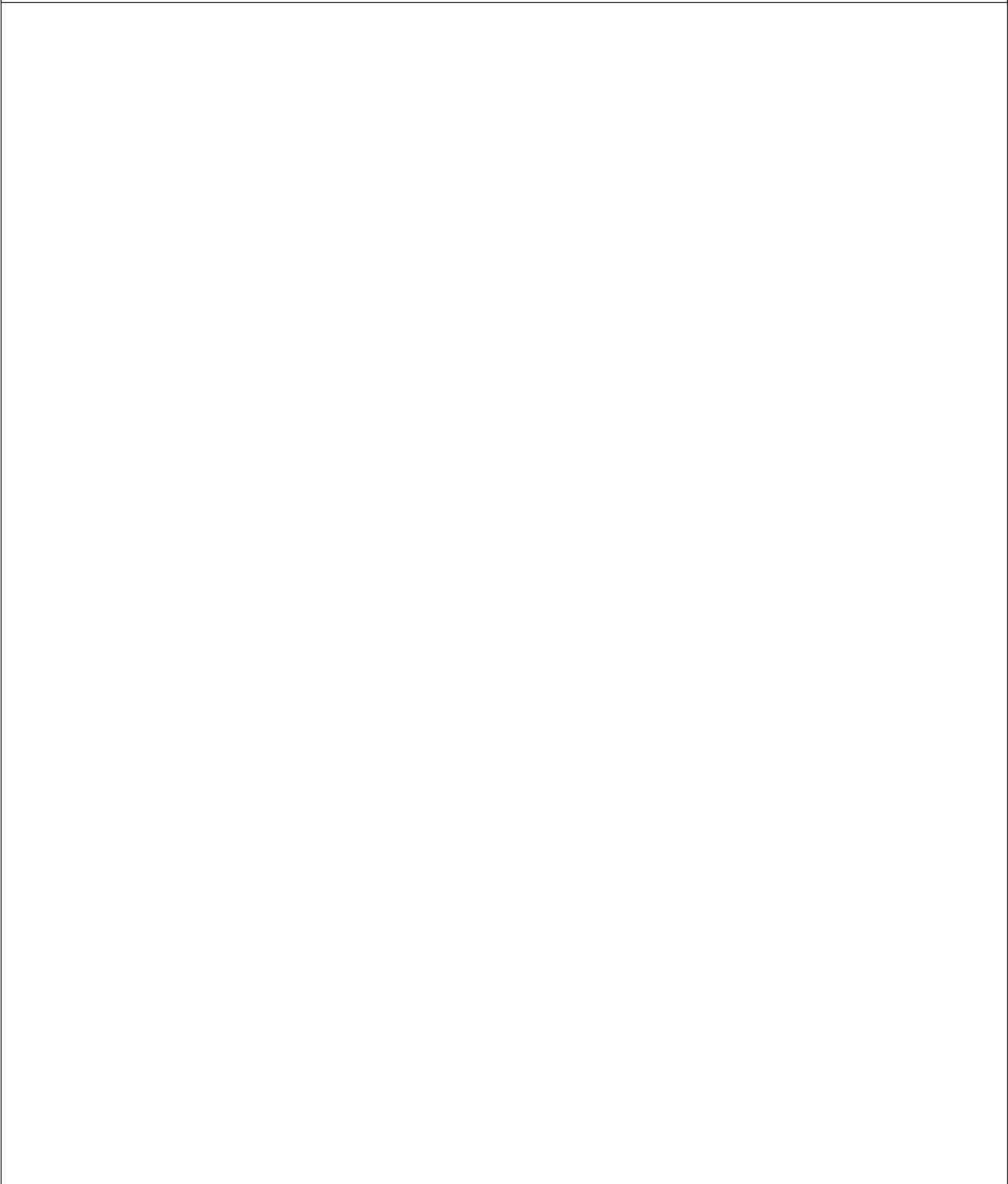
**Drawing and Interfaces**



Terminals:  
 + supply voltage  
 ~ signal output  
 - ground

Electrical Specifications	
Resolution	512 (9 Bit)
Output signal	0 - 10 V
Update-Rate	1 ms
Supply voltage	12 to 30 VDC
Supply current (no load)	<25 mA
Mechanische Daten	
Bearing	ball bearing
Max. mechanical revolution	5000 turns/min.
Angular momentum	10 g cm <sup>2</sup>
Starting torque	< 2 Ncm
Weigth	ca. 200 g
Environmental Specifications and Materials	
Protections grade	IP50
Operating temperature	-40°C..+70°C
Storage temperature	-40°C..+80°C
Housing material	Aluminium
Disc material	Plastic
Vibration strength	10g 10Hz...2000Hz
Shock load	max 30 g 6ms

<b>Order Description:</b> M409A 6,35 (shaft diameter 6,35 mm), M409A 6,0 (shaft diameter 6,0 mm)
<b>We are able to create custom versions, with a reasonable price even in small quantities</b>
Mounting of gear wheels and other mechanical parts. Assembling of cables and connectors.
<b>Please note</b>
All the specifications and information in this datasheet can not consider the special demands that are caused by the application. Because of this, they are no general description of the properties of the product. Please consider also our detail specifications.



**MEGATRON Elektronik AG & Co. • GB MEGATRON Industriesensorik**  
 Hermann-Oberth-Strasse 7 • D-85640 Putzbrunn/München  
 Tel. ++49 89 / 460 94-0 • Fax ++49 89 / 460 94-101 • e-mail: sales@megatron.de • www.megatron.de

