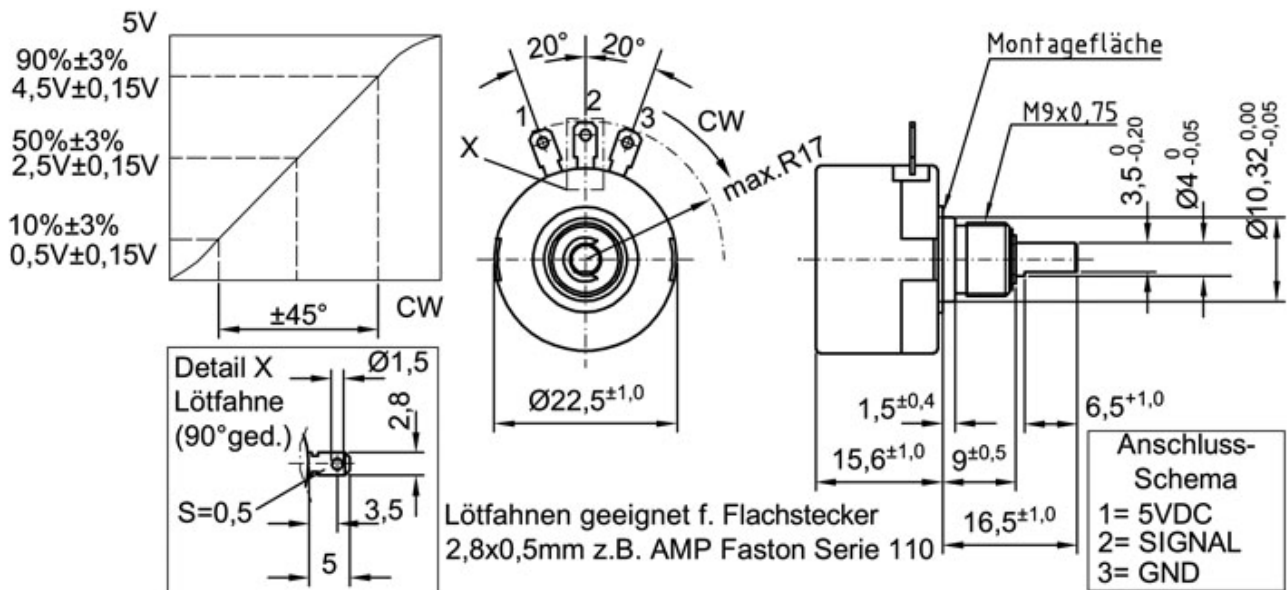


Series MP1545E / MP1545EI - Contactless Potentiometers

- 23 mm housing
- inductive measuring principle
- MP1545E: with central thread
- MP1545EI: with central thread and protection class IP54
- high life cycle: approx. 100 mio. turns
- high reliability
- customer specific adaptation possible



Drawing



Series MP1545E / MP1545EI - Contactless Potentiometers

Electrical Data		MP1545E	MP1545EI
Technology		inductive	
Electrical angle	[°]	± 50 (lin. range)	
Independant Linearity tolerance	[%F.S.]	± 0,5 (FS = 100°)	
Temperature defelction	[%F.S.]	< ± 2,5	
Zero point deflection	[%F.S.]	< ± 0,5	
Supply voltage Ub	[V DC]	5	
Power consumption	[mA]	3,5	
Load resistance	[kOhm]	> 10	
Range of linear voltage output		10 ... 90% Ub	

Mechanical Data		MP1545E	MP1545EI
Mechanical angle	[°]	360	
Maximum rotational speed		40 rpm	
Life cycle		100 mio. turns	
Bearing		Sinter sleeve bearing	
Starting torque	[Nmm]	1	3
Fastening torque mounting nut	[Ncm]	max. 150	

Other Data		MP1545E	MP1545EI
Housing material		Plastic	
Shaft material		stainless steel	
Terminals		solder lugs	
Mounting parts (included)		hex nut, lock washer	
Operating temperature	[°C]	-40 ... + 105	
Protection class		IP40	IP54
Weigth	[g]	15	

Series MP1545E / MP1545EI - Contactless Potentiometers

Options and Order Descriptions

Description	Options				
MP1545 plastic housing	MP1545E				
MP1545E protection class IP54 (shaft and housing), rear shaft not possible	MP1545EI				
Rear shaft length (Standard = 6mm)		RA			
Rear shaft \varnothing (Standard = 2mm)			RADM ...		
Front shaft length (Standard = 16,5mm)				A ...	
Front shaft \varnothing (Standard = 4mm)					DM
Example* Standard version	MP1545E				
Example** Special version	MP1545E	RA4	RADM3	A15	DM3
*) Order description standard version:	MP1545E, front shaft length 16.5mm, shaft diameter 4mm				
** *) Order description special version:	MP1545E, rear shaft length 4 mm, rear shaft diameter 3 mm, front shaft length 15 mm, front shaft diameter 3mm				

Please ask for more options.
Standard version ex stock.

Our speciality are custom solutions, for reasonable prices even for small series

On serial demand we offer:

Special angles and shafts, mounting of gear wheels and other mechanical parts, assembling of cables, connectors and more.

Please ask us.

Please note

The specifications and information in this datasheet cannot consider all special demands that are caused by the application. Because of this, they are no general description of the properties of the product. Please also consider our detailed specifications. (Available on request)

04. Mai 2006