

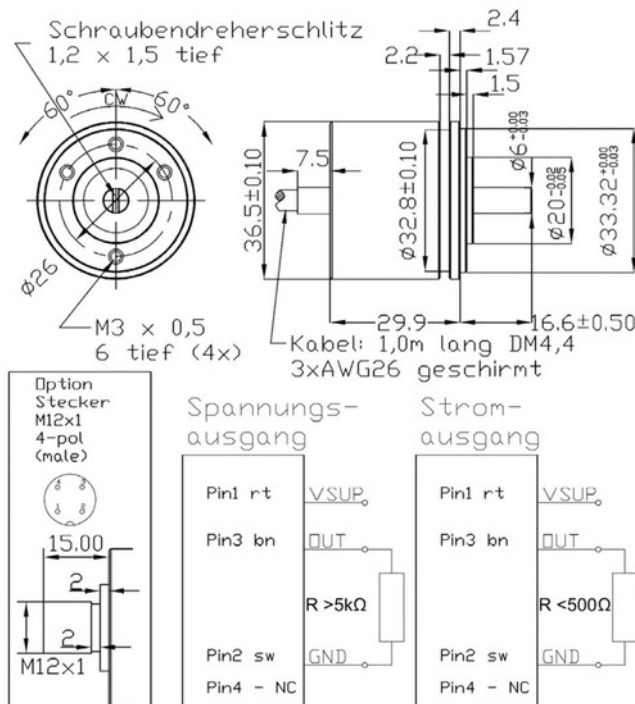
Serie MAB36A / Hall Effect Absolute Encoder

- Angle range 360° (special angles on request)
- 12 Bit resolution
- Analog output: 0-5V, 0-10V, 4-20mA
- Supply voltage: 5V, 24V
- 36 mm housing diameter with servoflange
- Precision ball bearings

When cost effectiveness, rugged operation and versatility are the paramount, then the MAB36A is the ideal solution. 2 precision ball bearings and the magnetic measuring principle are warrants for a high life expectancy.



Drawing



Serie MAB36A / Hall Effect Absolute Encoder

Order Description

Series MAB36A with single electronics	MAB36A					
Resolution / Update Rate						
12 bit / Standard Speed (*)		12 (*)				
12 bit / High Speed		12HS				
Supply voltage / Output signal						
5 V / 0...5 V			0505 (*)			
24 V (9...30 V) / 0...5 V			2405 (*)			
24 V (15...30 V) / 0...10 V			2410			
24 V (9...30 V) / 4...20 mA			2442			
24 V (9...30 V) / 0...20 mA			2420 (*)			
Counterclockwise rising signal				CCW360 (*)		
Other electrical effective angle				C(C)Wxxx (*)		
Clockwise rising signal; 360°, zero point alignment					N	
Other shaft length [mm]						Axx (*)
Cable output						
Axial - 1 m						-
Round connector M12						M12
Axial [m]						CVxx(*)
Radial [m]						CVRxx(*)

(*) = on request available for projects

Errors and specifications subject to change without notice.

27.10.2016