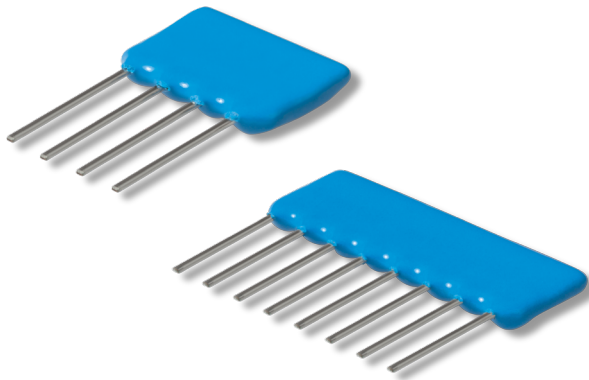


Precision Resistors

Resistor Network

Series MONO



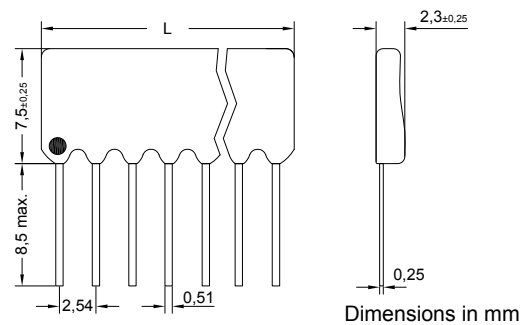
MonoNet

- 3 - 16 Pin Single In-Line Network
- Cost-efficient standard layouts
- Custom-built solutions
- Up to 15 individual resistive elements
- Low-noise, long term stability

MonoPac

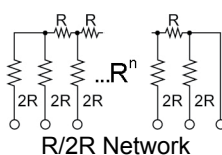
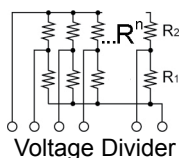
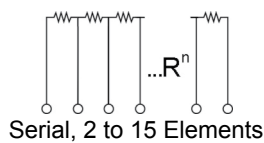
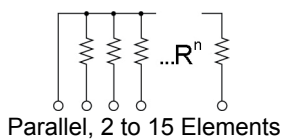
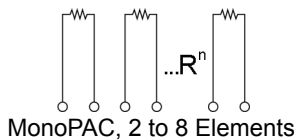
- 4 - 16 Pin SIP isolated resistors
- Space-saving assemblies
- Up to 8 individual resistive elements
- Low-noise, long term stability

Mechanical Data	
Material	NiCr
Substrate Material	Alumina
Body	Epoxy - coated
Terminals	Copper
Plating	Tin
Storage Temperature Range	-55°C to +125°C



Number of Pins	3	4	5	6	7	8	9	10	11	12	13	14	15	16
Length L in mm (±0,5)	7,6	10,2	12,7	15,0	17,7	20,3	22,8	25,4	27,9	30,4	33,0	35,5	38,1	40,6

Standard Circuits



Specification

Standard Resistance Range	100Ω - 100kΩ		
Temperature Coefficient	Tracking	±2ppm	
Temperature Coefficient	Absolute	±5ppm, ±10ppm, ±25ppm	
Resistance Tolerance	Ratio	±0,05% (±0,02% upon request)	
Resistance Tolerance	Absolute	±0,1%, ±0,2%, ±0,5%, ±1%	
Operating Voltage (max.)	100V		
Power Dissipation (max.)	0,1 Watts per element		
Operating Temperature Range	0°C - 70°C		
Insulation Resistance	10.000 MOhm		

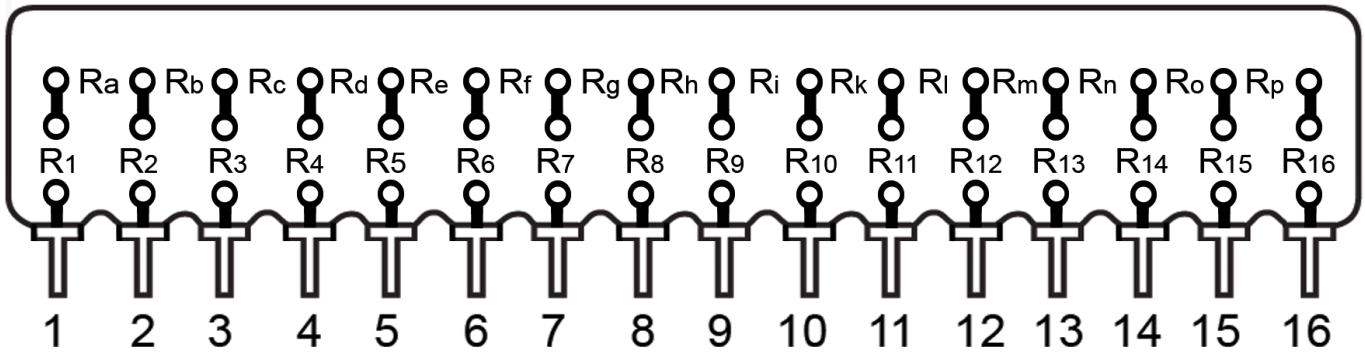
MEGATRON MonoPac and MonoNet are thin film resistor networks in monolithic design with values between 100Ω-100kΩ with very high precision in tracking and ratio matching. They can be supplied in small quantities in our standard circuit designs or made as per your custom design. The special advantage is the freedom to position the resistor elements as per individual requirement without many restrictions. This allows the development engineer to get a very low noise and high stability performance with short lead times. Typical applications are in Analog Circuits, Test and Measuring instruments, Industrial Instrumentation etc.

Please use for your inquiries and application our form or ask our well trained technical staff!

Precision Resistors

Resistor Network

Series MONO

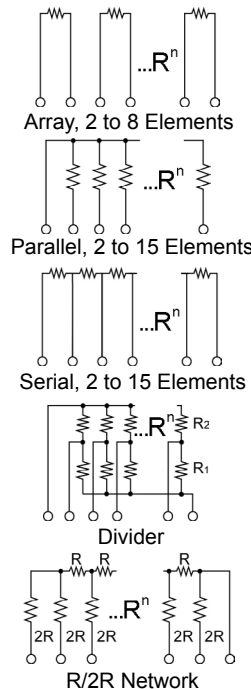


Configuration

- Choice of the typical circuit
- Definition of the number of necessary connections
- Predefinition of the tolerance, absolutely and matching tolerance („-Pac“ resistor elements can be paired if requested to measured sets for a tolerance and TCR performance)
- Definition of the TCR, absolute and tracking
- Definition of the separate resistance values (with „-PAC“ and „chip“ variants different tolerances and temperature coefficients between single resistors are realizable)

Circuit	Number of Pins	TCR absolute	TCR tracking	Tolerance absolute	Tolerance Ratio

	Function o--o/o o	Value (Ω)	Remark (e.g. 5ppm, 0,01%)
R ₁			
R ₂			
R ₃			
R ₄			
R ₅			
R ₆			
R ₇			
R ₈			
R ₉			
R ₁₀			
R ₁₁			
R ₁₂			
R ₁₃			
R ₁₄			
R ₁₅			
R ₁₆			



	Function o--o/o o	Value (Ω)	Remark (e.g. 5ppm, 0,01%)
R _a			
R _b			
R _c			
R _d			
R _e			
R _f			
R _g			
R _h			
R _i			
R _k			
R _l			
R _m			
R _n			
R _o			
R _p			

R₁...R₁₆, R_a...R_p = Position
o--o = closed by element or contact
o o = not connected

Example for an array: R₁= o--o; R_a=10k Ω ; R₂= o--o; R_b= o o;...
Example Parallel: R₁= o--o; R_a=o--o; R₂= 10k Ω ; R_b= o--o;...
Divider: R₁= 1k Ω ; R_a=o--o; R₂= o--o; R_b= o--o; R₃= 1k Ω ;...

With the receipt of this configuration data sheet we immediately create for you a cost offer about prices, least order amounts or if necessary initial costs as well as delivery times.