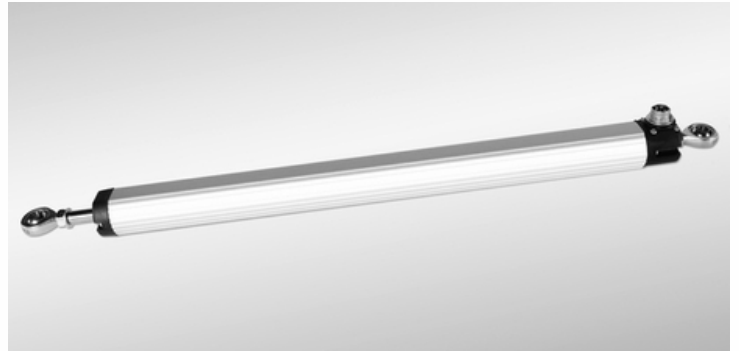


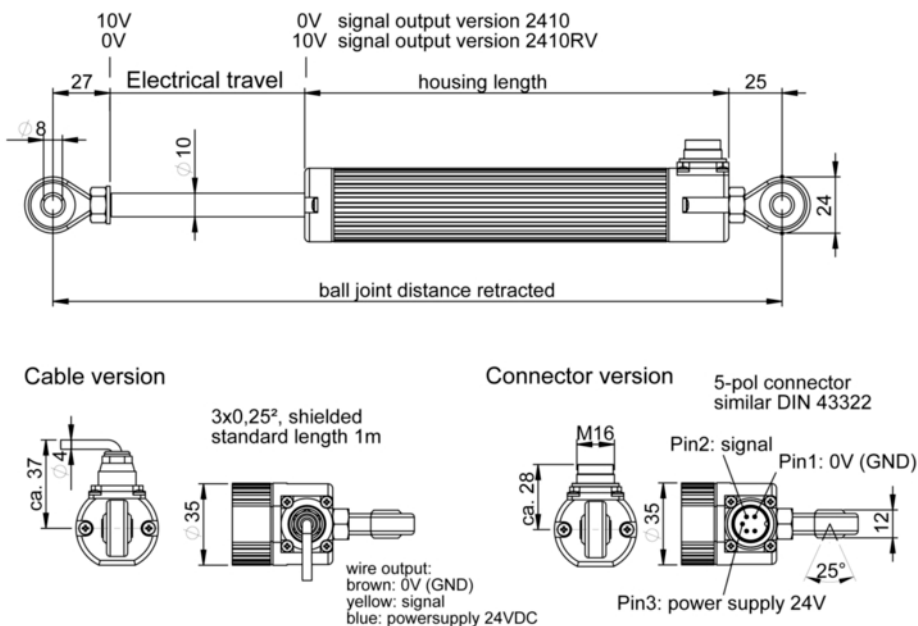
## Serie RC35 E / Potentiometric Transducer with integrated Amplifier

- Electronics:  
Supply voltage 15 - 30V  
Analog output 0-5/10V; 0/4-20mA
- Conductive plastic element, resolution quasi infinite
- Stroke: 50 mm to 750 mm
- Sampling rate 5 m/s
- Protection class IP65
- Robust and compact design



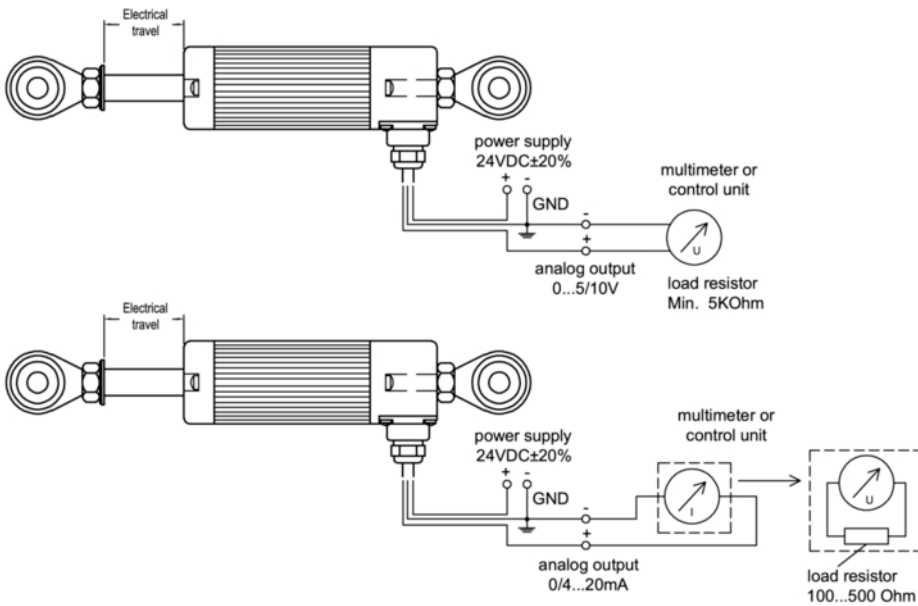
The RC35E linear transducer has a compact and very robust design and is made for heavy duty applications. With his two ball joints the installation position is very flexible. In the housing of the RC35E sensor a signal converter electronic is integrated to provide the typical output signals 0..5/10V and 0/4..20mA. Power supply is  $24V \pm 20\%$ , a special power supply with stabilised voltage is not necessary as for the potentiometric version of the RC35. The installation dimensions has not been changed to the potentiometric version.

### Drawing



# Serie RC35 E / Potentiometric Transducer with integrated Amplifier

## Wiring Diagram



### Dimensions in mm

Electr. Stroke + 1 *	50	100	130	150	175	200	225	275	300	360	375	400	450	500	600	750
Mechan. Stroke ± 1	59	109	139	159	184	210	235	285	310	370	386	412	463	518	619	772
Housing Length	179	229	259	279	304	330	355	405	430	496	512	538	589	664	765	918
Hole Spacing retracted	231	281	311	331	356	382	407	457	482	547,5	564	590	641	716	817	970

\* At the start of the measured displacement (0...2%FS) and at the end (98...100%FS) the linearity can deviate from the data sheet specifications.

### Electrical Data

Independent Linearity Tolerance	± 0,1 %
Resolution [mm]	quasi infinite (integrated electronic works analog)
Sampling Rate	> 1 kHz (integrated electronic works analog)
Repeating Accuracy	10 μm (abstract value) 50 μm (typical)
Operating Voltage	15 V - 30 V
Power Consumption	Voltage Output: 5 mA max. Current Output: 25 mA max.
Load Resistance Voltage Output	3 kOhm min.
Load Resistance Current Output	100 - 500 Ohm
Load Capability	0 - 500 nF
Signal Coefficient	150 ppm/K Voltage Version: typical 50 ppm/K Current Version: typical 100 ppm/K
Insulation Resistance	> 100 MOhm at 500 VDC
Dielectric Strength	500 Veff. (50 Hz)

# Serie RC35 E / Potentiometric Transducer with integrated Amplifier

## Mechanical Data

Friction	< 10 N max.
Acceleration	5 m/s
Middle Life (axis movements)	> 25 x 10 <sup>6</sup> m or > 100 x 10 <sup>6</sup> movements the smaller value is currently in force
Housing Material	anodized Aluminium Nylon 66 G25
Rod Material	stainless Steel AISI 303

## Ambient Conditions

Operating Temperature	-30 ... + 80 °C
Storage Temperature	-30 ... + 105 °C
Protection Class	IP 65

## Options

- special cable length (standard = 1m)

## Accessories

- Plug 5-pole Type SW61 - Part No. 110 906

## Order Code

Series	Stroke	Version	Protection Type	Electronic
RC35 E	400	S = Connector K = Cable	IP65	<b>2410</b> = 0-10V 2405 = 0-5V 2420 = 0-20mA 2442 = 4-20mA 2410RV = 10V-0 2405RV = 5V-0 2420RV = 20mA-0 2442RV = 20mA-4

Example: RC35 E, stroke 400 mm, connector, protection IP65, electronic 2410 = supply 15V-30V, output 0-10V (10V at extended rod)

The specifications and information in this datasheet cannot consider all special demands that are caused by the application. Because of this, they are no general description of the properties of the product.

08. September 2010. All specifications are subject to change without notice.