



Plastic hand-held housing with battery compartment and protective cover

- For 8 different battery types
- Plastic hand-held housing in 8 different sizes
- Protective cover made of silicone in numerous colours
- Numerous colour combinations possible

The TKC range of handheld enclosures is characterized by the use of different coloured elastic silicone protective covers. The covers provide a non-slip grip and protection against shocks. The combination of enclosure sizes, enclosure colours, protective cover colours and choice of battery compartments results in a very wide range of variants. The plastic enclosures are suitable for use as measuring instruments, test equipment, for data transmission, in medical technology, etc.

Data Housing

Material	ABS UL94-V0
Colour	Dark grey, cream
Protection class	IP40
Operating temperature range	-10 °C up to +60 °C
Battery compartment	With or without AAA x 2, AAA x 3, AAA x 4, AAA x 6, AA x 2, AA x 3, AA x 4, 9V x1
Mounting parts	Included in delivery screws 4 x M 2.6 (steel nickel-plated or black chromated)

Data Silicone Cover

Material	Silicone
Colour	Red, yellow, green, blue, navy blue, dark grey, light grey

Housing Kind	External Dim. with Silicone Cover W x H x L	External Dim. Without Silicone Cover W x H x L	Mass
115	74 x 24 x 120 mm	69 x 19.5 x 115 mm	ca. 115 g
115H	74 x 32.5 x 120 mm	69 x 28 x 115 mm	ca. 140 g
135	81 x 32 x 141 mm	76 x 27 x 135 mm	ca. 175 g
135H	81 x 40 x 141 mm	76 x 35 x 135 mm	ca. 195 g
145	101 x 32 x 151 mm	96 x 27 x 145 mm	ca. 215 g
145H	101 x 40 x 151 mm	96 x 35 x 145 mm	ca. 240 g
165	85 x 32 x 171 mm	80 x 27 x 165 mm	ca. 210 g
165H	85 x 40 x 171 mm	80 x 35 x 165 mm	ca. 230 g

Data sheet for Plastic Housing

Electronics plastic housing

Series TKC

Order Code

Description

Selection: **standard=black/bold**, possible *options=grey/italic*

Series:	TKC				
External dim. without silicone cover					
W x H x L(D):					
69 x 19,5 x 115 mm		115	N/A2/A3		
69 x 28 x 115 mm		115H	N/A2/A3/B2/9V		
76 x 27 x 135 mm		135	N/A4/B2/B3/9V		
76 x 35 x 135 mm		135H	N/A4/B2/B3/9V		
96 x 27 x 145 mm		145	N/A6/B2/B4		
96 x 35 x 145 mm		145H	N/A6/B2/B4		
80 x 27 x 165 mm		165	N/B4		
80 x 35 x 165 mm		165H	N/B4		
Battery compartment:					
Without = N					
for AAA x 2 = A2					
for AAA x 3 = A3					
for AAA x 4 = A4					
for AAA x 6 = A6					
for AA x 2 = B2					
for AA x 3 = B3					
for AA x 4 = B4					
for 9V x 1 = 9V					
			See above for conditions. Please choose a variant		
Housing colour:					
Dark grey				D	
Cream				C	
Colour silicone cover:					
Red					R
Green					G
Blue					B
Dark grey					D
Light grey					L

Data sheet for Plastic Housing

Electronics plastic housing

Series TKC

Battery Type

Type	N None	A2 AAA x 2	A3 AAA x 3	A4 AAA x 4	A6 AAA x 6	B2 AA x 2	B3 AA x 3	B4 AA x 4	9V 9V x 1
Battery compartment									

Color Type

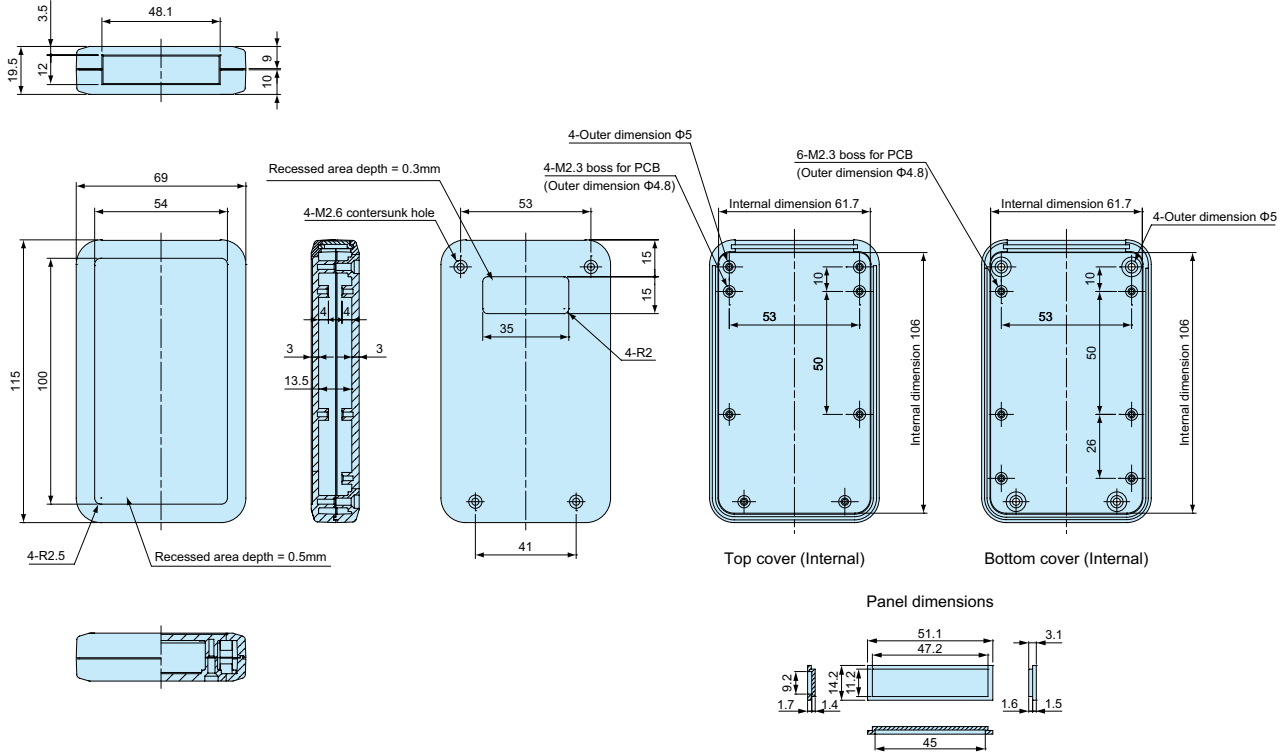
	Dark gray / Red	Dark gray / Green	Dark gray / Blue	Dark gray / Dark gray	Dark gray / Light gray
Color					
	Off-white / Red	Off-white / Green	Off-white / Blue	Off-white / Dark gray	Off-white / Light gray
Color					

Data sheet for Plastic Housing

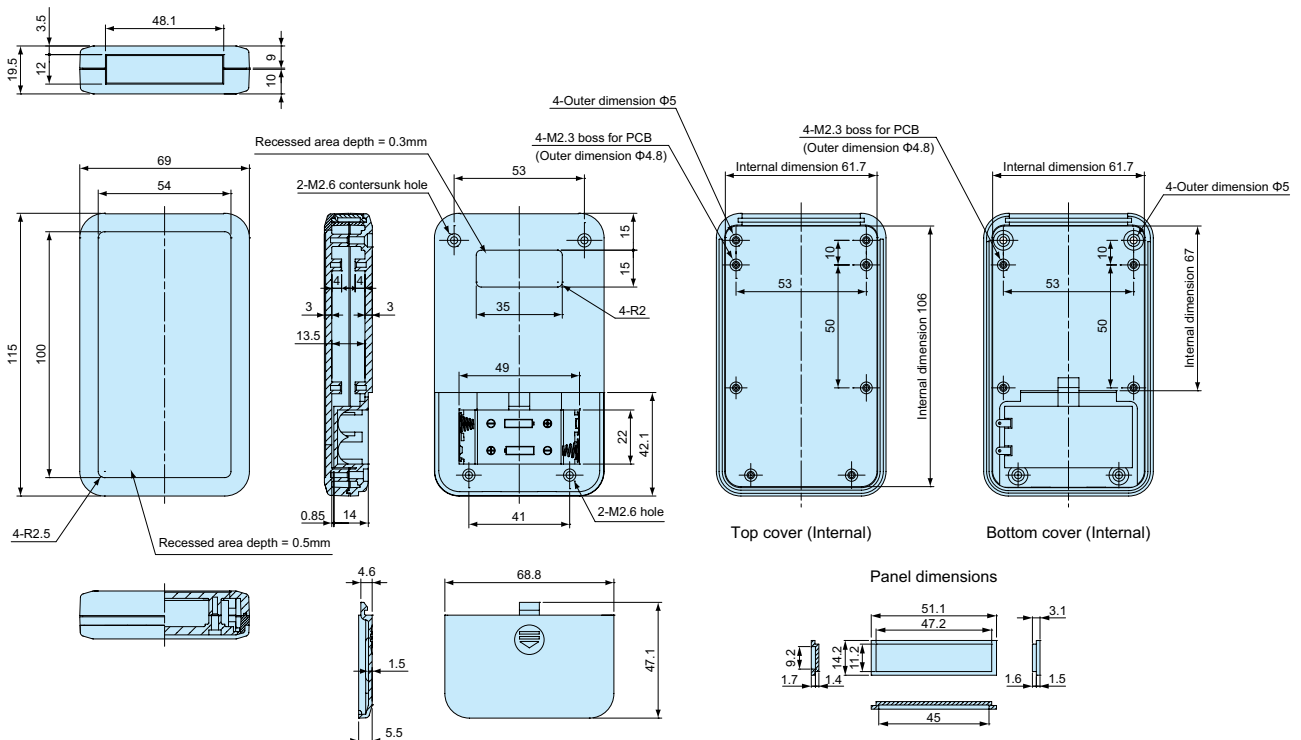
Electronics plastic housing

Series TKC

Drawing TKC 115 N



Drawing TKC 115 A2

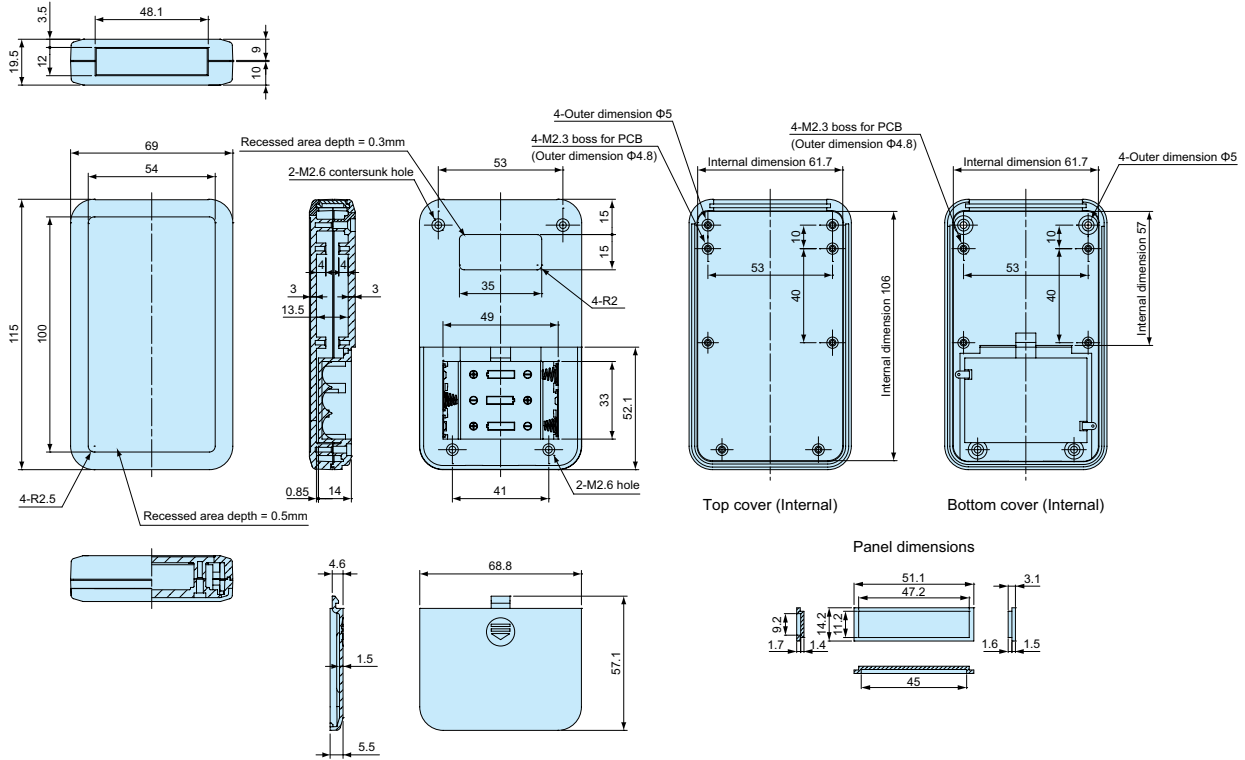


Data sheet for Plastic Housing

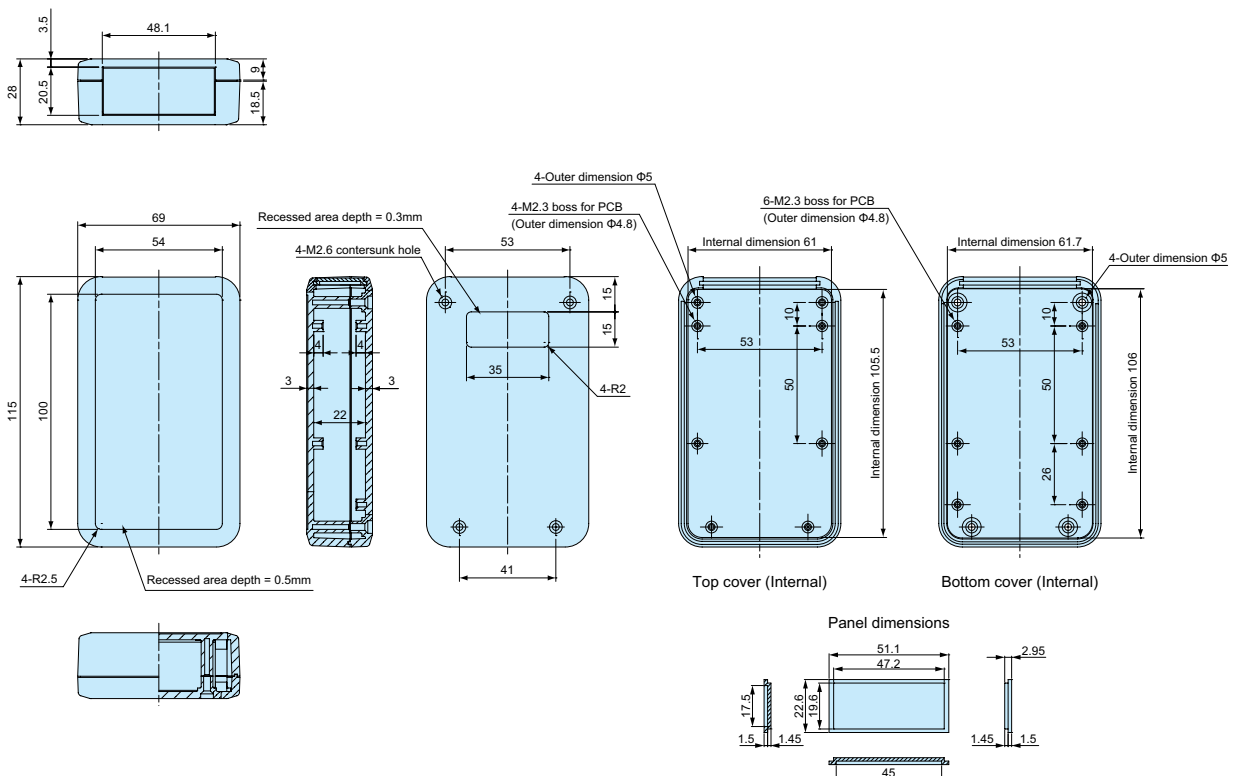
Electronics plastic housing

Series TKC

Drawing TKC 115 A3



Drawing TKCH 115 N

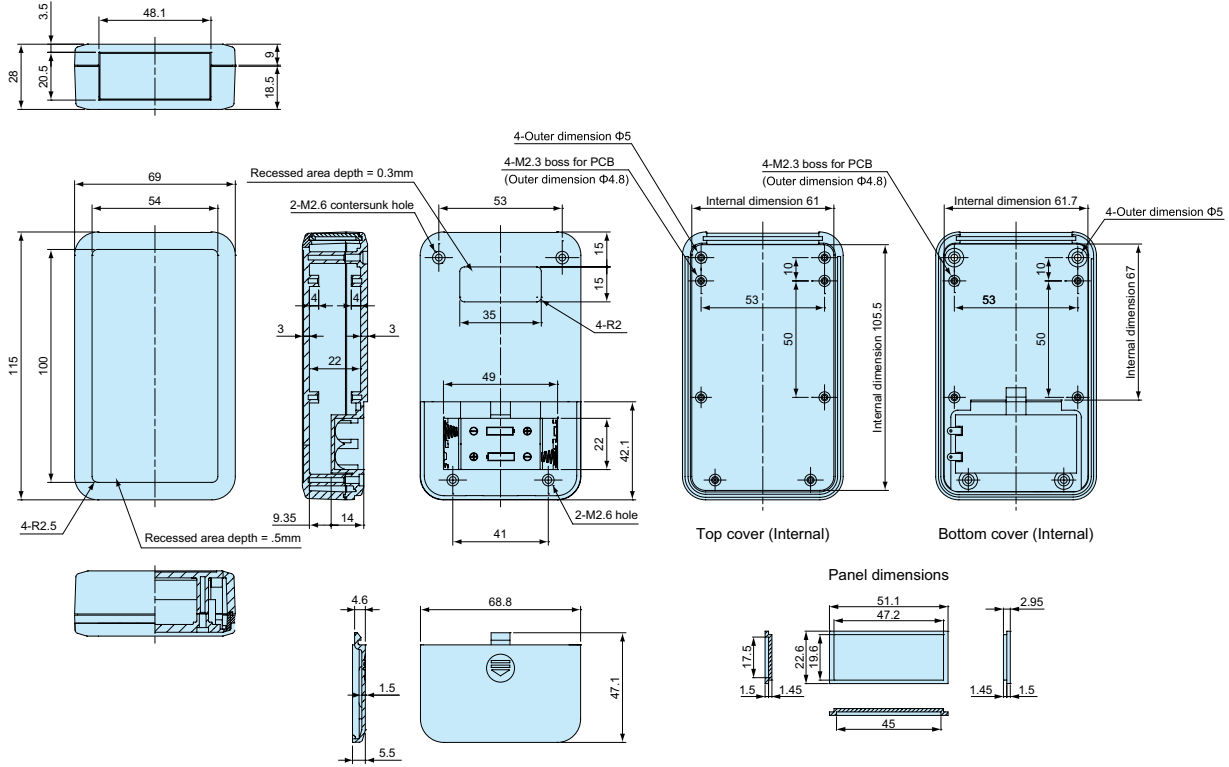


Data sheet for Plastic Housing

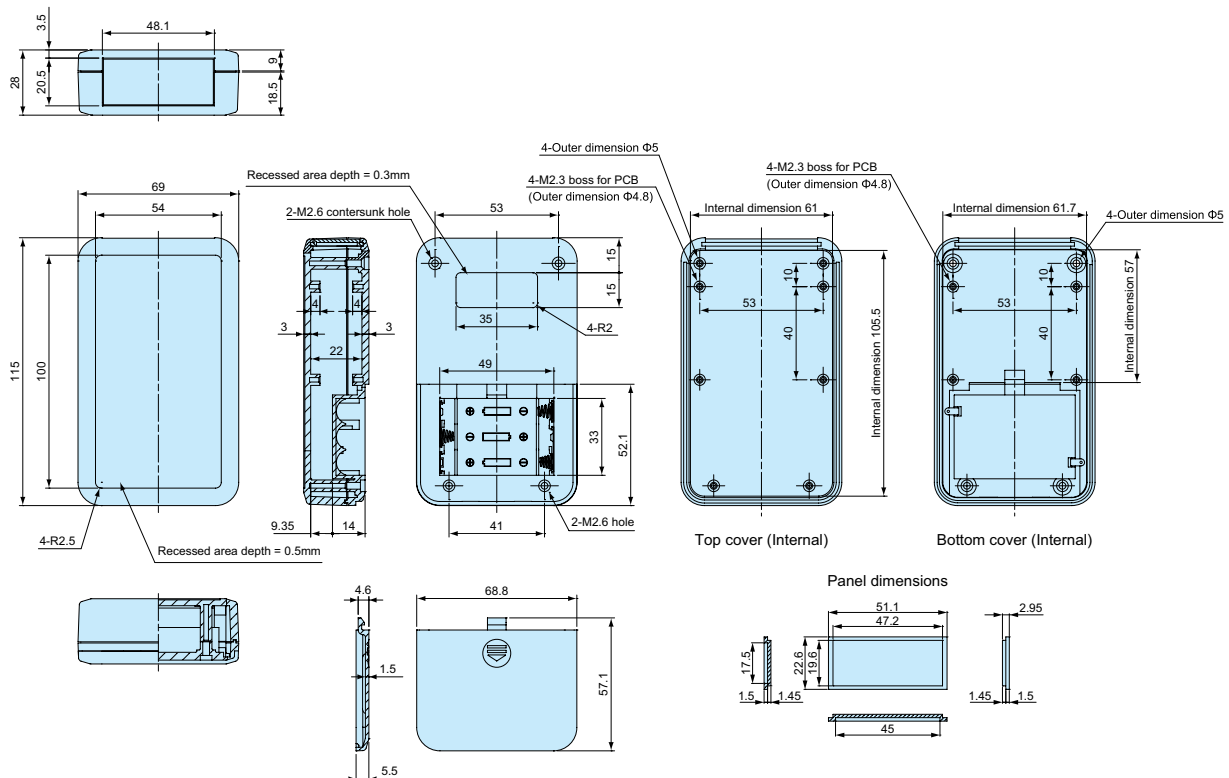
Electronics plastic housing

Series TKC

Drawing TKCH 115 A2



Drawing TKCH 115 A3

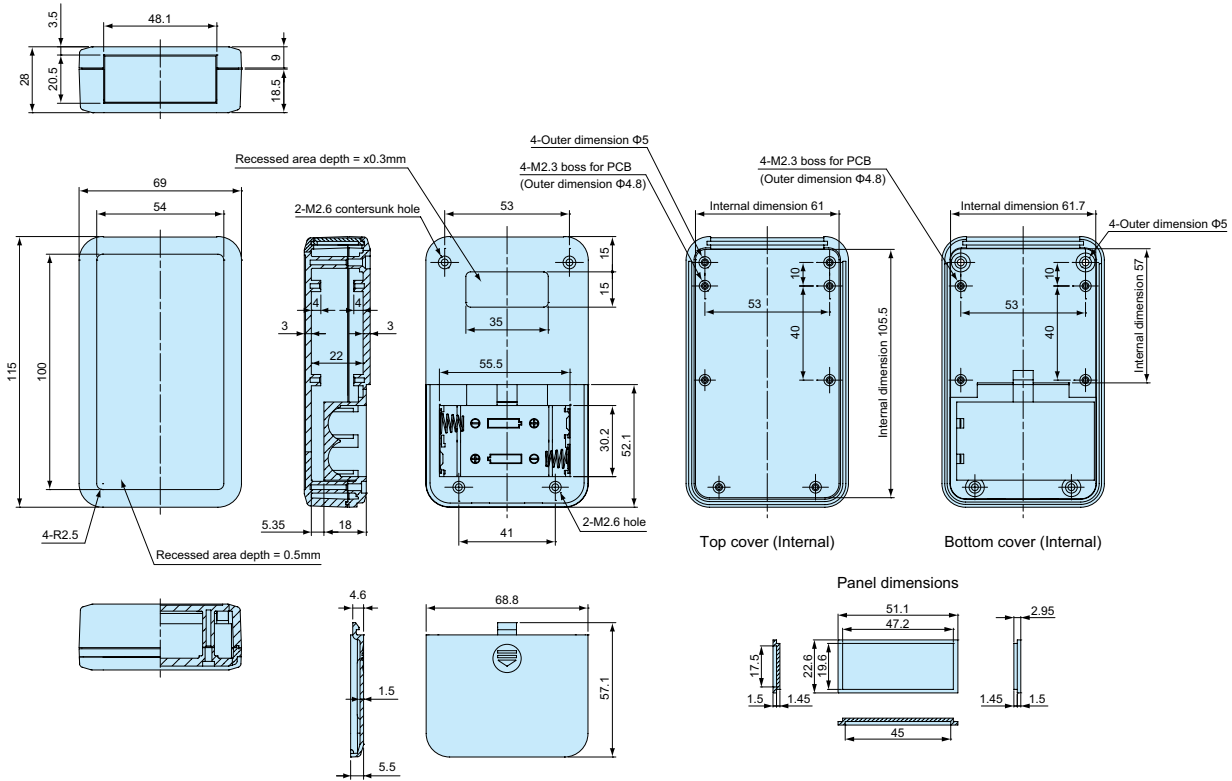


Data sheet for Plastic Housing

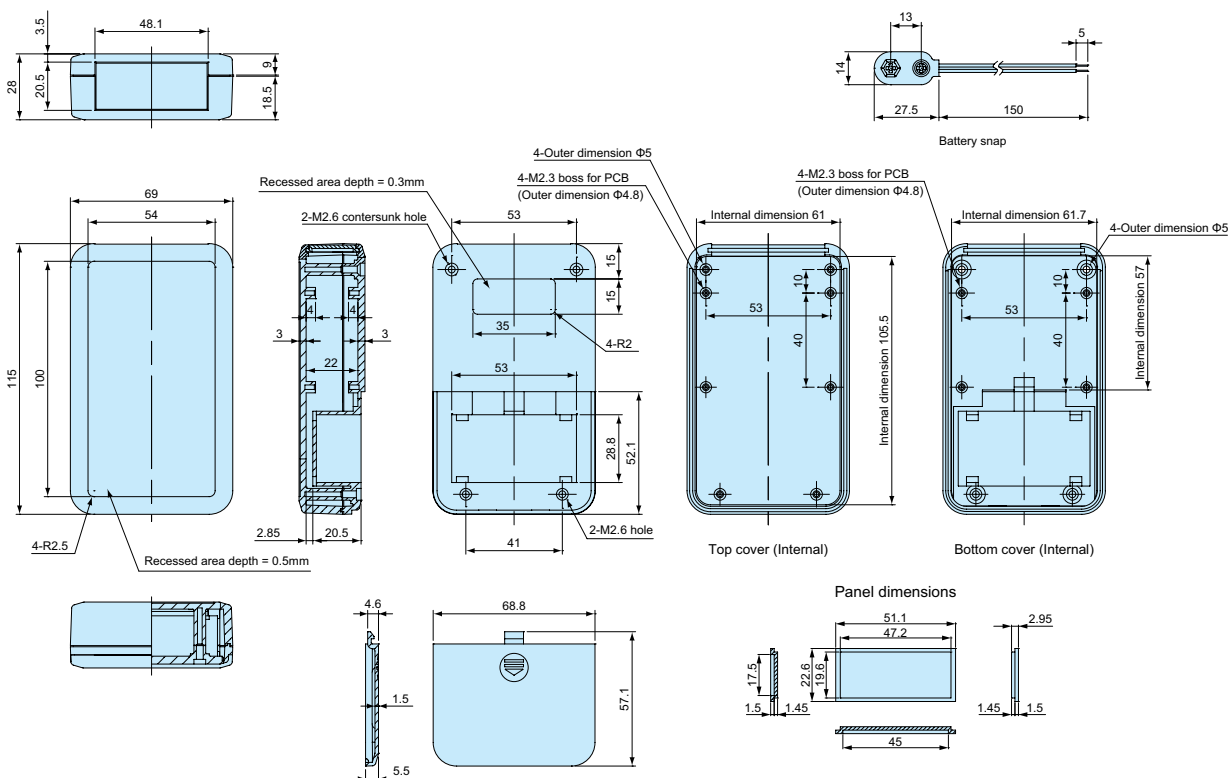
Electronics plastic housing

Series TKC

Drawing TKCH 115 B2



Drawing TKCH 115 9V

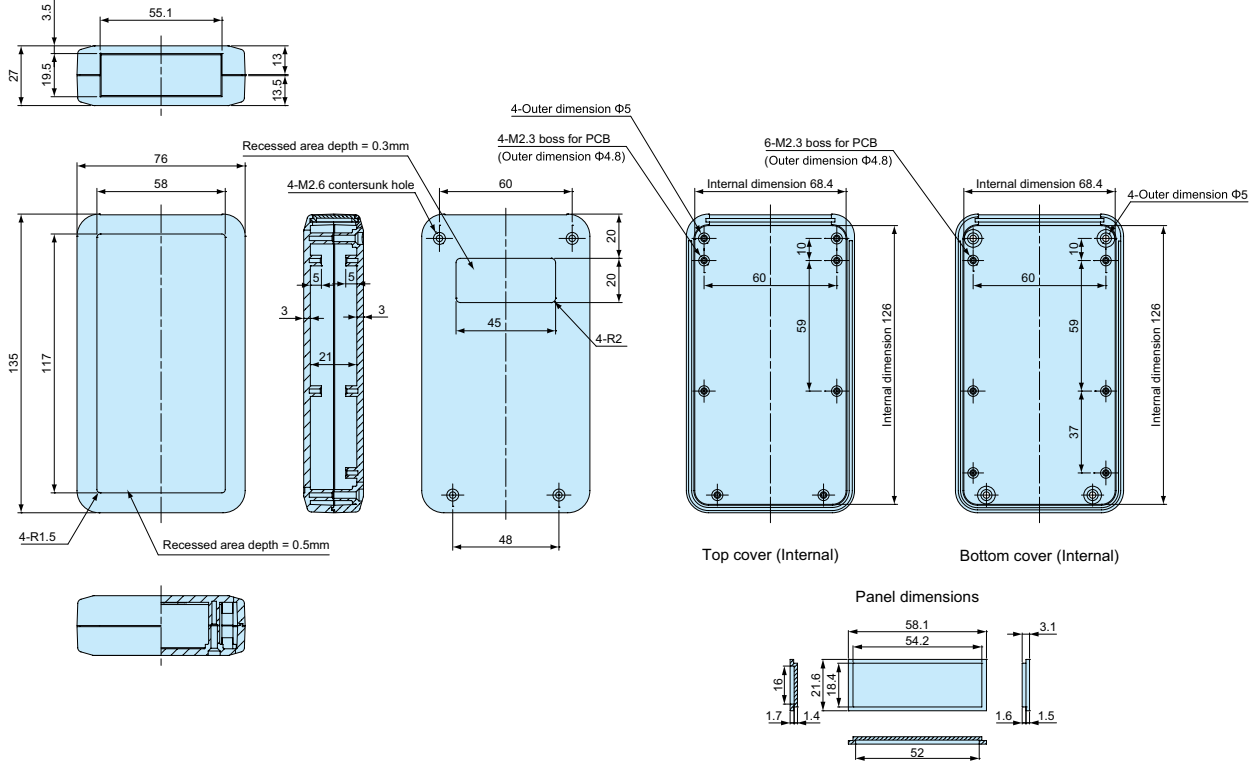


Data sheet for Plastic Housing

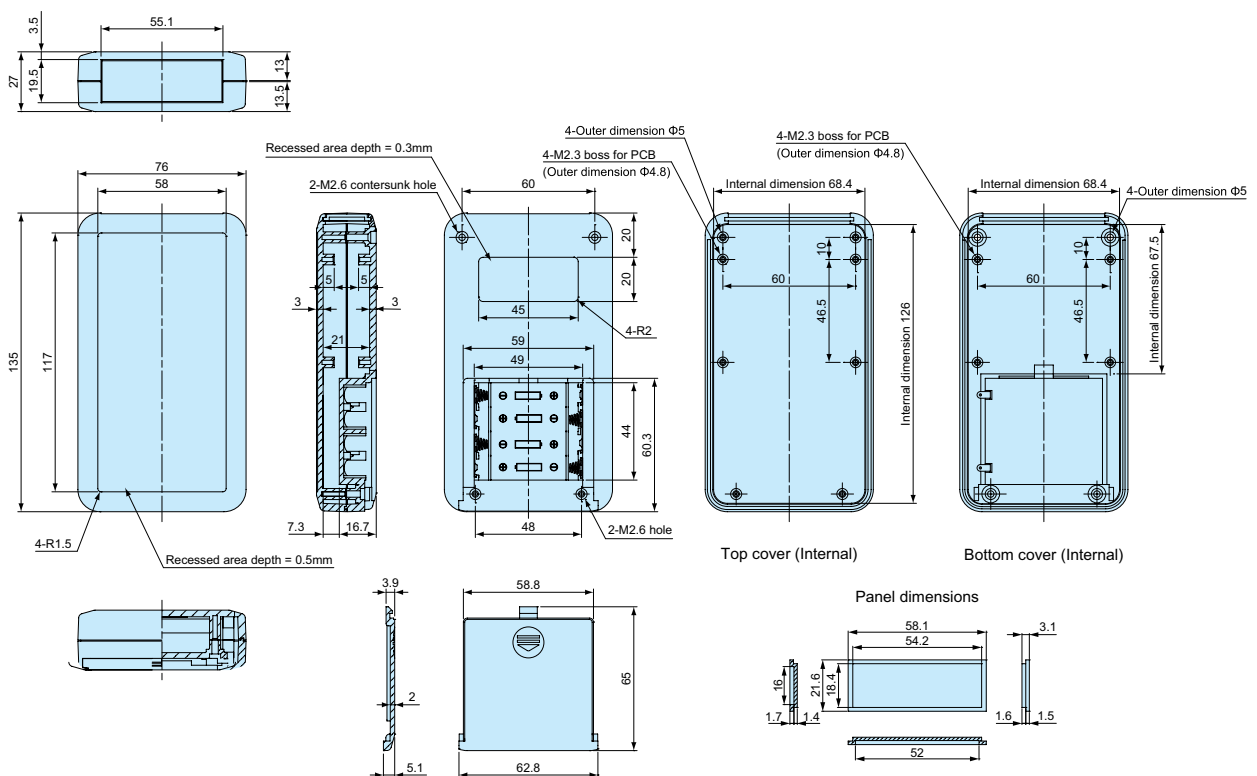
Electronics plastic housing

Series TKC

Drawing TKC 135 N



Drawing TKC 135 A4

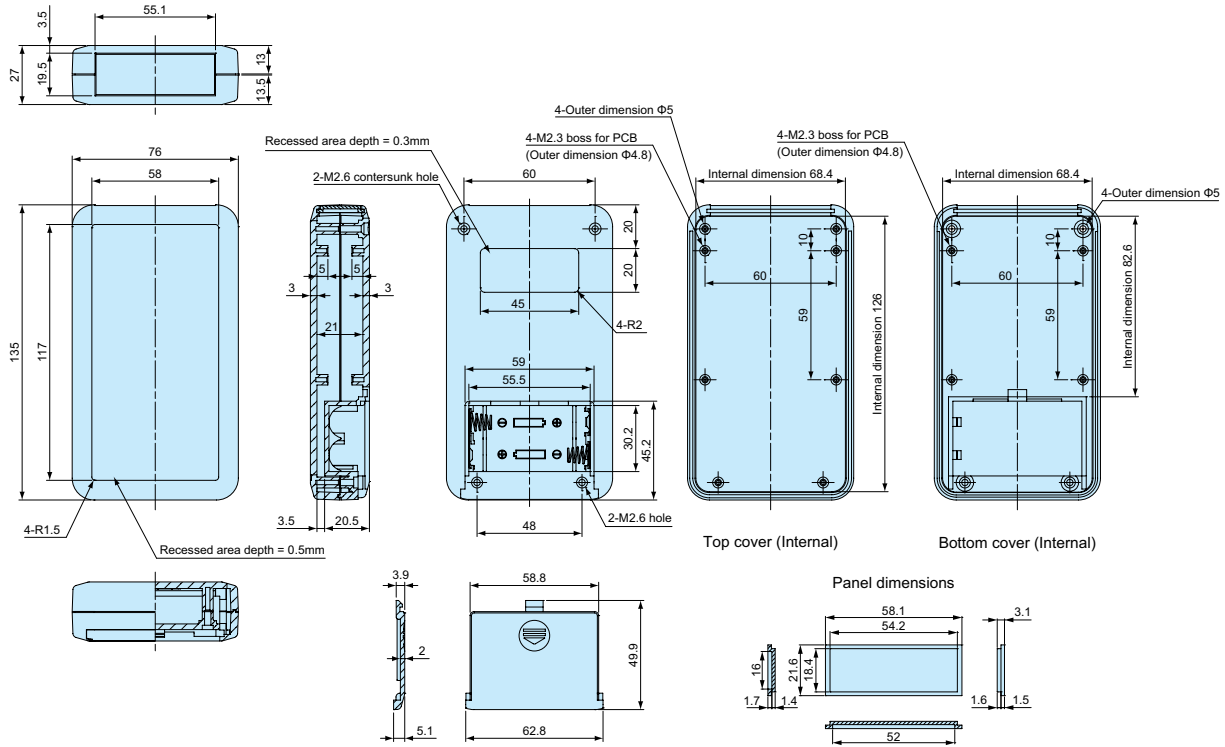


Data sheet for Plastic Housing

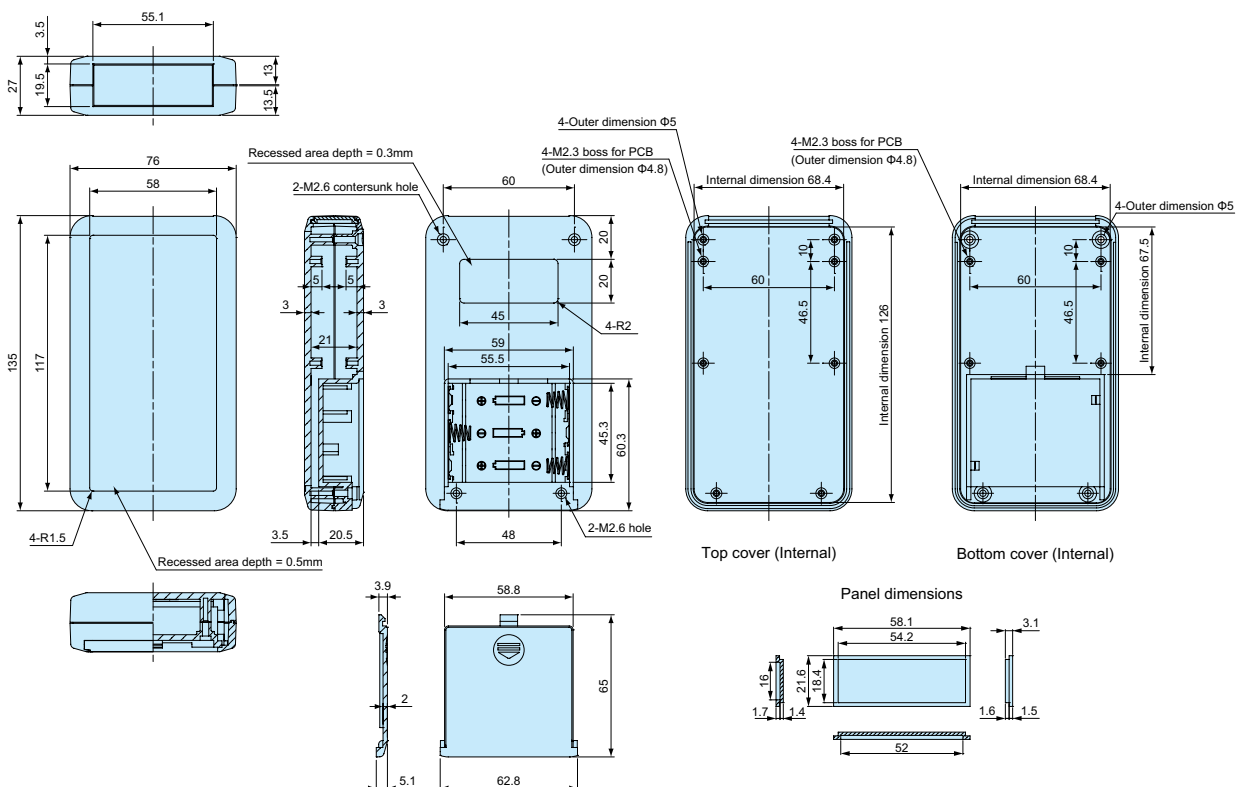
Electronics plastic housing

Series TKC

Drawing TKC 135 B2



Drawing TKC 135 B3

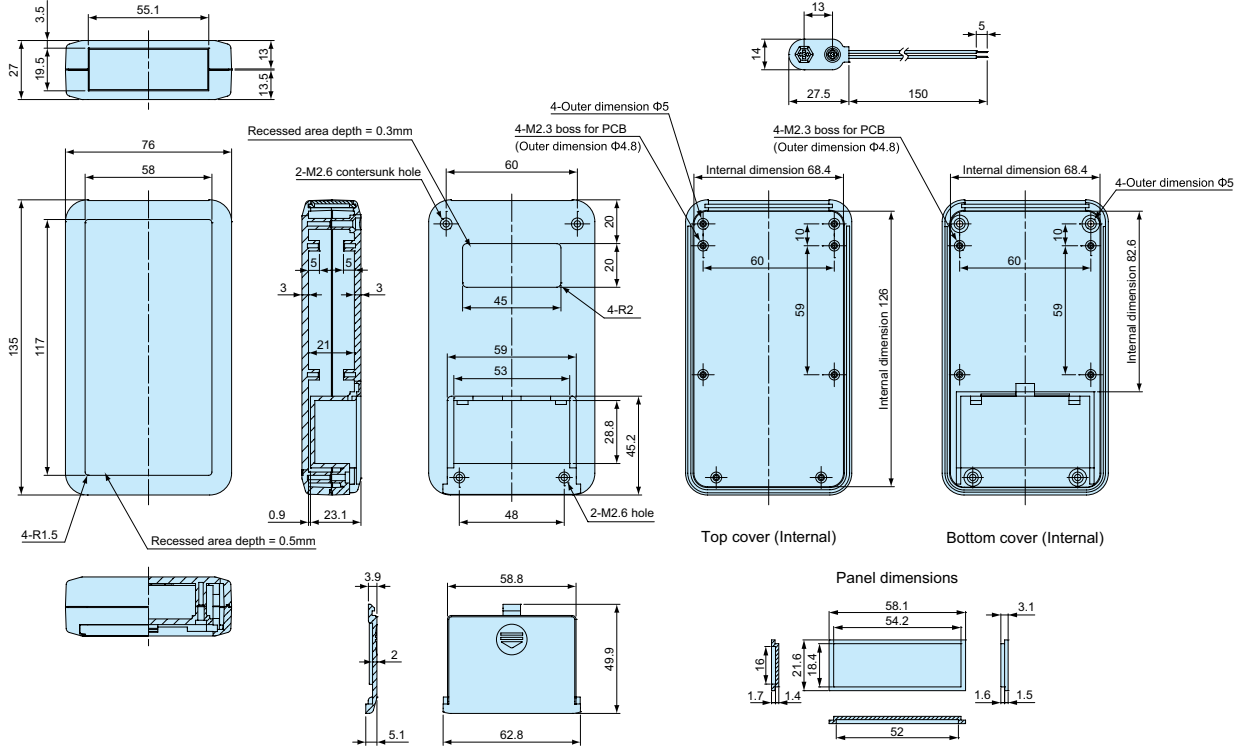


Data sheet for Plastic Housing

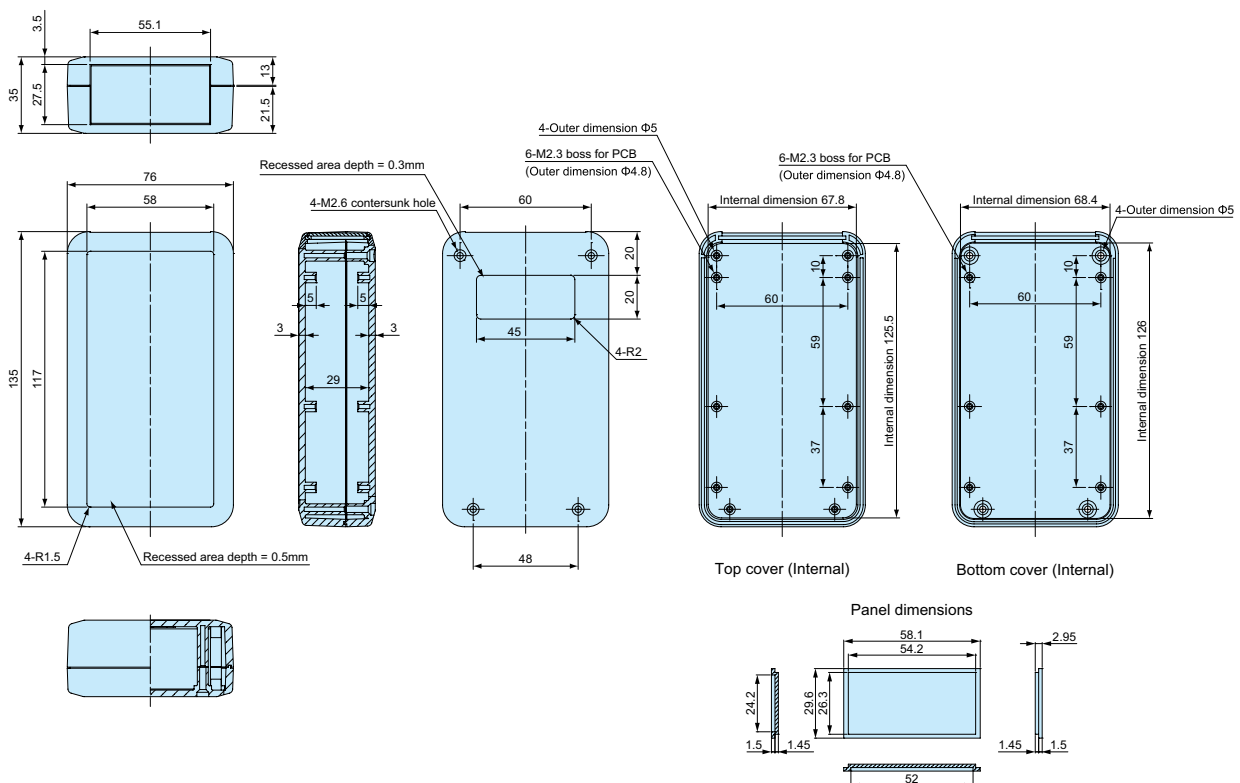
Electronics plastic housing

Series TKC

Drawing TKC 135 9V



Drawing TKCH 135 N

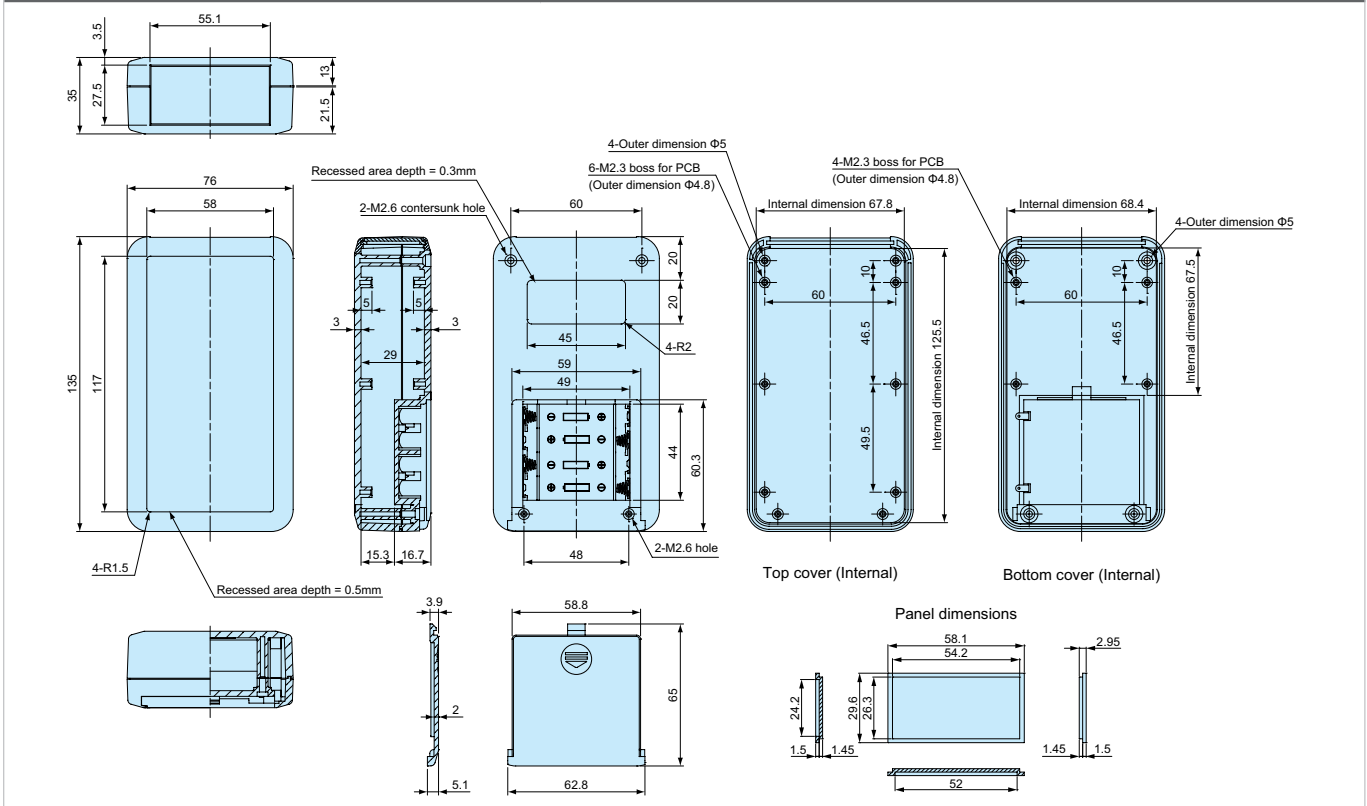


Data sheet for Plastic Housing

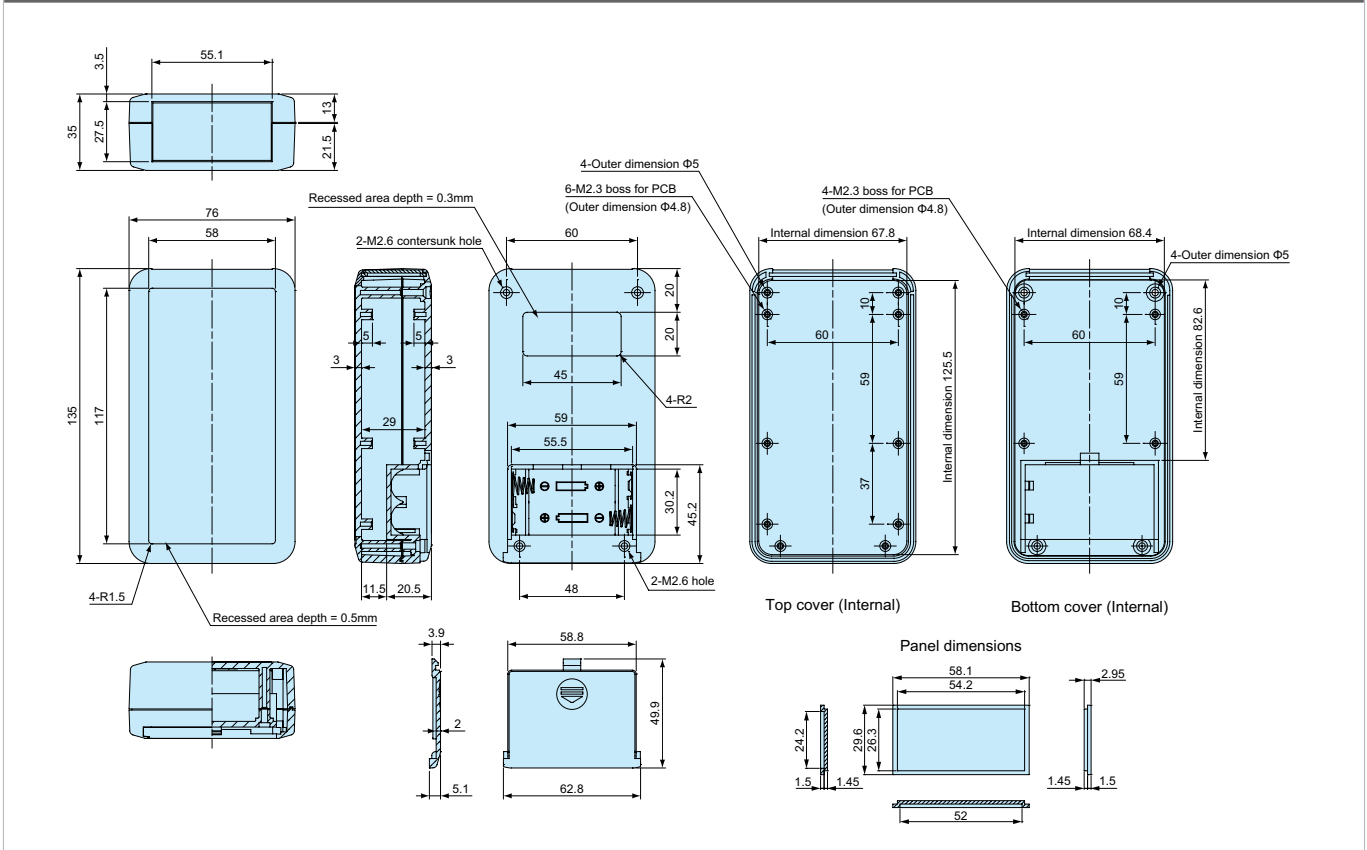
Electronics plastic housing

Series TKC

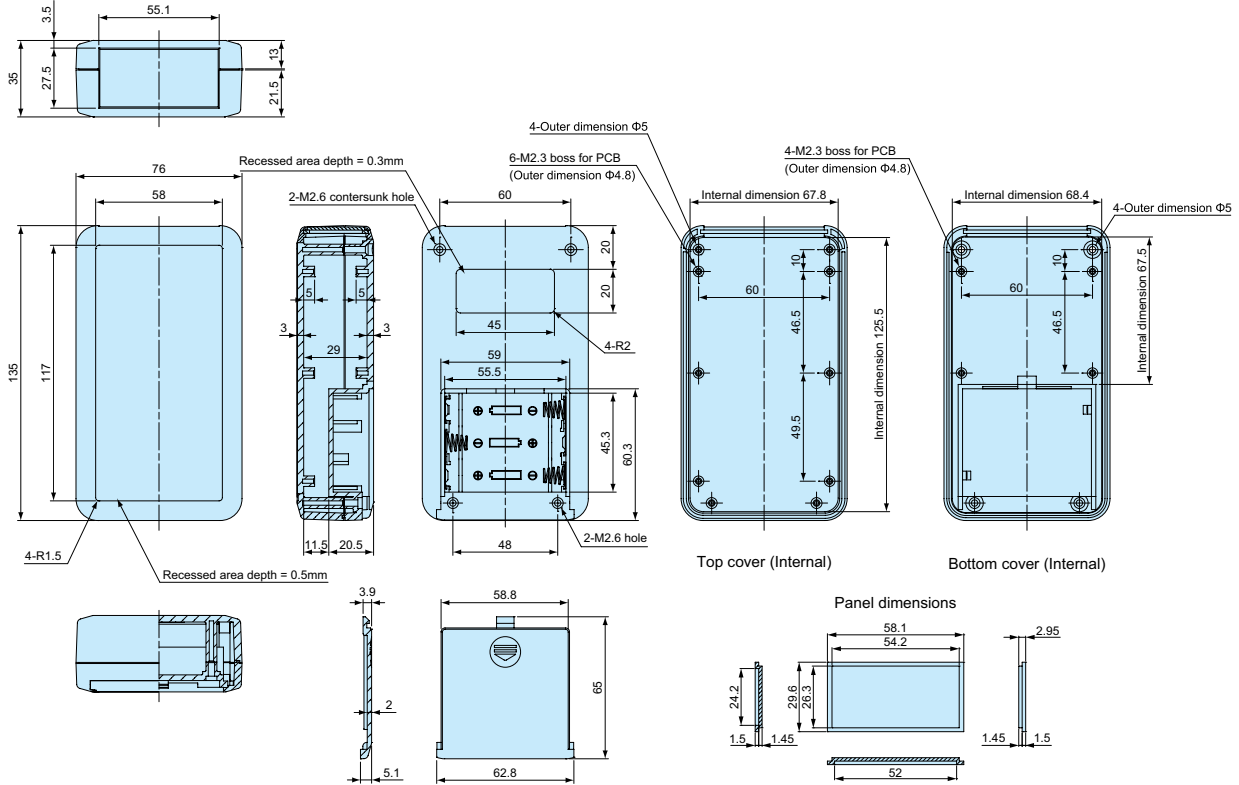
Drawing TKCH 135 A4



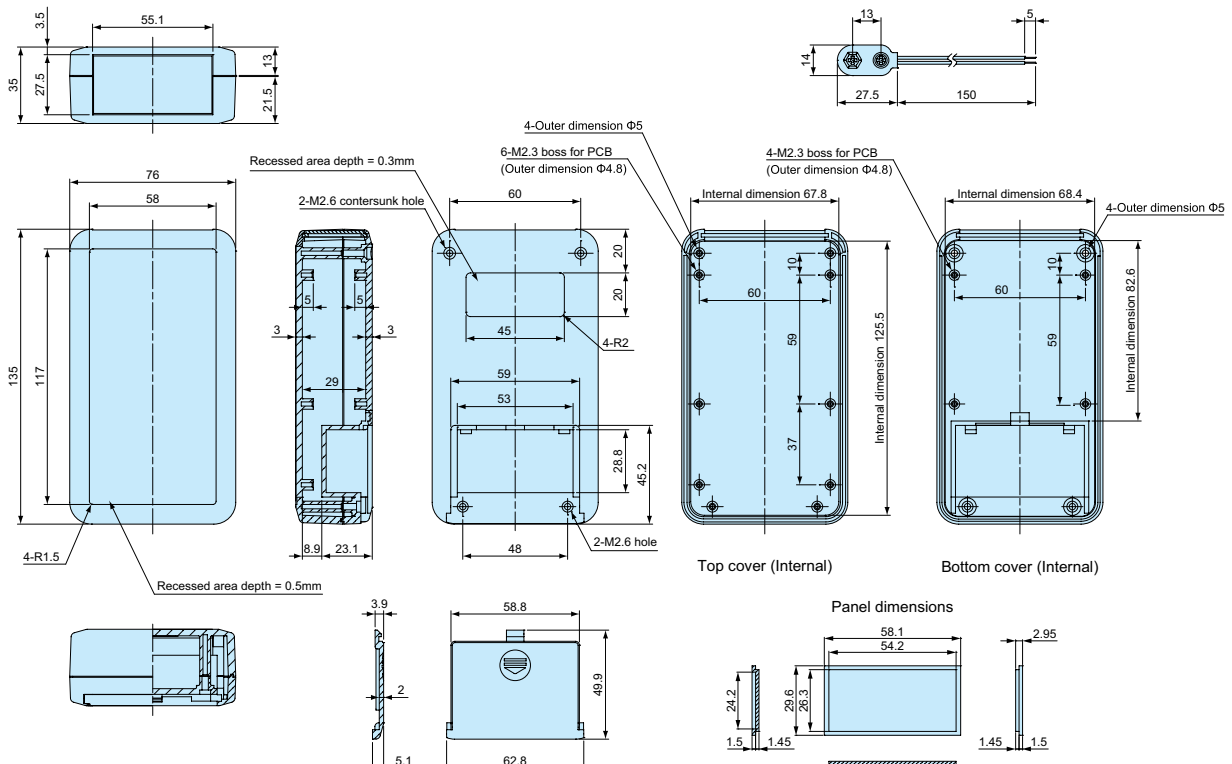
Drawing TKCH 135 B2



Drawing TKCH 135 B3



Drawing TKCH 135 9V

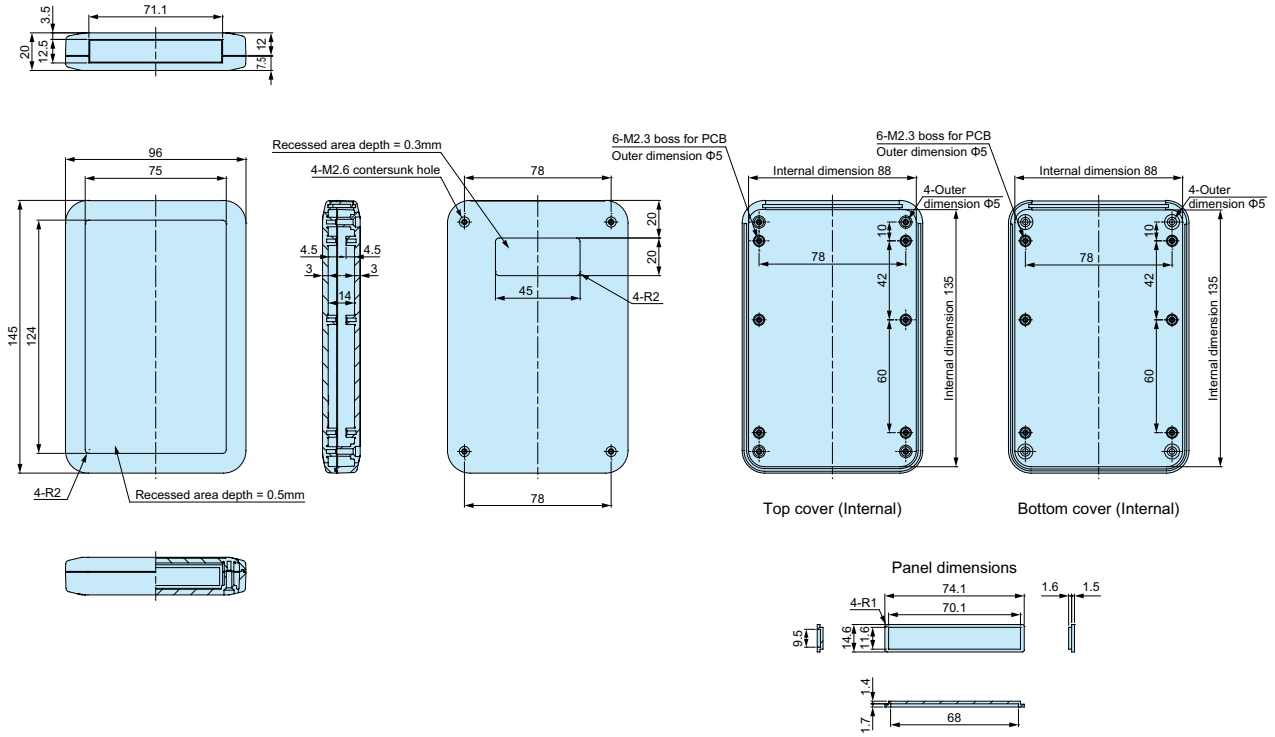


Data sheet for Plastic Housing

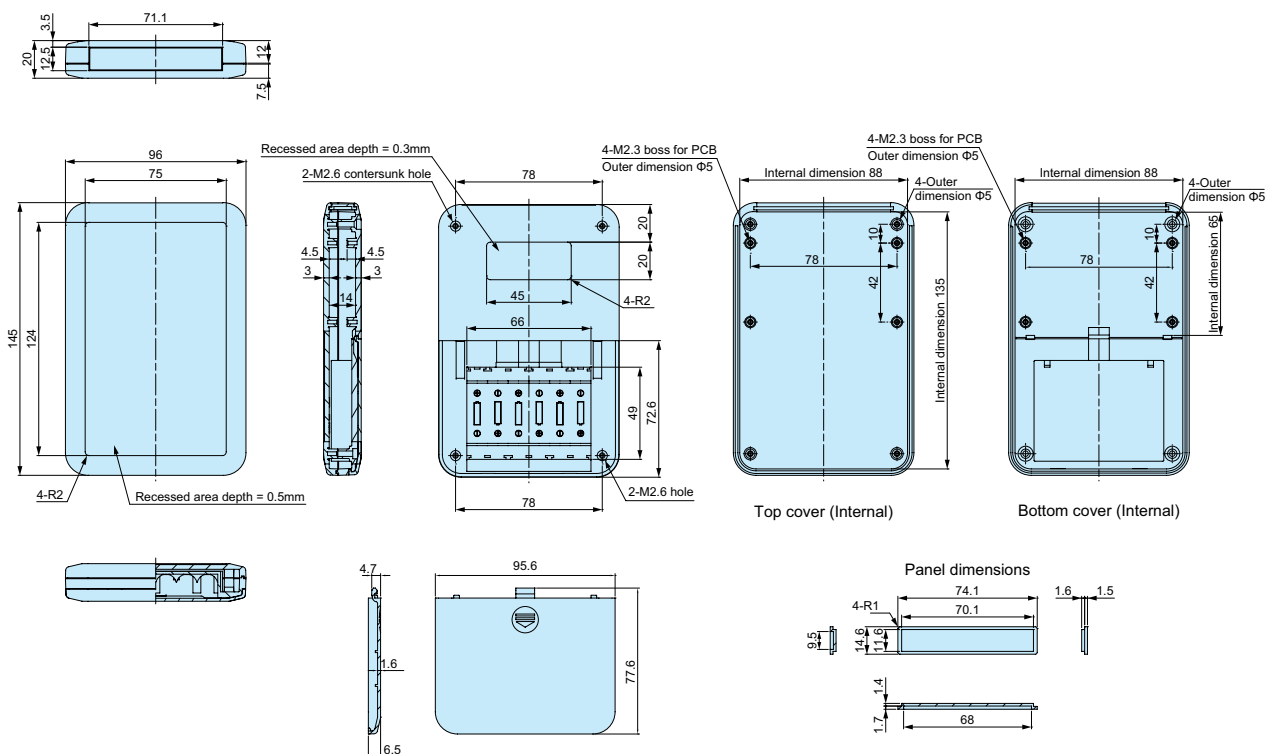
Electronics plastic housing

Series TKC

Drawing TKCS 145 N



Drawing TKCS 145 A6

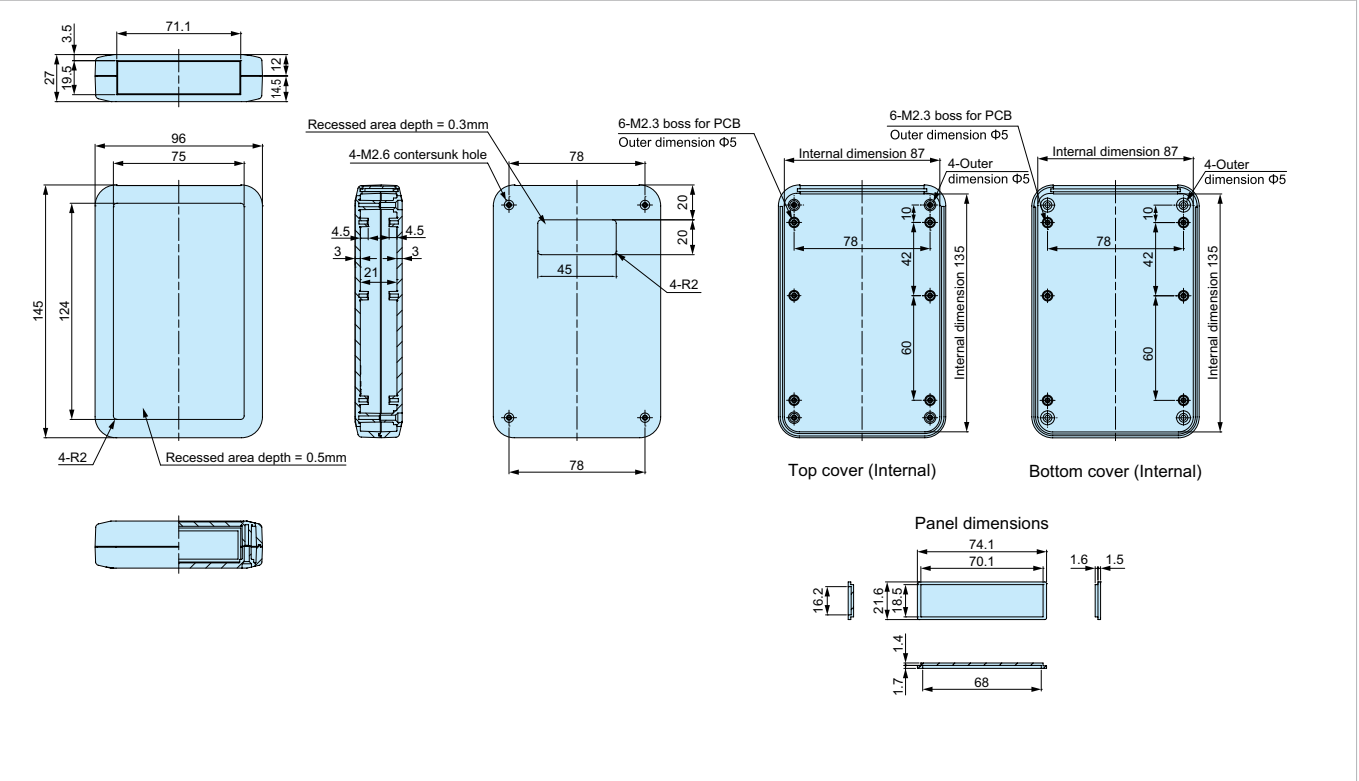


Data sheet for Plastic Housing

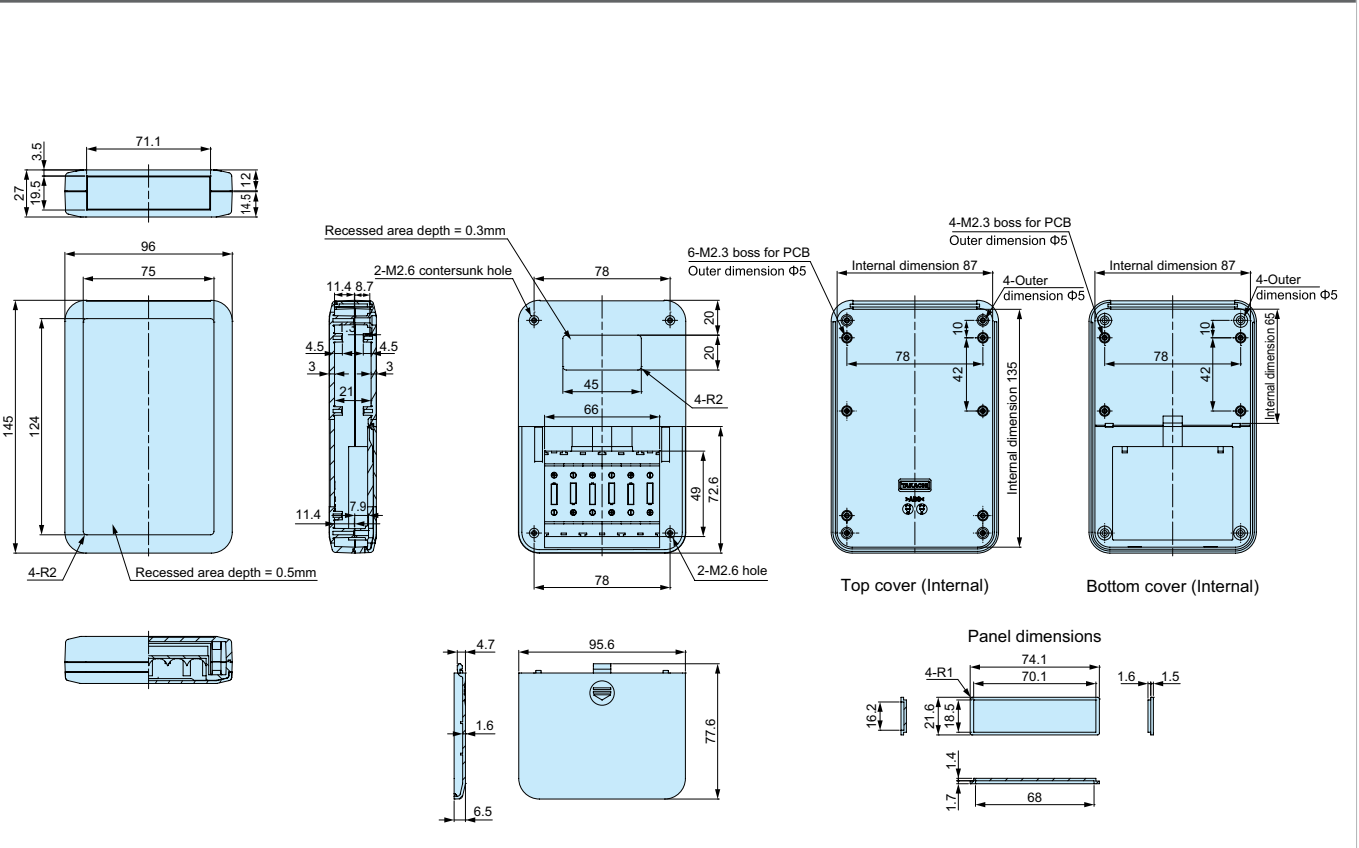
Electronics plastic housing

Series TKC

Drawing TKC 145 N



Drawing TKC 145 A6

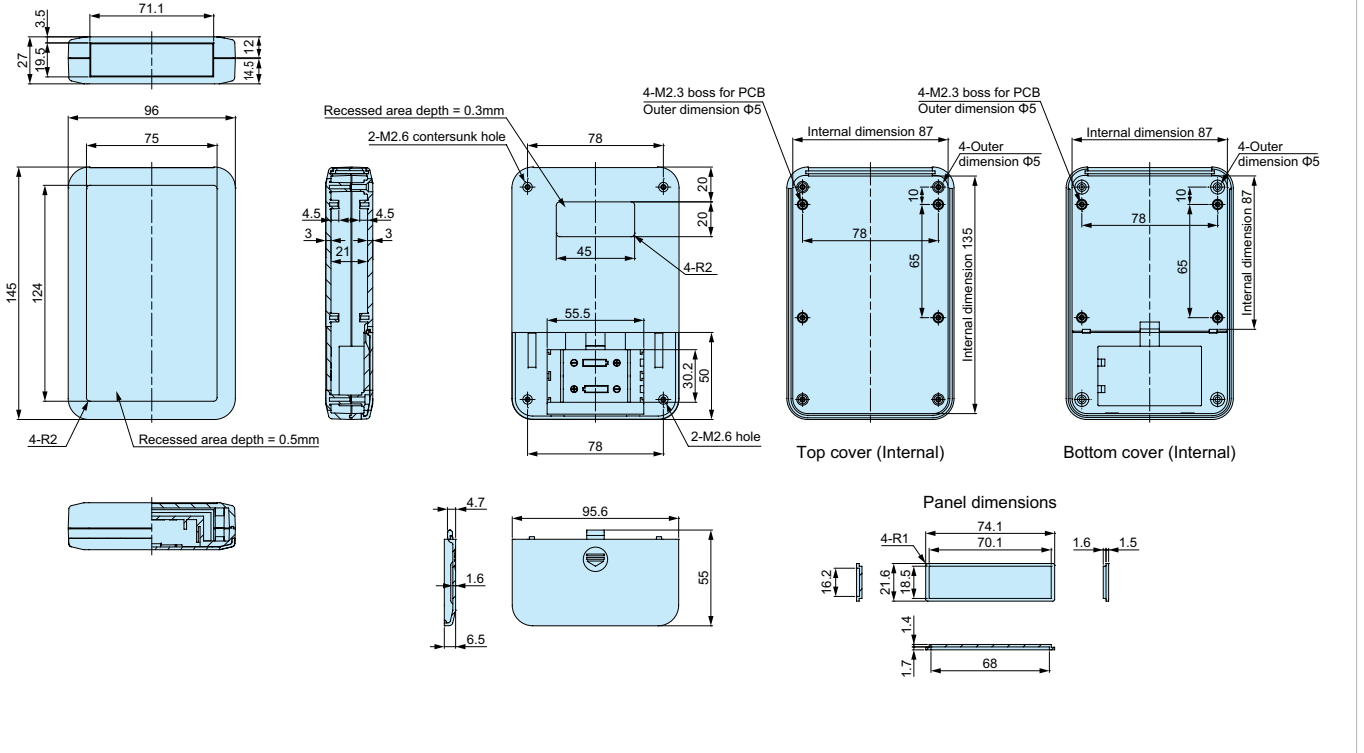


Data sheet for Plastic Housing

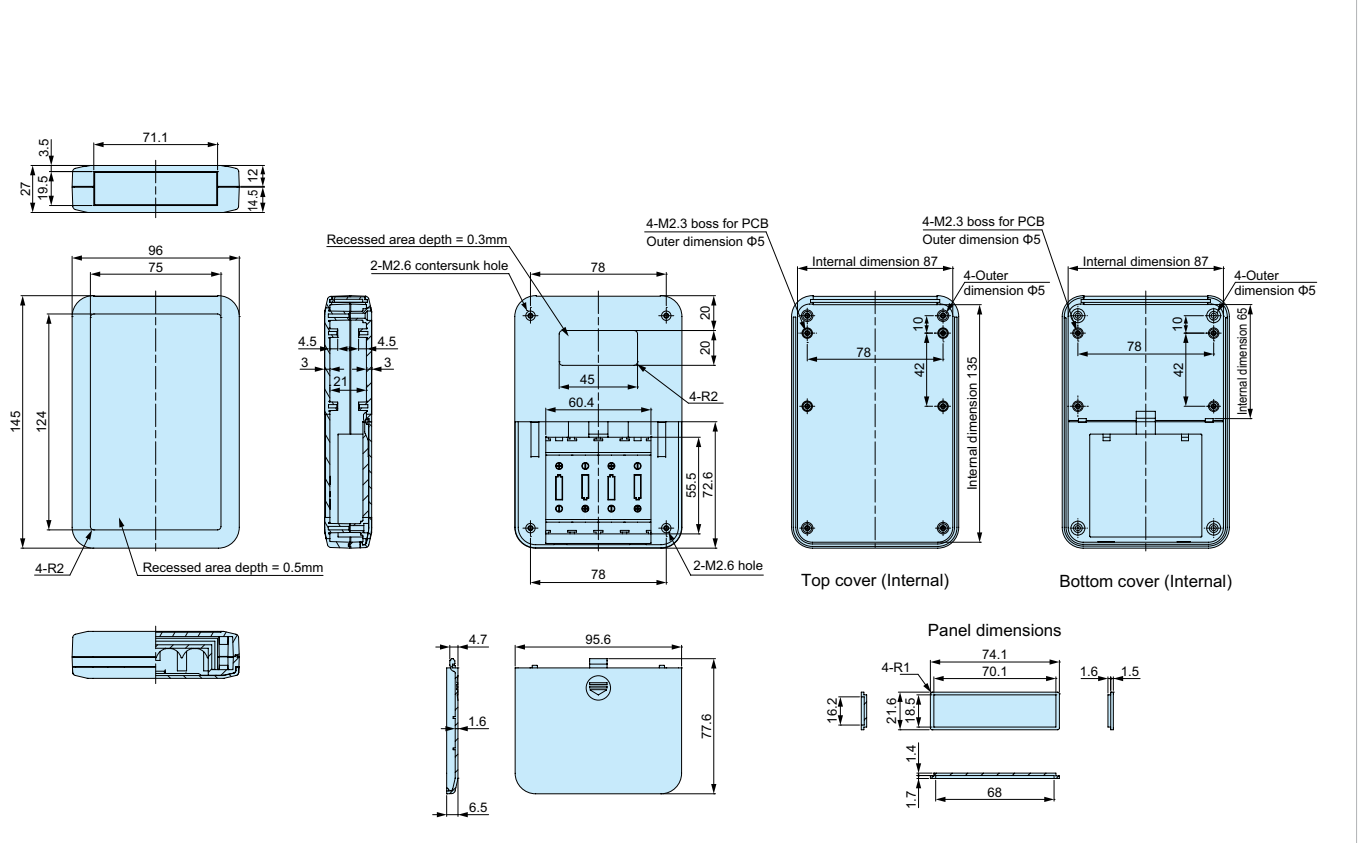
Electronics plastic housing

Series TKC

Drawing TKC 145 B2



Drawing TKC 145 B4

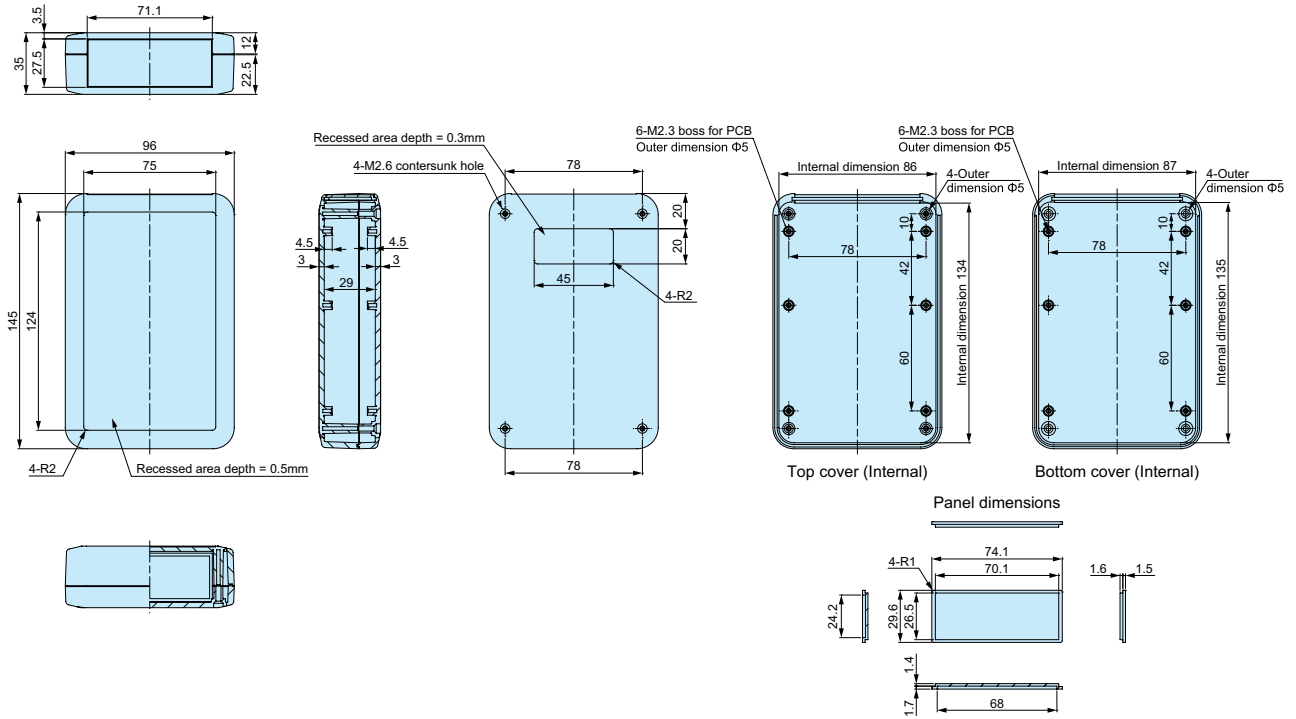


Data sheet for Plastic Housing

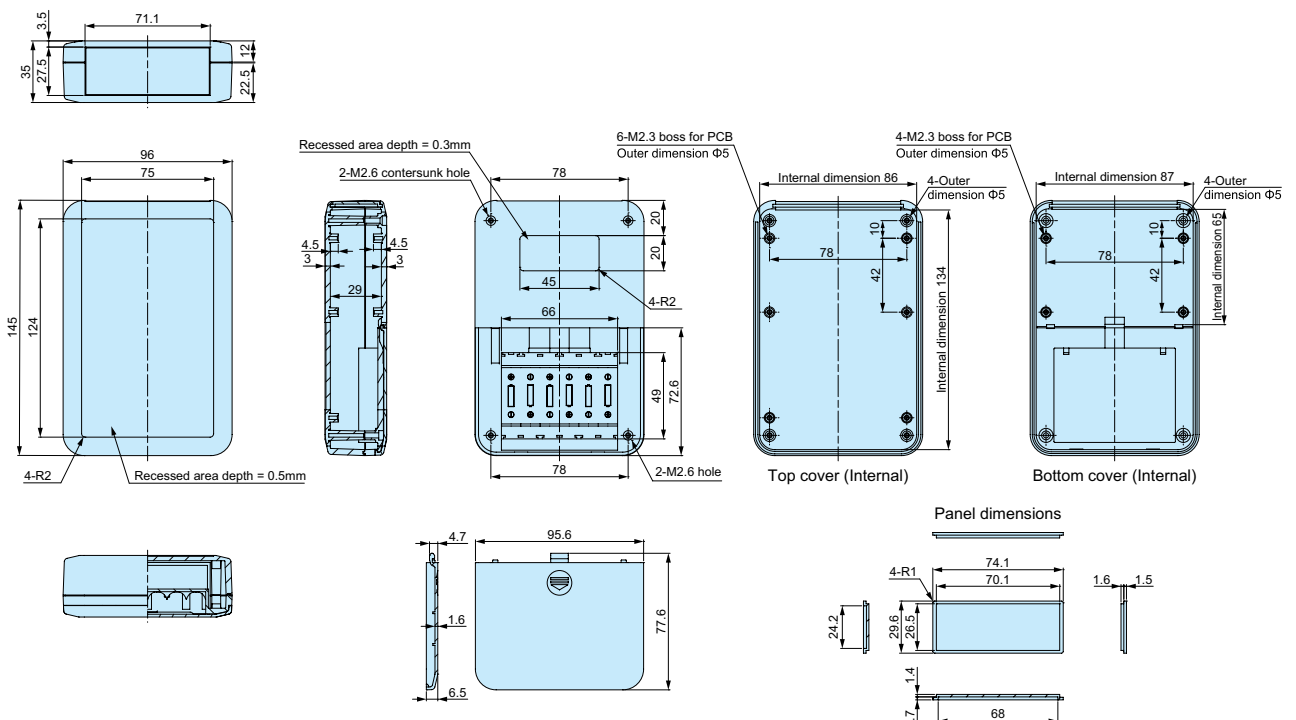
Electronics plastic housing

Series TKC

Drawing TKCH 145 N



Drawing TKCH 145 A6

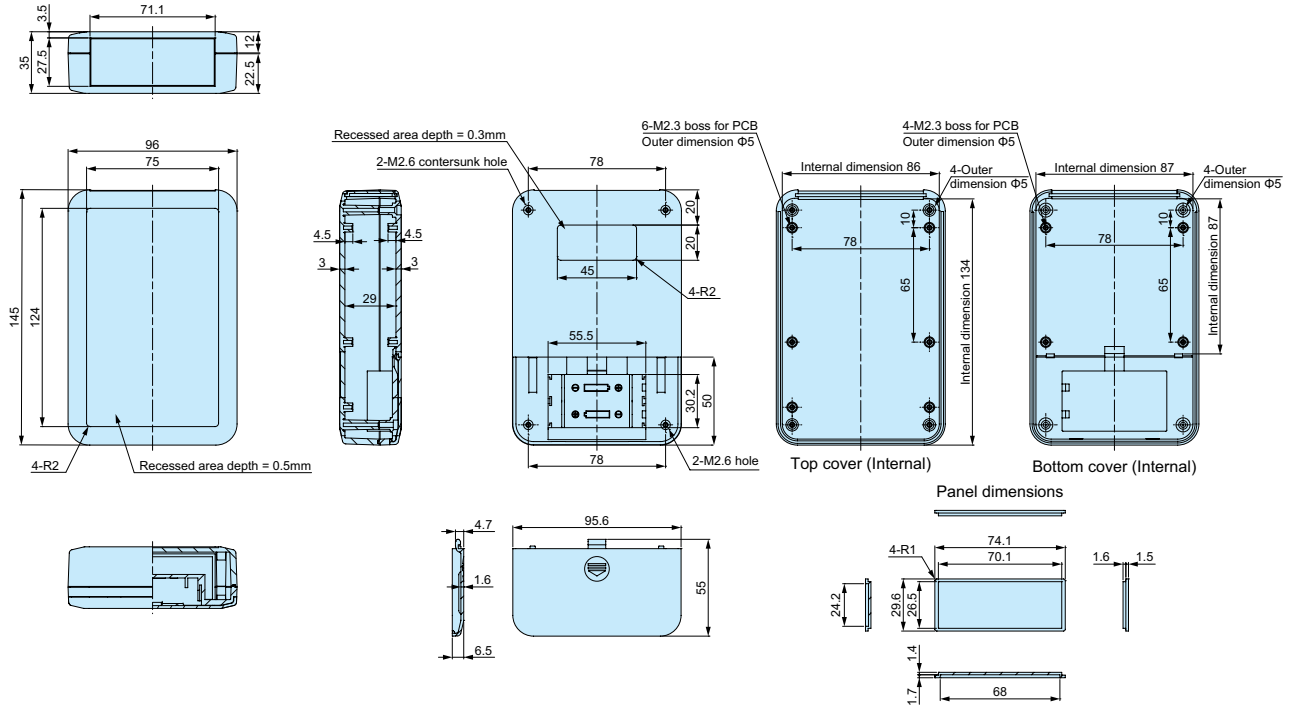


Data sheet for Plastic Housing

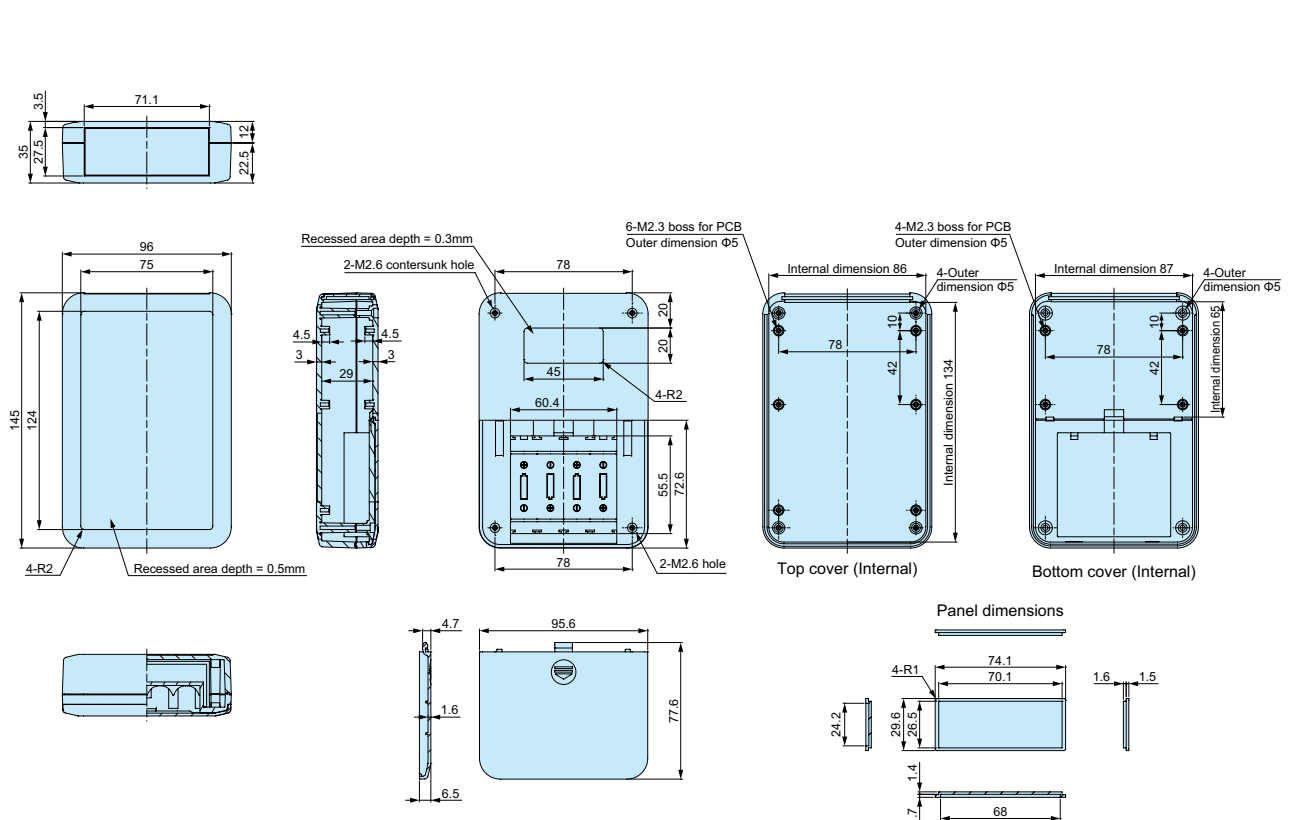
Electronics plastic housing

Series TKC

Drawing TKCH 145 B2



Drawing TKCH 145 B4

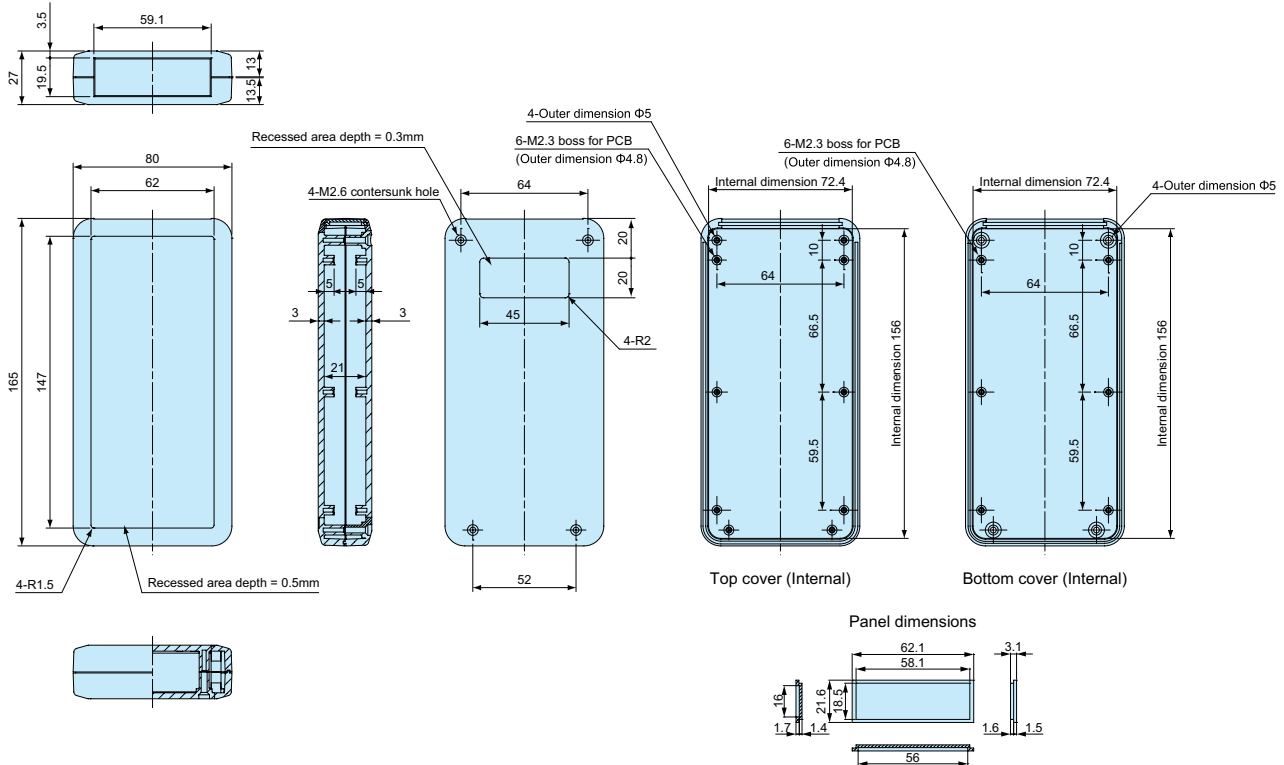


Data sheet for Plastic Housing

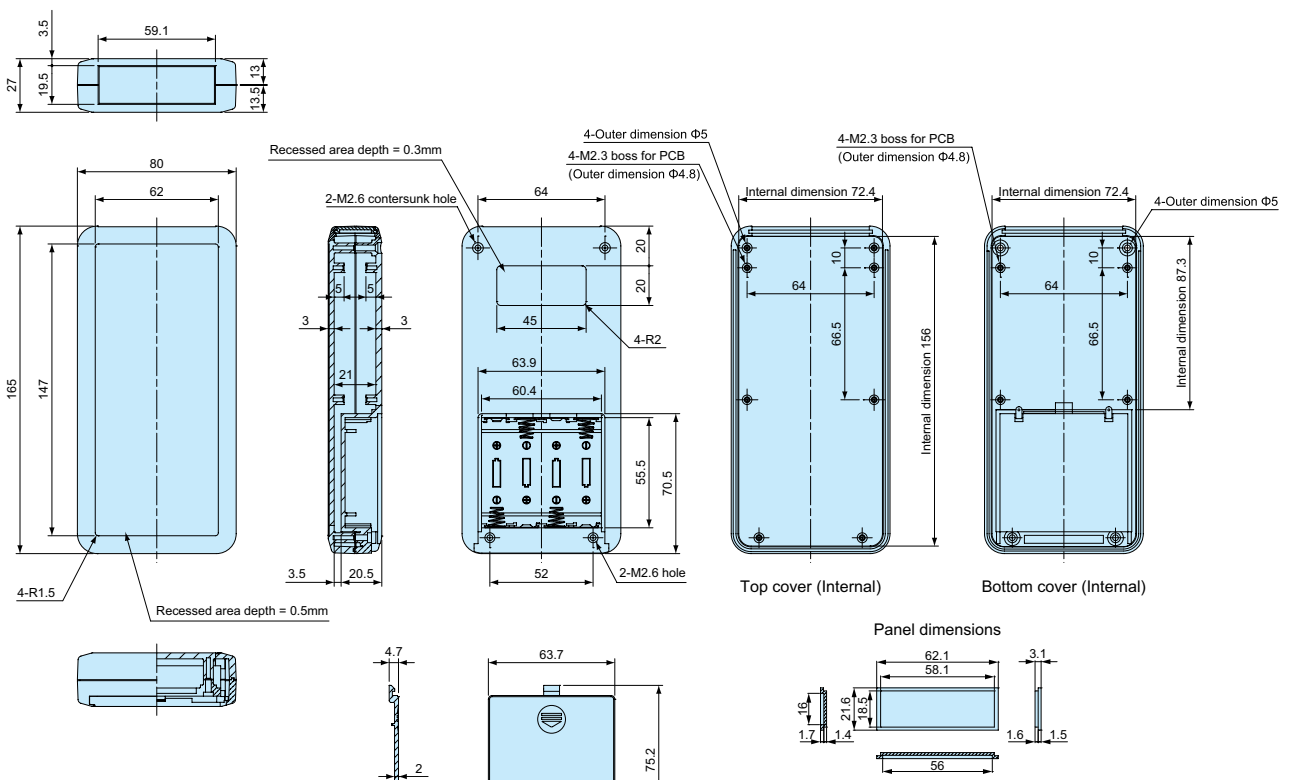
Electronics plastic housing

Series TKC

Drawing TKC 165 N



Drawing TKC 165 B4

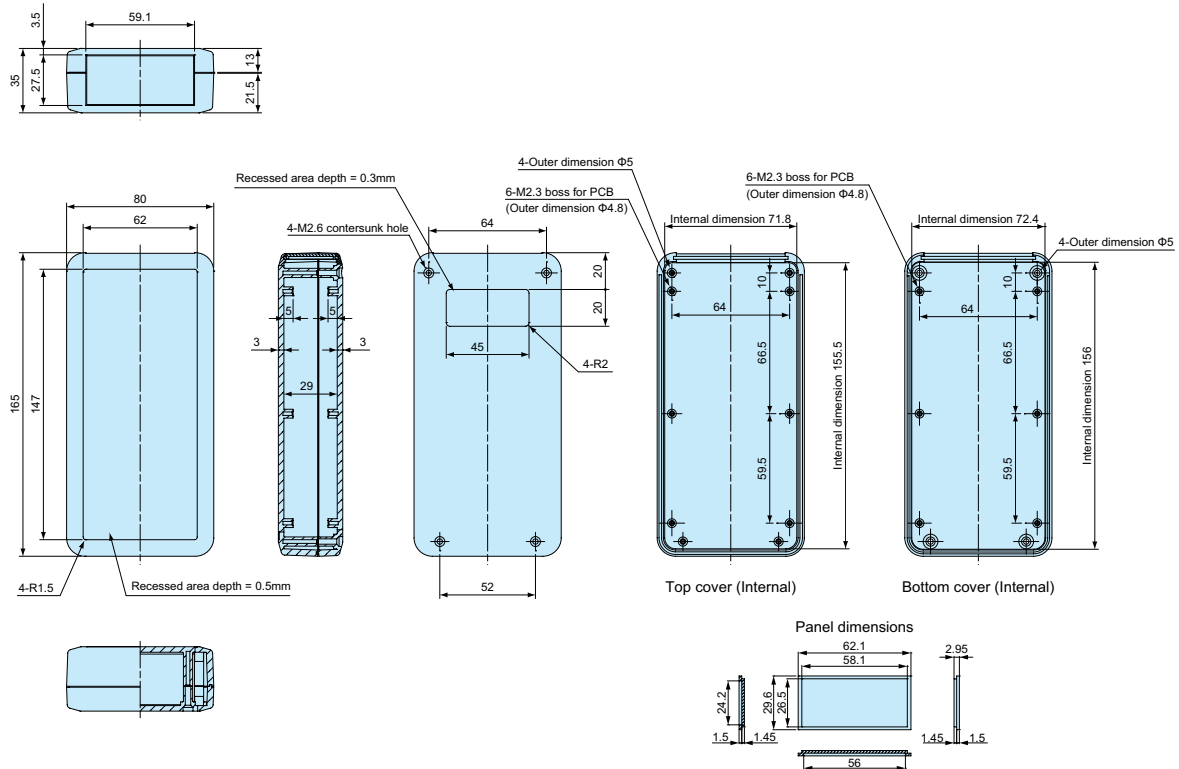


Data sheet for Plastic Housing

Electronics plastic housing

Series TKC

Drawing TKCH 165 N



Drawing TKCH 165 B4

