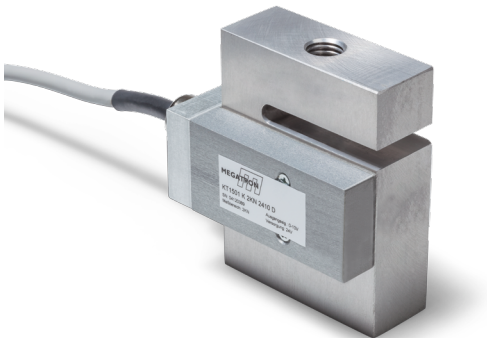


Data sheet for Load Cells

S-Beam Load Cells with Electronics

Series KT1501



- S-beam with electronics
- Strain gauge principle
- Aluminium alloy
- Output 0..10V, 4..20 mA @24 VSUP
- Force transmission via M12-thread
- Protection grade IP54
- Easy to install, stable and reliable

Series KT1501 force transducer is a all-purpose S-beam load cell. Suitable for batching systems, package systems, etc.

Data Load Cell

Rated force	1kN, 2kN, 5kN, 10kN
Rated characteristic value 2410 / 2442	10 V / 20 mA @ rated force
Relative error of characteristic value	≤ 10 % of rated output
Relative repeatability error	≤ 0,03 % of rated output
Relative reversibility error	≤ 0,03 % of rated output
Relative linearity error	≤ 0,03 % of rated output
Zero signal when removed 2410 / 2442	0 V / 4 mA
Relative deviation of zero signal	≤ 3 % of rated output
Rated displacement	≤ 0,3 mm
Input resistance	410 ±5Ω
Output resistance	350 ±3 Ω
Insulation resistance	≥ 5 GΩ @ 50 VDC
Maximum operating force	≤ 150 % of rated force
Rated range of excitation voltage	≤ 10 V DC / AC
Operating range of excitation voltage	≤ 15 V DC / AC
Rated temperature range	-10 °C..+50 °C
Operating temperature range	-10 °C..+70 °C
Protection	IP54
Temperature effect on characteristic value	≤ 0,02 % of output / 10 K
Temperature effect on zero signal	≤ 0,02 % of rated output / 10 K
Creep under load	≤ 0,03 % of rated output
Cable dimension	4xAWG24, PTFE isolated, shielded
Cable length from body	ca. 2 m
Body material	Aluminium alloy

Terms according to guideline VDI / VDE / DKD 2638

Data sheet for Load Cells

S-Beam Load Cells with Electronics

Series KT1501

Order code

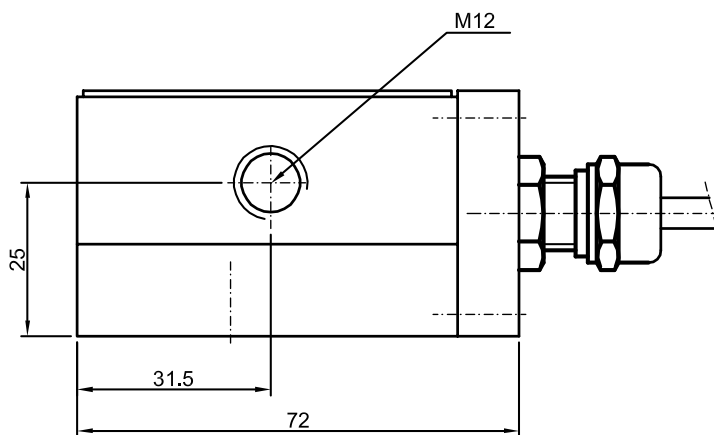
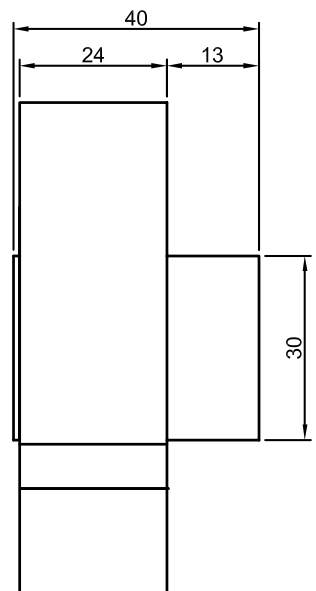
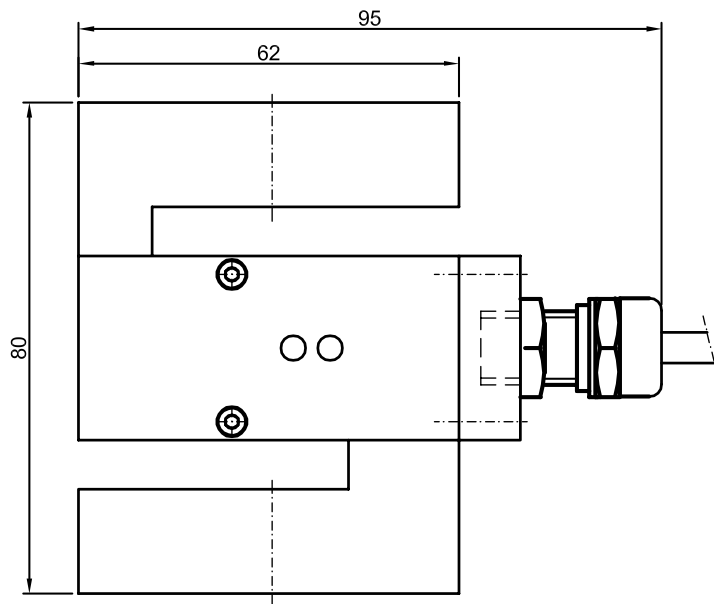
Description					
Selection: standard=black/bold, possible options=grey/cursive					
Series:	KT1501				
Connecting cable: Cable length 6 m		K			
Rated force: 1 kN 2 kN 5 kN 10 kN			1kN 2kN 5kN 10kN		
Electronics: 24 VSUP 0..10 V Output <i>Option 24 VSUP 4..20 mA Output</i>				2410 2442	
Direction of force: Tension Pressure					Z D

Data sheet for Load Cells

S-Beam Load Cells with Electronics

Series KT1501

Drawing



Dimensions in mm

Cable assignment

For tension:

Red: +input
 Black: -input
 Brown: -output
 Yellow: +output
 Orange: n.c.

For pressure:

Red: +input
 Black: -input
 Brown: +output
 Yellow: -output
 Orange: n.c.