

Data sheet for Load Cells

Button Load Cell (Pancake)

Series KMC180



- Measuring range 0...300 kN
- Force transmission via through hole
- With large contact surface
- Strain gauge
- Steel alloy
- Degree of protection IP66

Series KMC180 force transducer is a all-purpose load cell (pancake). The sensor is often used in presses, testing machines, truck scales and large container and hopper scales.

Data load cell

Rated force ($F_{nom.}$)	300kN
Output signal @ F_{nom} (Rated characteristic value)	3,0 mV/V \pm 0.25%
Relative repeatability error	\leq 0,03 % F_{nom}
Relative reversibility error	\leq 0,03 % F_{nom}
Relative linearity error	\leq 0,03 % F_{nom}
Relative deviation of zero signal	\leq 1 % F_{nom}
Rated displacement @ F_{nom}	\leq 0,5 mm
Input resistance	775 \pm 20 Ω
Output resistance	700 \pm 5 Ω
Insulation resistance	\geq 5 G Ω @ 50 V DC
Maximum operating force	\leq 150 % F_{nom}
Rated range of excitation voltage	10 V DC / AC
Operating range of excitation voltage	\leq 15 V DC / AC
Rated temperature range	-10 °C .. +70 °C
Operating temperature range	-10 °C .. +40 °C
Protection	IP66
Temperature effect on characteristic value	\leq 0,02 % F_{nom} / 10 K
Temperature effect on zero signal	\leq 0,02 % F_{nom} / 10 K
Creep under load	\leq 0,5 % F_{nom}
Cable dimension	4 x AWG24, PTFE isolated, shielded
Cable length from body	ca. 6 m
Body material	Alloy steel
Mass	

1.) Terms and definitions acc. directive VDI/VDE/DKD 2638

Data sheet for Load Cells

Button Load Cell (Pancake)

Series KMC180

Order code

Description

Series:	KMC180		
Connecting cable: Cable length 6 m		K	
Rated force: 300 kN			300kN

Accessories (not included in delivery)

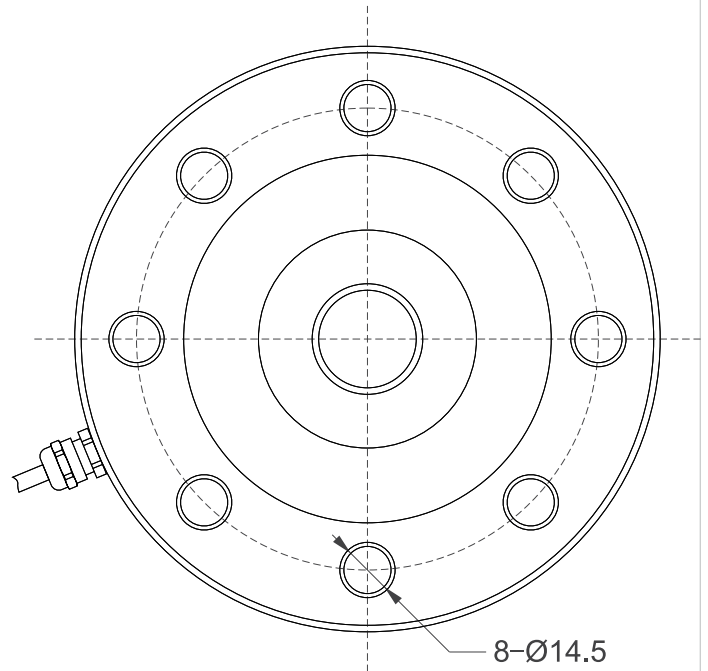
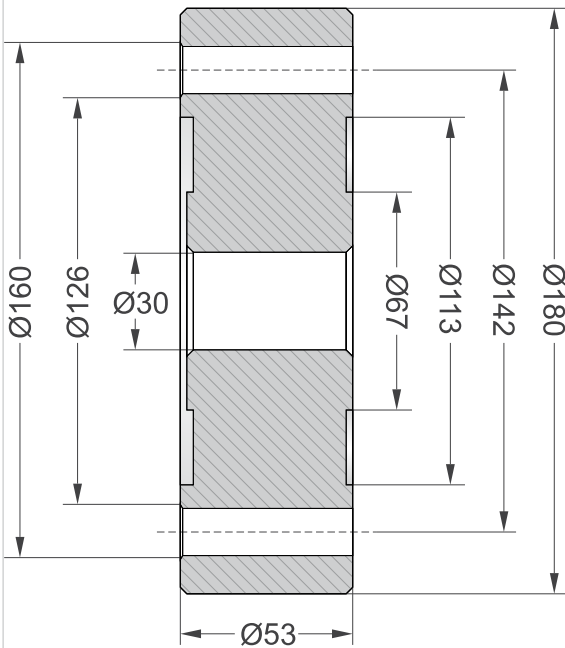
Measuring amplifier	IMA2DMS
----------------------------	----------------

Data sheet for Load Cells

Button Load Cell (Pancake)

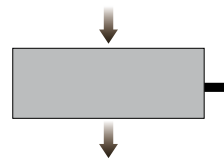
Series KMC180

Drawing



Terminal assignment

Black	- Supply
Red	+ Supply
Green	+ Output
White	- Output



Dimensions in mm