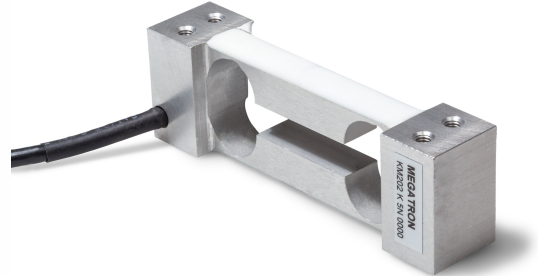
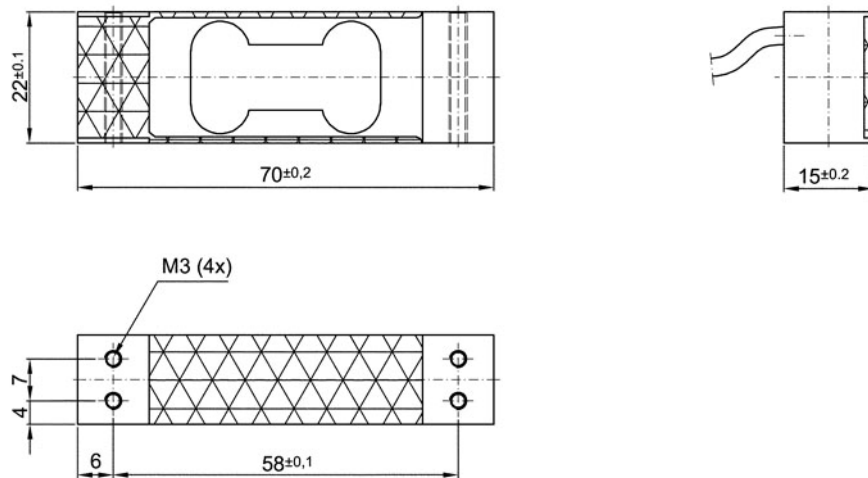


## Series KM202

- Capacity from 0...3 N to 0...100 N
- Calibration either in tension or compression
- Calibration protocol included
- Loadcell Aluminium
- Protection Class IP65
- Small off center load error (typ. 0,008% / 10mm)



## Dimensional Drawing



# Series KM202

| Technical Data         |  |               |
|------------------------|--|---------------|
| Capacity(0 to ...)     | 3; 5; 10 N   | 30; 50; 100 N |
| Operating Overload     | 120 % F.S.   |               |
| Safe Overload          | 150 % F.S.   |               |
| Ultimate Overload      | > 200 % F.S.   |               |
| Rated Output           | 1  | 2             |
| Rated Output Tolerance | 10 % F.S.  |               |
| Zero Balance           | 2 % F.S.   |               |
| Non-Linearity          | 0,04 % F.S.  |               |
| Hysteresis             | 0,04 % F.S.  |               |
| Creep (30 min.)        | 0,06 % F.S.  |               |
| Total Error *          | 0,15 % F.S.  |               |
| Non-Repeatability      | 0,04 % F.S.  |               |
| Temp.Effect on Zero    | 0,025 % F.S./10K   |               |
| Temp.Effect on Output  | 0,025 % F.S./10K   |               |
| Legend:                | * ) Hysteresis included<br>All above values in %F.S. < = ± values<br>Calibration protocol included |               |

| Mechanical Data   |                              |
|-------------------|------------------------------|
| Measuring Method  | Foil Strain Gage Full Bridge |
| Material Loadcell | Aluminium Alloy              |

| Ambient Conditions      |                |
|-------------------------|----------------|
| Compensated Temperature | -10 ... +40° C |
| Operating Temperature   | -20 ... +60° C |
| Protection Class        | IP65           |

# Series KM202

## Electrical Data

|                        |                          |
|------------------------|--------------------------|
| Input Impedance        | 410 ± 15 Ω               |
| Output Impedance       | 350 ± 3 Ω                |
| Insulation             | > 2000 MΩ                |
| Recommended Excitation | 10 VDC typ., 15 VDC max. |
| Cable Size             | Length 2 m               |

## Signal Versions

|                        | Supply | Signal        |
|------------------------|--------|---------------|
| 0000 without amplifier | 10 V   | 10 mV / 20 mV |

## Electrical Connection

|        |                              |
|--------|------------------------------|
| Wiring | 0000                         |
| black  | Excitation -                 |
| red    | Excitation +                 |
| green  | Signal +                     |
| white  | Signal -                     |
| shield | On request shield on housing |

| Ordering Code     |              |             |          |             | Accessories                             |
|-------------------|--------------|-------------|----------|-------------|---|
| <b>Series</b>     | <b>KM202</b> |             |          |             | <b>External Amplifier</b><br>• IMA2-DMS |
| <b>Capacity</b>   |              | <b>3N</b>   |          |             |   |
|                   |              | <b>5N</b>   |          |             |   |
|                   |              | <b>10N</b>  |          |             |   |
|                   |              | <b>30N</b>  |          |             |   |
|                   |              | <b>50N</b>  |          |             |   |
|                   |              | <b>100N</b> |          |             |   |
| <b>Connection</b> |              |             | <b>K</b> |             |   |
| <b>Amplifier</b>  |              |             |          | <b>0000</b> |   |

(\*) = on request available for projects

24.05.2016