

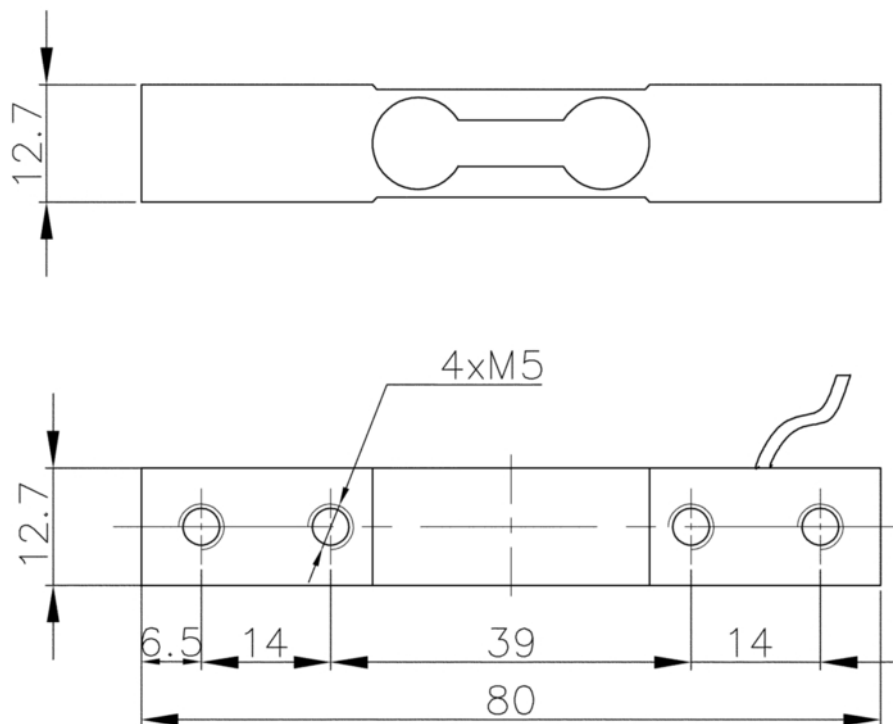
## Series KM102

- Capacity from 0...30 N to 0...1 kN
- Calibration either in tension or compression
- Calibration protocol included
- Loadcell in aluminium
- Protection class IP65



The KM102 is offered without amplifier. External amplifiers please find under "accessories".

## Dimensional Drawing



Dimensions in mm

# Series KM102

## Technical Data

Capacity (0 to ...	30, 50, 100 N	150, 200, 500, 1000 N
Operating overload	120 % F.S.	
Safe overload	150 % F.S.	
Ultimate overload	> 200 % F.S.	
Rated output	1 mV/V	2 mV/V
Rated output tolerance	10 % F.S.	
Zero balance	2 % F.S.	
Non-linearity	0,1 % F.S.	
Hysteresis	0,1 % F.S.	
Creep (30min.)	0,1 % F.S.	
Total error *	0,2 % F.S.	
Non-repeatability	0,1 % F.S.	
Temp.effect on zero	0,05 % F.S./10K	
Temp.effect on output	0,05 % F.S./10K	
Legend:	*) Hysteresis included all above values in %F.S. <= ± values Calibration protocoll included in delivery	

## Mechanical Data

Measuring Method	foil strain gage full bridge
Loadcell Material	aluminium alloy

## Ambient Conditions

Compensated Temperature	-10 ... +40° C
Operating Temperature	-20 ... +60° C
Protection Class	IP65

# Series KM102

## Electrical Data

Input impedance	410 ± 15 Ω
Output impedance	350 ± 3 Ω
Insulation	> 2000 MΩ
Recommended excitation	10 VDC typ., 15 VDC max.
Cable size	2 m

Signal Versions	Supply	Signal
0000 without amplifier	10 V	10 mV / 20 mV

## Electrical Connection

Wiring	0000
black	Excitation -
red	Excitation +
green	Signal +
white	Signal -
shield	On request shield on housing

Ordering Example				Accessories
Series	<b>KM102</b>			<b>External Amplifier</b> <ul style="list-style-type: none"> <li>• IMA2-DMS</li> </ul>
Capacity		<b>30N</b>		
		<b>50N</b>		
		<b>100N</b>		
		<b>150N</b>		
		<b>200N</b>		
		<b>500N</b>		
		<b>1KN</b>		
Connection			<b>K</b>	
Ampifier				<b>0000</b>

(\*) = on request available for projects

24.05.2016