

Data Sheet for Joysticks

Hand Joysticks

Series TRY52



- 1 or 2 axes
- Life expectancy of 10 million cycles
- Sealed up to IP63
- Multifunction handle for additional functions, e.g. switches, rockers, deadman switch
- Optional interfaces: USB, CANbus J1939 or CANopen

The TRY52 offers everything a joystick for heavy-duty applications needs: High durability of all components, IP63 (depending on specific configuration), and an ergonomic handle design for the integration of further functional devices like e.g. switches, rockers, mini joysticks, trigger, deadman switch, and others.

The Series TRY52 is the best choice for customer-specific applications requiring individual configuration optimal suited to your application. As there is a large variety of possible configurations for these joysticks, we kindly ask you to contact us to discuss the best solution for you.

Electrical Data Joystick

Sensors	Hall-Effect
Supply Voltage	5 VDC ±0.5 VDC transient free
Supply Current	13 mA per sensor
Reverse Polarity Max	-10 V
Overvoltage Max	20 V
Output Impedance	2 Ohm
Resolution	1.22 mV
Independent Linearity Tolerance	±2 % full scale
Return to Center Voltage Tolerance	±200 mV initial
Output Voltages	0 to 5 V / 0.5 to 4.5 V / 0.25 to 4.75 V / redundant output available

Mechanical and Environmental Data Joystick

Expected Life	10 million cycles (typical use)
Mechanical Angle of Movement	40° (±20° from center)
Break Out Force	5,6 N
Operating Force	7,5 N
Maximum Applied Force	650 N
Environmental Sealing	up to IP63
Operating Temperature	-40 °C to +70 °C (CAN-bus: -25 °C .. +75 °C)
Storage Temperature	-40 °C to +75 °C
EMC Immunity Level (V/M)	IEC 61000-4-3:2006
EMC Emissions Level	IEC 61000-4-8:2009
ESD	IEC 61000-4-2:2008

Notes:

1. All values are nominal
2. Exact specifications may be subject to configuration

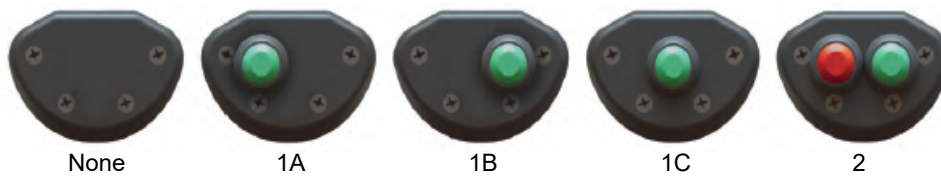
Data Sheet for Joysticks

Hand Joysticks

Series TRY52



Lower Face Buttons



Pushbuttons Characteristics

Max. Current / Voltage Rating with Resistive Load	400 mA 32 VAC - 100 mA 50 VDC - 125 mA 125 VAC
Low Level	10 mA at 30 mV
Electrical Life at Full Load	500000 cycles
Mechanical Life	1 million cycles
Environmental Seal	IP67
Action	Momentary, pushbutton
Operating Force	7 N ±3 N
Total Travel	1.9 mm ±0.3 mm
Pushbutton Colours available	White, grey, black, red, orange, yellow, green, blue, violet

Notes:

1. The maximum possible configuration for the handle of TRY52 is up to 2 front buttons, 6 top buttons, and a deadman lever
2. If unspecified, the pushbuttons will have momentary "normally open" switches with red caps

Data Sheet for Joysticks

Hand Joysticks

Series TRY52

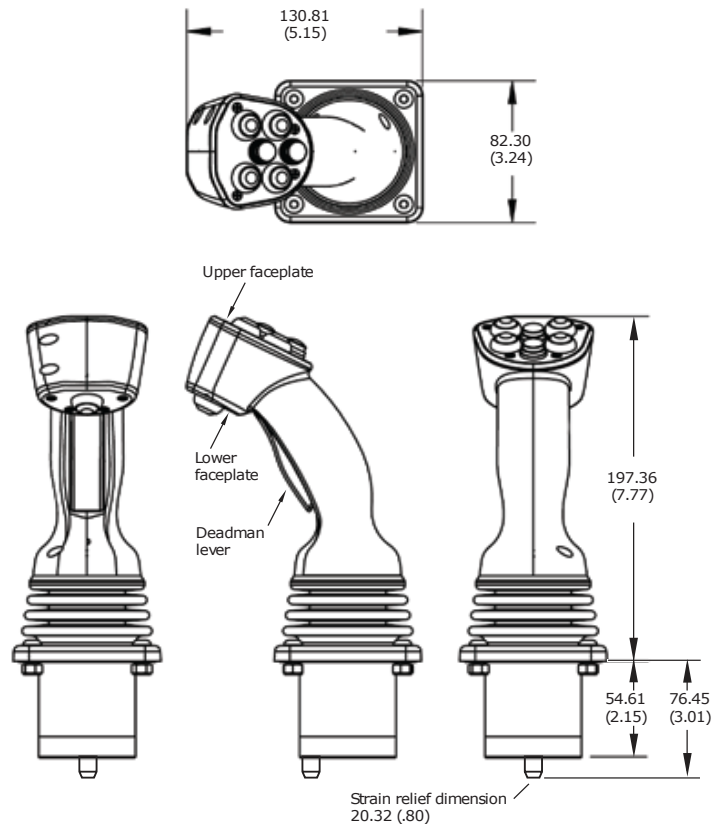
Order Code

Series	TRY52								
Axes									
1		1							
2		2							
Rubber Boot			5						
Return Mechanism									
Spring „Standard“				1					
Limitier Plate									
Square						1			
Square rotated by 45° / Diamond						2			
Round						3			
Slotted X (single axis only)						7			
Slotted Y (single axis only)						8			
Plus						9			
Square, Guided Feel in X & Y						GS			
Round, Guided Feel in X & Y						GR			
Output Options									
0 to 5 V (rail to rail)						1			
0.5 to 4.5 V						2			
0.25 to 4.75 V						3			
USB 2.0 HID						5			
Voltage Regulator						V			
CANbus J1939						CAN			
CANopen						COP			
Custom						X			
Upper Face Buttons									
None								0	
1								1	
2								2	
3								3	
4								4	
5								5	
6								6	
Custom								X	
Lower Face Buttons (s. page 2)									
None									0
1A									1A
1B									1B
1C									1C
2									2
Custom									X
Deadman Lever									
None									0
Deadman Paddle									1

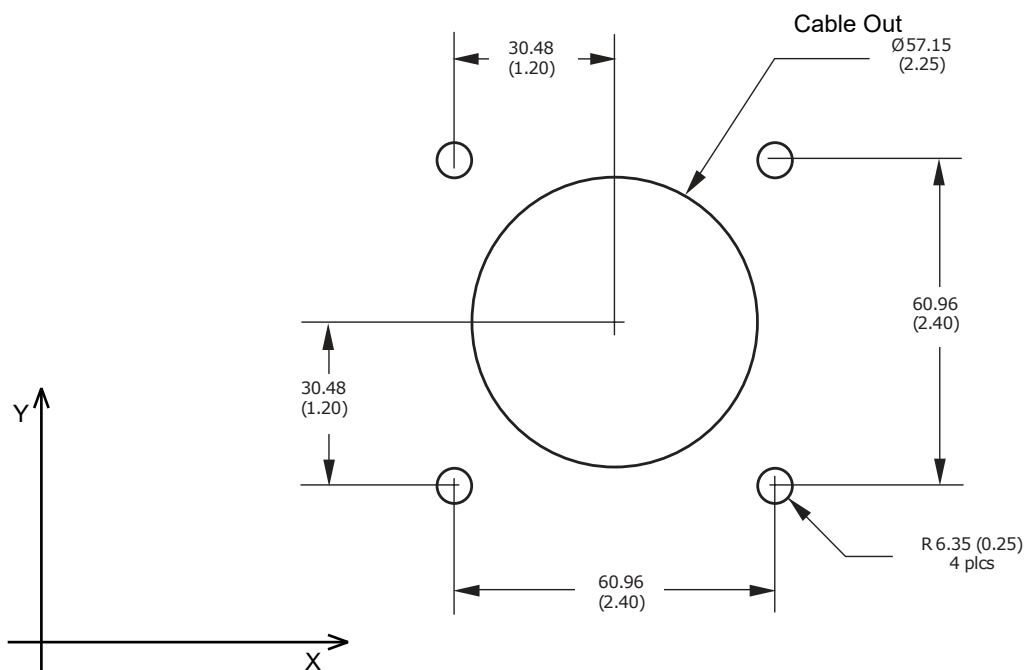
Note:

Further options like e.g. dual output voltages (inverse and parallel), discrete output, mouse emulation, center detect, different spring tensions, IP63 sealing, etc. are available. Please contact us to discuss your specific requirements.

Drawing



Standard Panel Cutout Dimensions



All dimensions in mm

Data Sheet for Joysticks

Hand Joysticks

Series TRY52

Wire Colour Code

Colour	Function	Colour	Function	Colour	Function
BLACK	Ground	WHITE	Switch Common	VIOLET/WHITE	Deadman
RED	Vcc	ORANGE	Switch 1	YELLOW/WHITE	Proximity Sensor
BLUE	X Axis	VIOLET	Switch 2	RED/WHITE	Index Trigger
YELLOW	Y Axis	GRAY	Switch 3	LIGHT GREEN	LED 1
GREEN	Z Axis	BROWN	Switch 4	LIGHT ORANGE	LED 2
		PINK	Switch 5	GRAY/WHITE	LED 3
		BLUE/WHITE	Switch 6	BLACK/WHITE	LED 4
		YELLOW/BLACK	Switch 7		
		GREEN/BLACK	Switch 8		

Notes:

1. Standard cable length ca. 400 mm; cable AWG 28 for joystick functions, cable AWG 22 for switches, LEDs, etc.
2. Joysticks with USB interface or mouse emulation are supplied with wiring with USB male type A connector; optionally ruggedized military connectors are available.

Technical Data - CANbus J1939 (*)

CAN-bus conform to SAE J1939 Serial Bus Specification.
I/O extensions for up to 24 digital and 11 analog inputs.

Supply Voltage	6 to 35 VDC
Supply Current	min. 15 mA; +10 mA per axis; +5 mA per LED
Operating Temperature	-25 °C to +70 °C
Storage Temperature	-40 °C to +70 °C

Wire Colour Code - CANbus J1939

Colour	Function	Color	Function	Color	Function
BLACK	Ground	GREEN	CAN high data	BLUE	Identifier Select LSB
RED	Vcc	WHITE	CAN low data	ORANGE	Identifier Select MSB

Notes:

1. Additionally to CAN J1939 a CANopen version is available. Please contact us.
2. Customer-specific and standard cable assembly available (e.g. Deutsch DT04)