

Data Sheet for Joysticks

Hand Joystick

Series 892



- Third axis with rocker switch in handle
- For indoor use

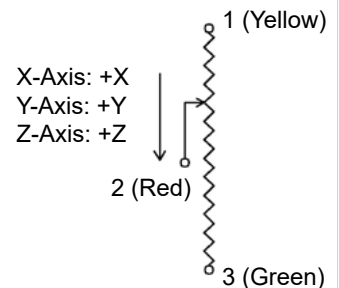
Extremely robust and long trouble-free construction. With the integration of a rocker switch rotating the complete handle to acquire a third axis is not necessary.

Technical Data Joystick

Angle of Movement X+Y Axis	±20° .. ±25°
Angle of Movement Z-Axis	±15° .. ±19°
Return to Center Accuracy X+Y Axis	±2°
Operating Force X+Y Axis	0,8 .. 2,3 N
Operating Force Z-Axis	24 .. 30 mNm
Lifetime	typ. 5 million cycles (X & Y), typ. 2 million cycles (Z)
Vibration 10 bis 55 Hz	10 G
Shock	30 G
Protection Grade	IP40
Operating Temperature	-20°C .. +65°C
Weight	ca. 410 g
Panel Thickness	1 .. 4 mm
Length of Wires	300 mm, AWG26

Technical Data Potentiometer

	Type F (X- & Y-Axis)	Type D (Z-Axis)
Technology	Conductive Plastic	Conductive Plastic
Nominal Total Resistance	10 kOhm	10 kOhm
Resistance Tolerance	±15%	±15%
Independent Linearity	±3%	±3%
Power Rating @ 70°C	0,13 W	0,3 W
Effective Electrical Angle of Rotation	40°	30°
Max. Wiper Current	1 mA	1 mA



Note: Max. Voltage < 50VAC resp. < 75VDC, additionally max. power rating must be considered.

Data Sheet for Joysticks

Hand Joystick

Series 892

Order Code

Series	892					
Axes 3 Axes		3				
Rubber Boot			5			
Spring Return				1		
Handles Handle cylindrical, with Rocker					1	
Sensor Potentiometer Type F (X + Y), Type D (Z)						4

For higher quantities or on-going demand, additional options are available

For example:

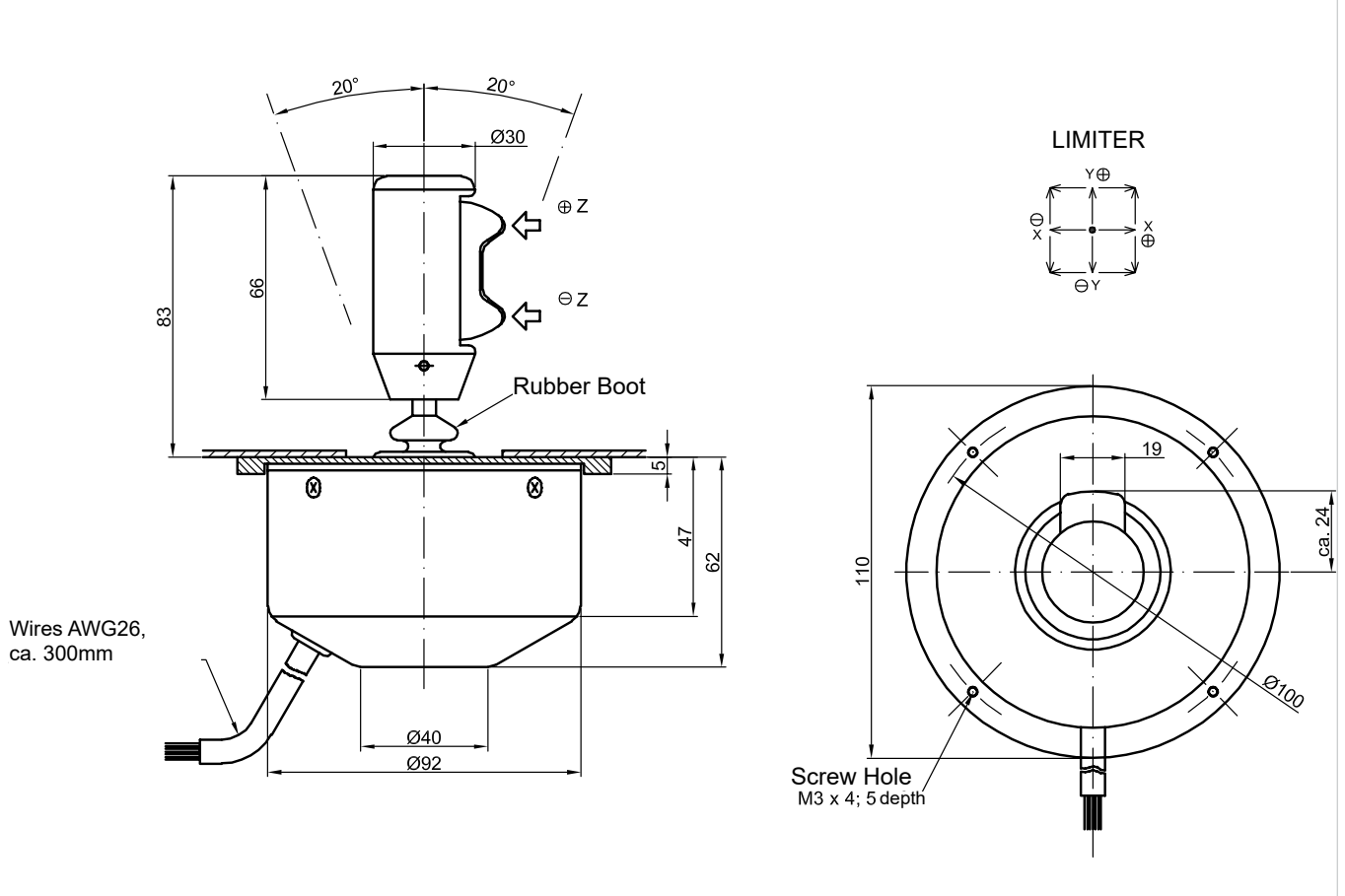
- Customer-specific cable
- Further Nominal Total Resistances

Data Sheet for Joysticks

Hand Joystick

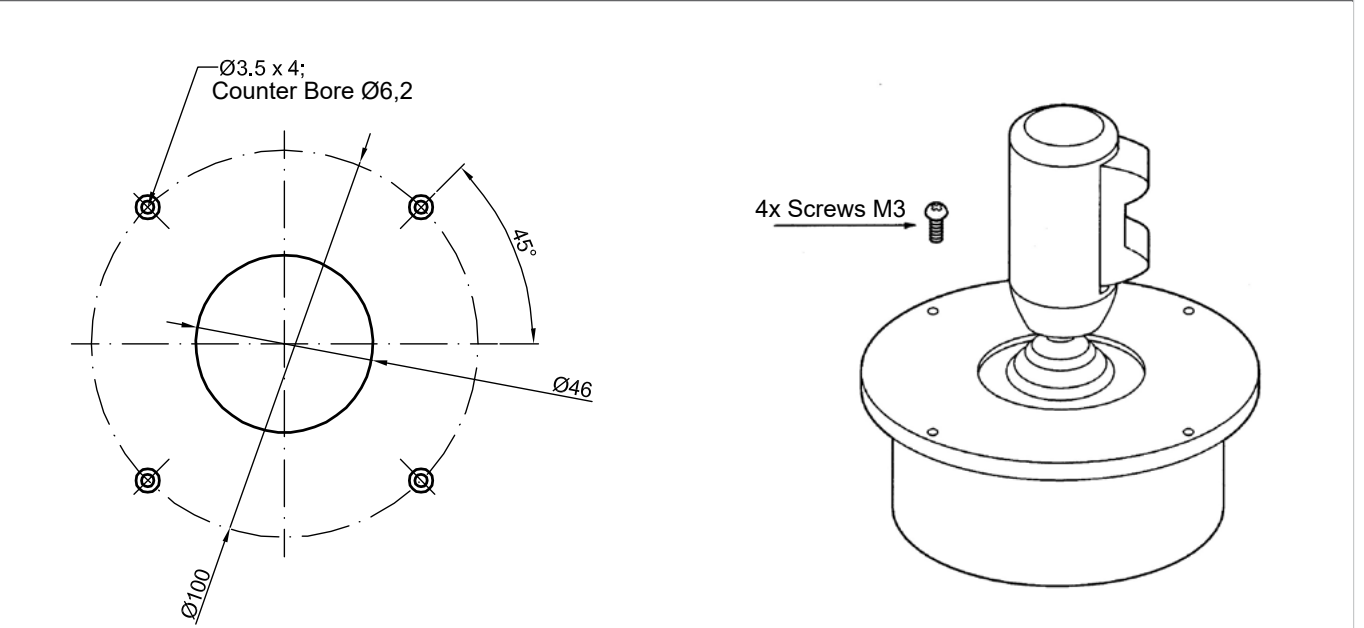
Series 892

Technical Drawing



Dimensions in mm

Mounting Cut-Out



Dimensions in mm