

Data Sheet for Joysticks

Desktop Joystick

Series MACH V



- 12 switching operations, two of them integrated inside handle
- Ergonomic desktop housing
- USB interface (HID 1.1 compliant)

The Mach V series is especially suited for application in conjunction with CCTV. The precise sensors allow sensitive steering of the orientation and zoom of video cameras. With the integration of 10+2 pushbuttons many different operations can be realized, e.g. selection of camera to operate. Extensive switching functions can be realized via the 12 buttons integrated in the housing and on the knob. For example, the selection of up to 10 individual surveillance cameras is possible via the housing buttons. Zoom, record or other functions can be controlled via the buttons in the handle. But the extensive functionality of the housing buttons also opens up many new possibilities for other applications, e.g. in medical technology.

Technical Data

Sensor	Hall Effect Sensor
Supply Voltage	5 VDC via USB Interface
Power Consumption	32mA
Independent Linearity Tolerance	±2% full scale
Expected Life	3 million cycles
Mechanical Angle of Movement X-, Y-Axis	36° (±18° from center)
Mechanical Angle of Movement Z-Axis	60° (±30° from center)
Operating Force X-, Y-Axis	2,8 N
Operating Force Z-Axis	0,12 Nm
Operating Temperature	- 25°C..+ 85°C
Weight	440g
Protection Class	For indoor use
Supported Protocols	USB 1.1 Game Controller, Direct X (Gaming Control) Joystick: Three HID axes, Pushbuttons: 12 HID buttons Uses standard DirectX HID drivers
Approvals	EN 55024:1998, EN 55022, CE FCC Part 15 Subpart B Class B RoHs compliant

Order Description

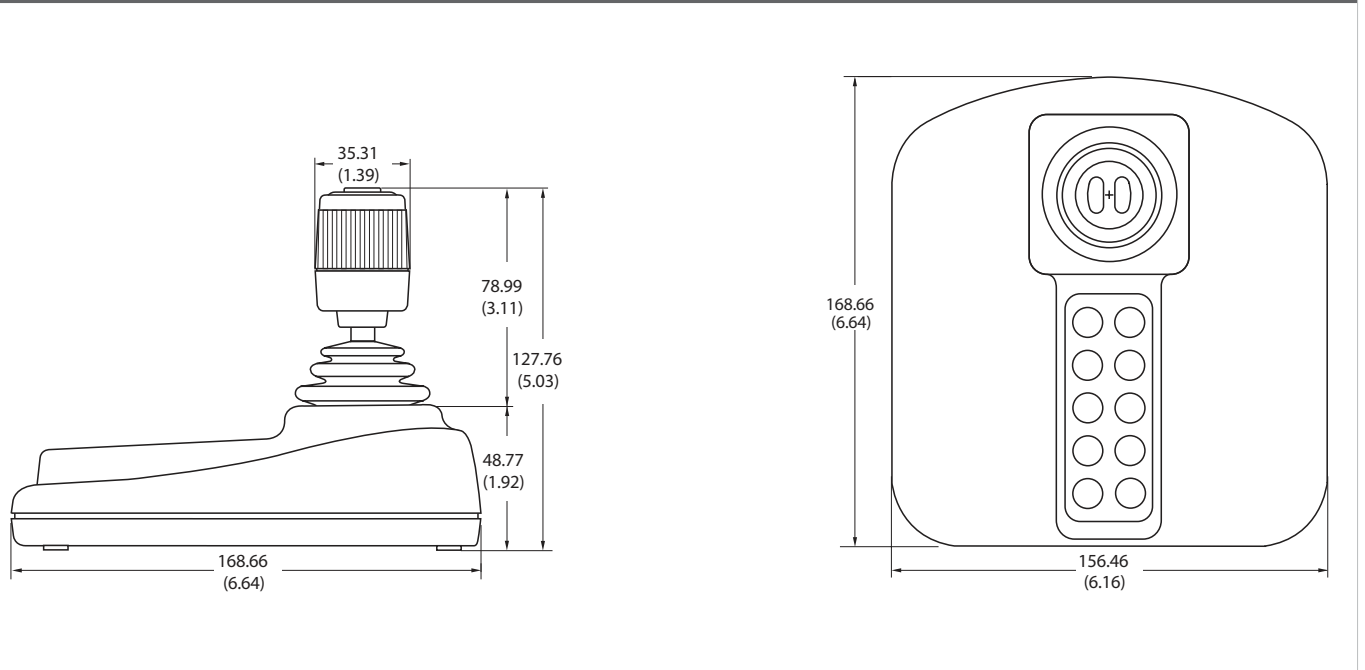
Series	MACH V						
3 Axes with Pushbutton(s)		5					
Rubber Boot			5				
Spring Return				1			
Handle for 3 Axes, 2 Pushbuttons					A		
Limiter square						1	
USB Interface							5

Data Sheet for Joysticks

Desktop Joystick

Series MACH V

Drawing



All dimensions in mm (inch)