

Data Sheet for Joysticks

Thumb Joystick

Series TRY13m



- 1-axis miniature joystick
- Hall-effect sensor
- Easy snap-in mounting
- Thumb wheel in several colours available
- With analogue voltage output or PWM

The TRY13m is a thumb joystick in miniature size. Compact dimensions allow high density of components, making the TRY13m an ideal choice when space is limited. The TRY13m joysticks can be integrated into hand-gripped joysticks (e.g. TRY81), or into mobile or stationary user panels and remote controls.

Electrical Data

| | |
|------------------------------------|---|
| Sensor | Hall Effect |
| Supply voltage | 5 ± 0.5 VDC transient free |
| Resolution | 1,22 mV |
| Return to center voltage tolerance | ±200 mV |
| Output signal | 0 to 5 V / 0.25 to 4,75 V / 0.5 to 4.5 V / 1 to 4 V / PWM |
| Current consumption max. | ca. 8 mA |
| Output impedance | 2 Ω |

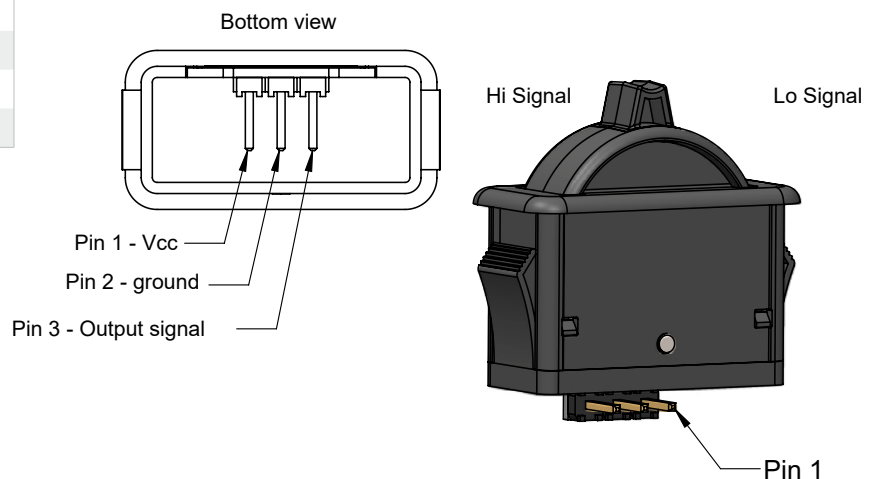
Mechanical and Environmental Data

| | |
|------------------------------|--|
| Mechanical angle of movement | ±45° from center |
| Expected life | 3 million cycles |
| Sealing | Electronics only waterproof (conformal coating of PCB) |
| Operating temperature | -40°C .. +85°C |
| Storage temperature | -40°C .. +85°C |
| EMC immunity level | EN61000-4-3 |
| EMC emissions level | EN61000-6-3:2001 |
| ESD | EN61000-4-2 |

Wiring

| Function | Pin |
|---------------|-----|
| Vcc | 1 |
| Ground | 2 |
| Output signal | 3 |

Connection with 3-position connector (2.54 mm pitch).
Please contact us for project specific wiring and connectors.



Data Sheet for Joysticks

Thumb Joystick

Series TRY13m

Order Code

| | | | | | | |
|--|--------|---|---|------------------|-----------------------|---|
| Series | TRY13m | | | | | |
| Axes: 1 Axis | 1 | | | | | |
| Square Form | | 0 | | | | |
| Spring Return | | | 1 | | | |
| Thumbwheel: Black Grey Black with Tab Grey with Tab | | | | 1 2 5 6 | | |
| Output Signal: 0 to 5.0 V (rail to rail) 0.5 to 4.5 V 1.0 to 4.0 V 0.25 to 4.75 V Pulse Width Modulation (PWM) | | | | | 1 2 3 4 P | |
| Connection: 3-position connector, 2.54 mm pitch | | | | | | S |

Example:
Integration into hand-grip joystick (e.g. TRY81). TRY13m with and without tabs (red not available).



Comparison: TRY13 and TRY13m



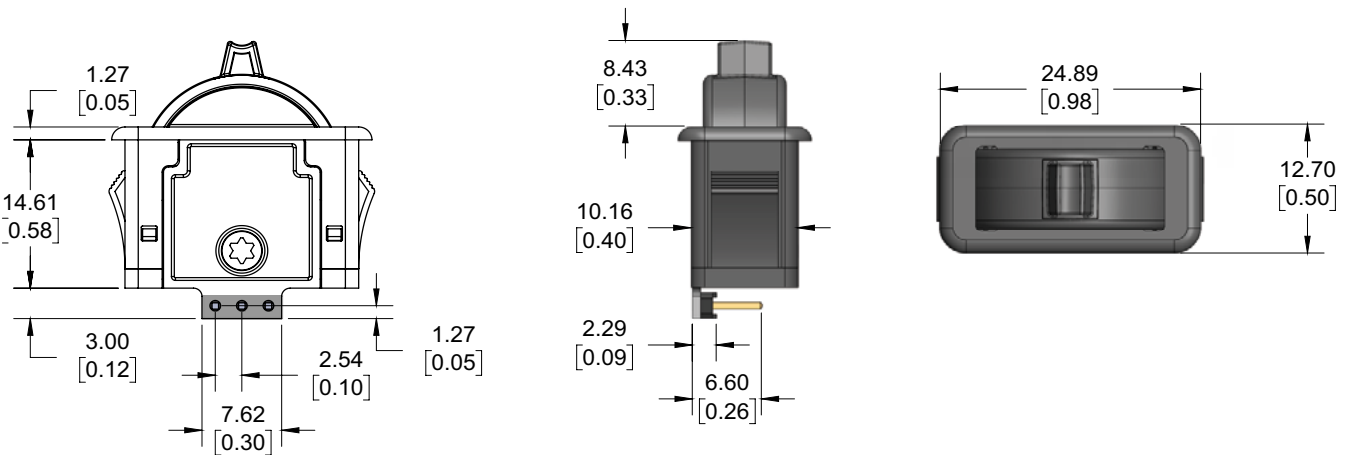
Data Sheet for Joysticks



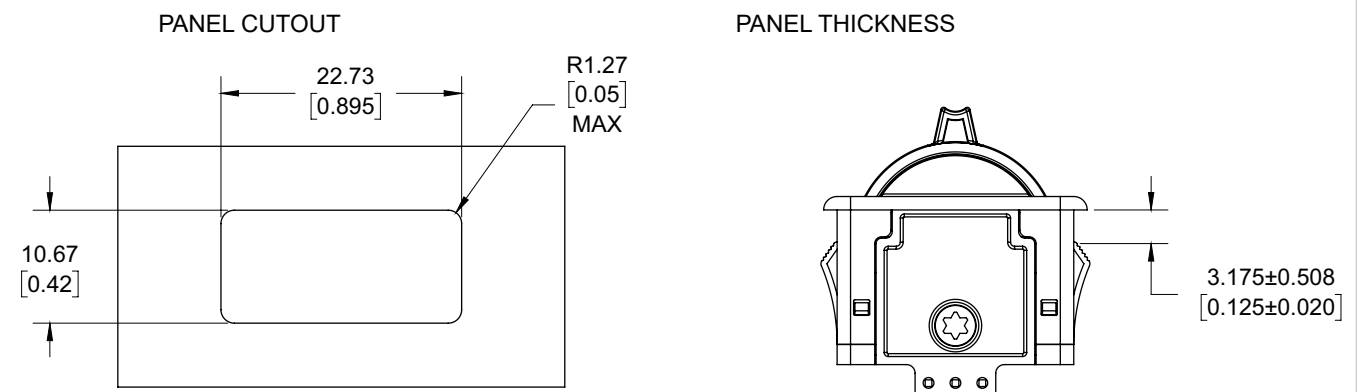
Thumb Joystick

Series TRY13m

Drawing



Mounting



All dimensions in mm (inch).