

# Data Sheet for Inclinometer

Network Absolute Inclinometer

Series MI



- Effective electrical angle of rotation 360°
- One axis
- Protection grade IP68
- RS232 interface (CAN Bus, Modbus RTU on request)
- Plug connection

The MI 3001 stands for a new generation of inclination sensors, which are compact in design and extremely fast in evaluation of measurement values.

The MI is flexible in usage and thanks to IP68, even under increased environmental conditions. For project business BUS interfaces like CAN Bus and MODBUS RTU are available.

## Electrical Data

Effective electrical angle of rotation 1.)	360° (one axis)
Theoretical resolution 1.)	0.01°
Accuracy	±0.1°
Update rate	125 ms (programmable from 2..5000 ms)
Output signal	RS232, (Option CAN-Bus, MODBUS RTU for project business on request)
Supply voltage	min. 5.5 VDC / typ. 24 VDC / max. 30 VDC
Power consumption @ 22° C	
@ 5.5 V	typ. 50 mA
@ 12 V	typ. 30 mA
@ 24 V	typ. 20 mA
Band width	8 Hz

## Mechanical and Environmental Data, Miscellaneous

Max. acceleration	±50000 G
Operating temperature range	-10..+70 °C
Storage temperature range	-10..+70 °C
Protection grade (IEC 60529)	IP68
Connection type	M12 plug 5-pol
Mass	34g
Fastening parts included in delivery	None
Material housing	Glass filled polycarbonate
Electrostatic Discharge, IEC-61000-4-2	± 12 kV
Max. signal cable length: RS232	30 m

1.) Gemäß IEC 60393

# Data Sheet for Inclinometer

Network Absolute Inclinometer

Series MI

## Order Code

<b>Description</b>	Selection: standard=black/bold, possible options=grey/cursive			
<b>Series</b>	<b>MI</b>			
<b>Modell3001</b>		<b>3001</b>		
<b>Supply voltage: 5..30 V (typ. 24V)</b>			<b>24</b>	
<b>Output electronics / interface: RS232</b>				<b>RS232</b>

## Order example MI

### Requirement:

Series MI, Model 3001, Supply Voltage 24V, Interface RS232

**Example for order code: MI 30001 24 RS232**

## For higher quantities or on-going demand, additional options are available as described below

For example:

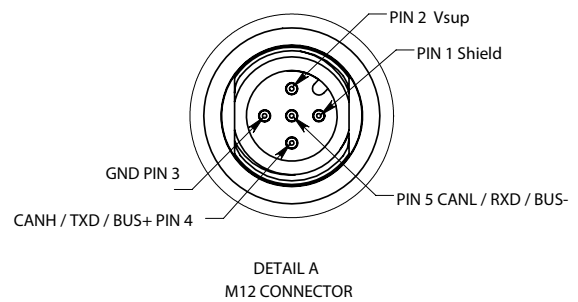
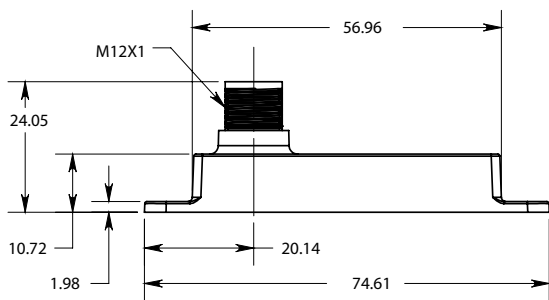
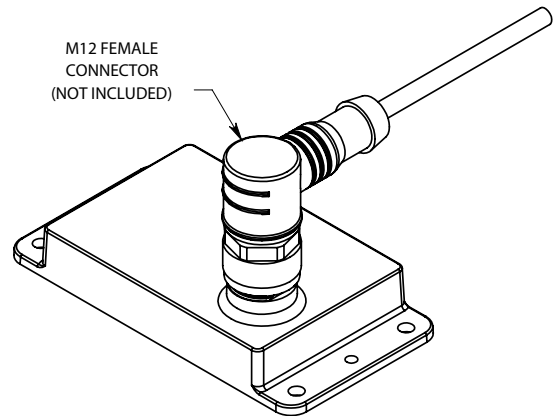
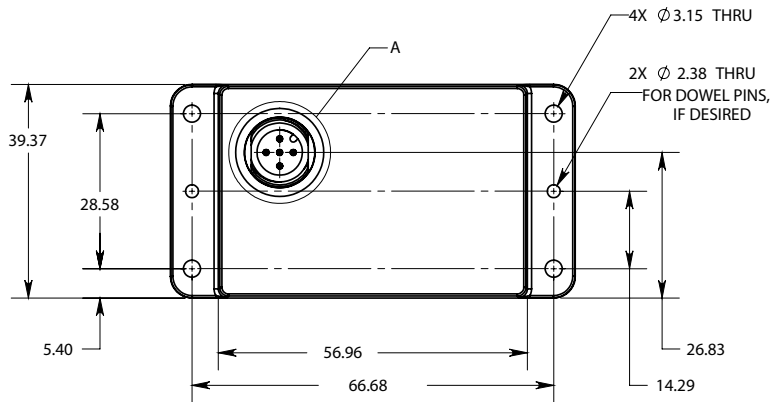
- CAN Bus (max. allowed cable length 210 m, until 64 devices in a network)
- MODBUS RTU (RS485), (max. cable length 300 m, until 32 devices)
- Special connector and cable design

# Data Sheet for Inclinometer

Network Absolute Inclinometer

Series MI

## Technical Drawing



Axis Orientation:

