

Data Sheet for Precision adjustment Knobs

Adjustment Knob

Series OMT

The knob SKT in Ø26 mm housing with 50 dashes, revolution counter (10rev.) and locking mechanism

- Knob with 50 dashes
- Revolution counter for 10 revolutions
- With locking mechanism
- For 3..6.35 mm shaft

The SKT series allows a very precise manual handling with up to 10 revolutions (50 dashes per revolution). The lock prevents unintentional adjustments.

Data adjustment knob

| | |
|-----------------------------|----------------------|
| For shaft diameter | 4 mm with flattening |
| Housing diameter | 30 mm |
| Housing depth | 22,5 mm |
| Operating temperature range | 0 °C up to +60 °C |
| Storage temperature range | -20 °C up to +80 °C |
| Colour housing | Light grey |
| Material knob | ABS |
| Mass | ca. 7 g |

Bestellschlüssel

Description Selection: **standard=black/bold**, possible *options=grey/italic*

| Series | OMT | | | | |
|-------------------------------|-----|-------------|---|--|--|
| For shaft diameter: Ø 4,00 | | 4 MM | | | |
| Housing colour: Grey | | | - | | |

For higher quantities or on-going demand, additional options are available as described below on request

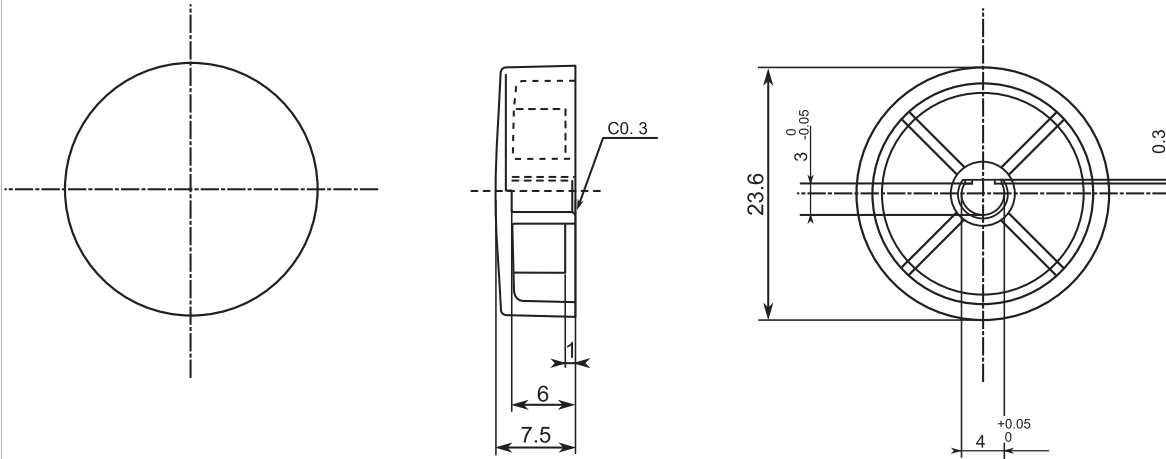
Data Sheet for Precision adjustment Knobs

Adjustment Knob

Series OMT

Drawing

① Knob for pushbutton switch



② Knob for encoder

Dimensions in mm

