

# Data Sheet for Precision adjustment Knobs

Precision adjustment Knob with Locking mechanism and Cardan coupling

Series NKK



The knob NKK in Ø46 mm housing with 100 dashes, revolution counter (20 rev.), locking mechanism and a cardan coupling.

- Knob with 100 dashes
- Revolution counter for 20 revolutions
- With locking mechanism and cardan coupling
- For 6..6,35 mm shaft

The NKK series allows a very precise manual handling with up to 20 revolutions (100 dashes per revolution). The lock prevents unintentional adjustments. The built-in cardan coupling prevents a possible stiffness of the knob, which can result with minimal misalignment.

## Data adjustment knob

Number of full revolutions	up to 20 rev.
Resolution of the scale	Scale with 100 dashes and 20 revolution indication window
Brake available	yes
For shaft diameter	6 mm / 6,35 mm
Housing diameter	46 mm
Housing depth	25 mm (with knob)
Knob diameter	Conical from 22,5 mm (front) to 24 mm (end)
Operating temperature range	-30..+60°C
Storage temperature range	-30..+60°C
Protection grade (IEC 60529)	IP40
Colour housing	Silver or black
Colour adjustment knob	Black with white scale
Material knob/housing	Plastic and metal
Mass	ca. 50 g
Mounting parts included in delivery	Mounting adaptor, nut, hexagon socket wrench

## Bestellschlüssel

<b>Description</b>	Selection: standard=black/bold, possible options=grey/cursive			
<b>Series</b>	<b>NKK</b>			
<b>For shaft diameter:</b> Ø 6,00 Ø 6,35		<b>6 MM</b> <b>1/4"</b>		
<b>Housing colour:</b> <b>Silver</b> <i>Option black</i>			- <i>SCHWARZ</i>	

For higher quantities or on-going demand, additional options are available as described below on request

For example:

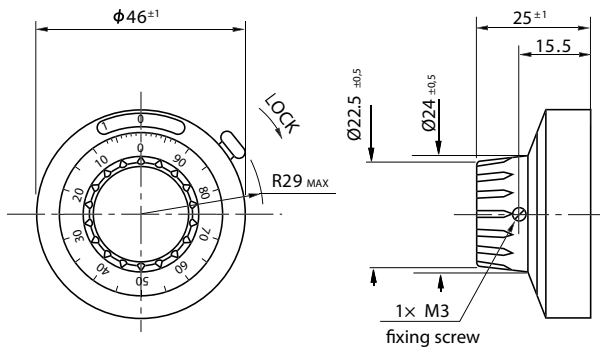
- 10, 5 or 3 revolution indication window

# Data Sheet for Precision adjustment Knobs

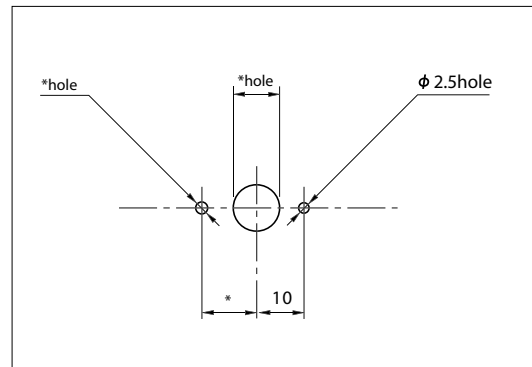
Precision adjustment Knob with Locking mechanism and Cardan coupling

Series NKK

## Drawing

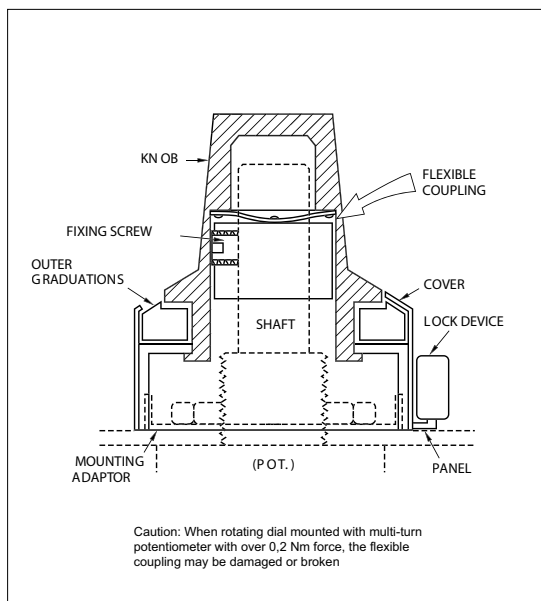


### Panel Arrangements

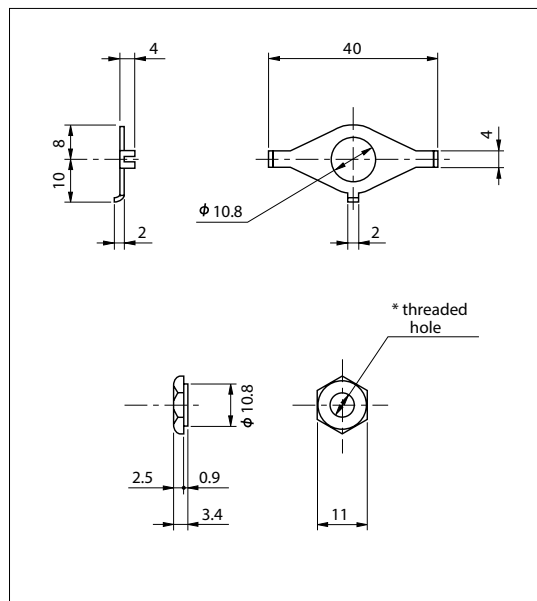


Note: The diameter of \*hole is depending on the diameter of potentiometer to be mounted

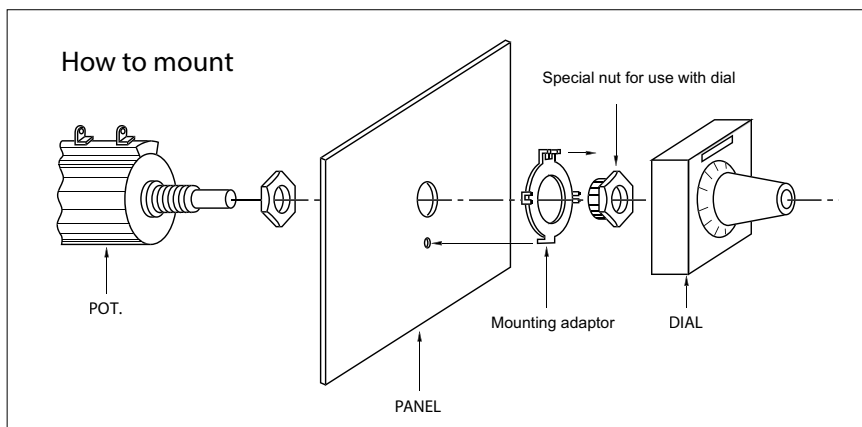
### Flexible coupling



### Mounting Adaptors



### How to mount



Dimensions in mm