

# Data Sheet for Precision adjustment Knobs

Precision adjustment Knob with Locking mechanism

Series MKT



The knob MKT in Ø31 mm housing with 100 dashes, revolution counter (10 rev.) and locking mechanism

- Knob with 100 dashes
- Revolution counter for 10 revolutions
- With locking mechanism
- For 3..6,35 mm shaft

The MKT series allows a very precise manual handling with up to 10 revolutions (100 dashes per revolution). The lock prevents unintentional adjustments.

## Data adjustment knob

Number of full revolutions	up to 10
Resolution of the scale	Scale with 100 dashes and 10 revolution indicator window
Brake available	yes
For shaft diameter	3 mm / 3,175 mm / 4 mm / 6 mm / 6,35 mm
Housing diameter	31 mm
Housing depth	27 mm (with knob)
Knob diameter	Conical from 12,5 mm (front) to 14 mm (end)
Operating temperature range	-30..+60°C
Storage temperature range	-30..+60°C
Protection grade (IEC 60529)	IP40
Colour housing	Silver or black
Colour adjustment knob	Black with white scale
Material knob/housing	Plastic and metal
Mass	ca. 20 g
Mounting parts included in delivery	Mounting adaptor, hexagon socket wrench

## Bestellschlüssel

Description	Selection: standard=black/bold, possible options=grey/cursive			
<b>Series</b>	<b>MKT</b>			
<b>For shaft diameter:</b>				
Ø 6,00		<b>6 MM</b>		
Ø 6,35		<b>1/4"</b>		
Option Ø 3		3 MM		
Option Ø 3,175		3,17 MM		
Option Ø 4		4 MM		
<b>Housing colour:</b>				
<b>Silver</b>			-	
Option black			SCHWARZ	

**For higher quantities or on-going demand, additional options are available as described below on request**

For example:

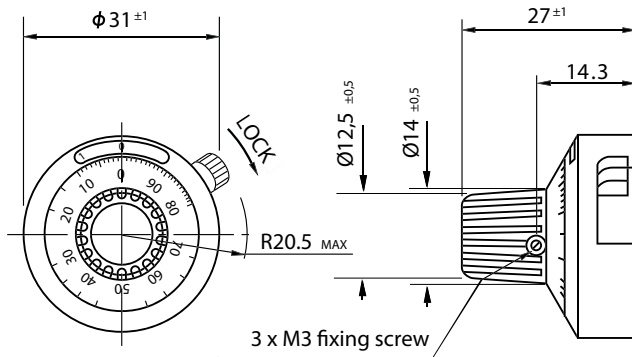
- 5 or 3 revolution indication window

# Data Sheet for Precision adjustment Knobs

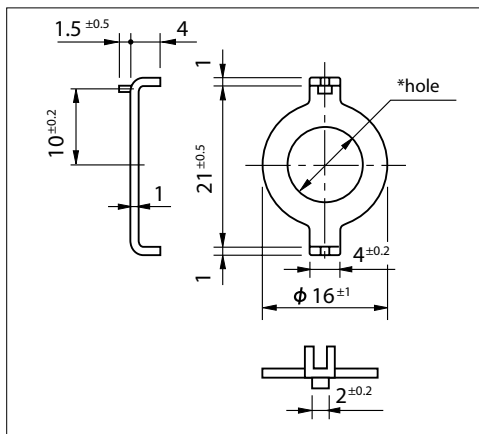
Precision adjustment Knob with Locking mechanism

Series MKT

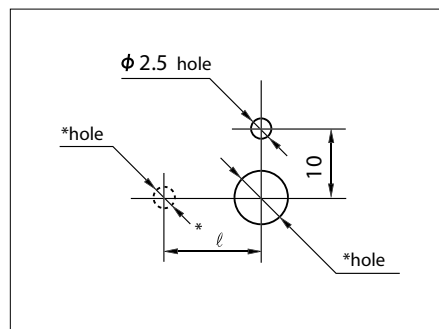
## Drawing



## Mounting Adaptor



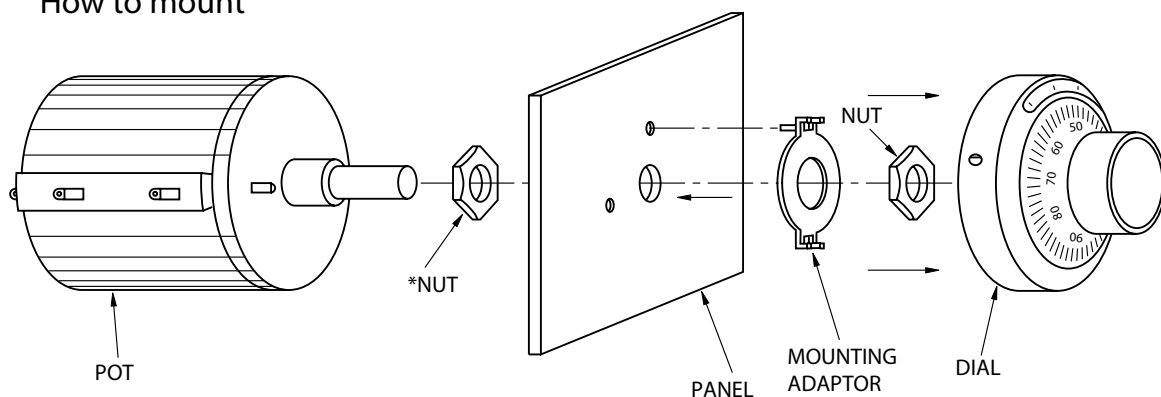
## Panel Arrangements



Note: The diameter of \*hole is depending on the diameter of potentiometer to be mounted

Dimensions in mm

## How to mount



Note: the nut with \* is not always used. It depends on the kind of potentiometer and thickness of the panel.