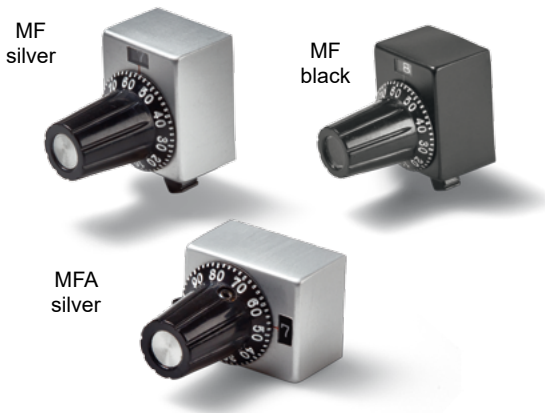


Data Sheet for Precision adjustment Knobs

Precision adjustment knob with locking mechanism and cardan coupling

Series MF



Miniature adjustment knob MF in 18,5 x 15 mm housing with 50 dashes, revolution counter (10 rev.), locking mechanism and cardan coupling.

- With locking mechanism
- Housing in silver or black
- Flexible coupling for optimal handling
- MF for vertical and MFA for horizontal mounting
- For 3..4 mm shafts

The flexible coupling mechanism prevents a possible stiffness of the knob which can result with minimal misalignment. The lock prevents unintentional adjustments.

Data adjustment knob

Number of full revolutions	10
Counter range of the adjustment knob	Scale with numbers (50 dashes) and revolution counter (10 rev.)
Brake available	yes
For shaft diameter	3 mm / 3,175 mm / 4 mm
Shaft length (of sensor) over panel	max. 21 mm, min. 15 mm
Housing dimensions	18,4 x 15 mm
Housing depth	10,5 mm (with knob 24 mm)
Knob diameter	Conical from 8,5 mm (front) to 10 mm (end)
Operating temperature range	-30..+60°C
Storage temperature range	-30..+60°C
Protection grade (IEC 60529)	IP40
Colour housing	Black, silver
Colour adjustment knob	Black with white scale
Material knob/housing	Plastic and metal
Mass	ca. 15 g
Mounting parts included in delivery	Lock ring, nut, hexagon socket wrench

Order code

Description	Selection: standard=black/bold, possible options=grey/cursive				
Series:					
Vertical mounting	MF				
Horizontal mounting	MFA				
Counter range:					
Revolution counter 10		10			
For shaft diameter:					
Ø 3,00			-3 MM		
Ø 3,175			-3,17 MM		
<i>Option Ø 4</i>			<i>-4 MM</i>		
Housing colour:					
Silver				-	
<i>Option black</i>				<i>SCHWARZ</i>	

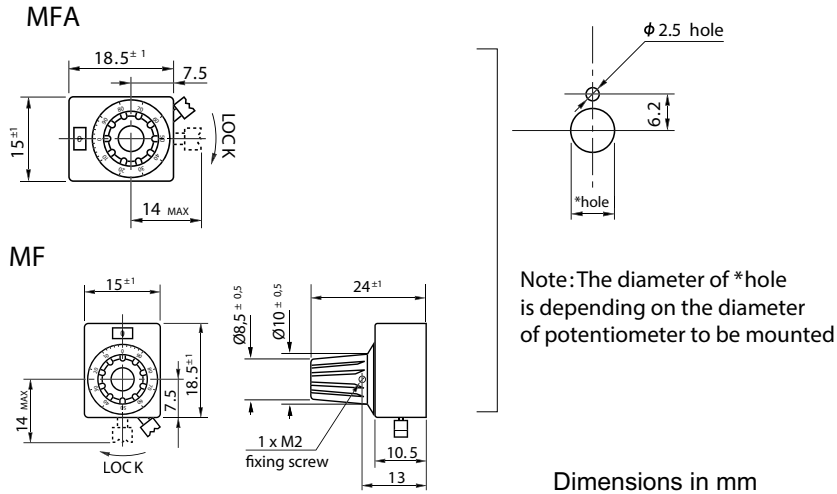
Data Sheet for Precision adjustment Knobs

Precision adjustment knob with locking mechanism and cardan coupling

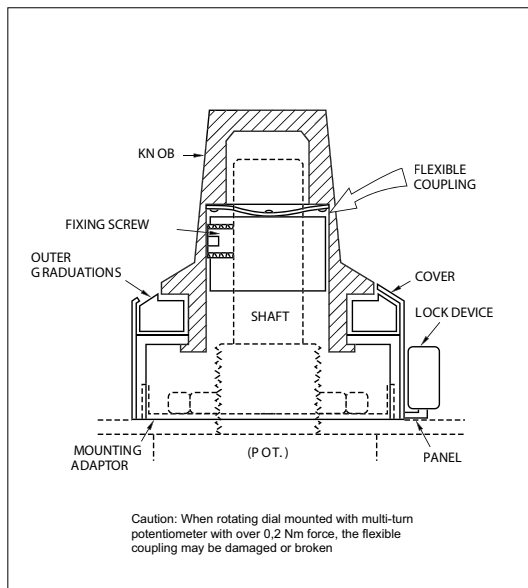
Series MF

Drawing

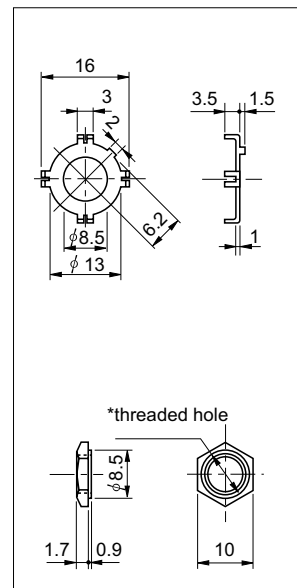
Panel Arrangements



Flexible coupling



Mounting Adaptors



How to mount

