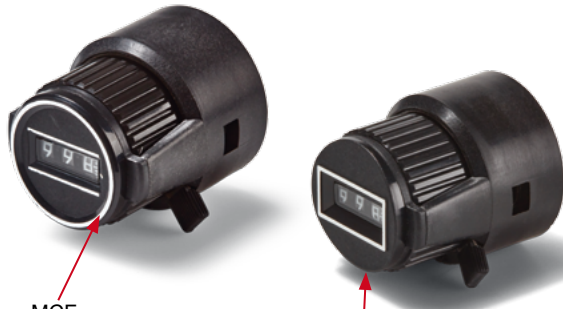


Data Sheet for Precision adjustment Knobs

Precision adjustment knob with digit role and locking mechanism

Series MCF



MCF
with decorative
ring
around the lens

MCFK
without decorative
ring
around the lens

Adjustment knob MCF in Ø27 mm housing with 3 digit display (10 rev.) and locking mechanism

- Knob with 3 digit display
- With locking mechanism
- For 3..6,35 mm shafts
- MCFK - version without decorative ring around the lens

The MCF series allows a very precise manual handling with 10 revolutions. The lock prevents unintentional adjustments.

Data adjustment knob

Number of full revolutions	10
Counter range of the adjustment knob	3 digit counter role (000..999)
Brake available	yes
For shaft diameter	3 mm / 3,175 mm / 4 mm / 6 mm / 6,35 mm
Shaft length (of sensor) over panel	max. 18 mm, min. 11 mm
Housing dimensions	27 mm
Housing depth	31,5 mm
Knob diameter	23 mm
Operating temperature range	-30..+60°C
Storage temperature range	-30..+60°C
Protection grade (IEC 60529)	IP42
Colour adjustment knob	Black - MCF with decorative ring, MCFK without
Material knob/housing	Plastic and metal
Mass	ca. 30 g
Mounting parts included in delivery	Nut, hexagon socket wrench

Order code

Description	Selection: standard=black/bold, possible options=grey/cursive				
Series:	MCF				
Decorative ring: With decorative ring <i>Option without decorative ring</i>		- K			
For shaft diameter: Ø 6,00 Ø 6,35 <i>Option Ø 3</i> <i>Option Ø 3,175</i> <i>Option Ø 4</i>			6 MM 1/4 " 3 MM 3,17 MM 4 MM		

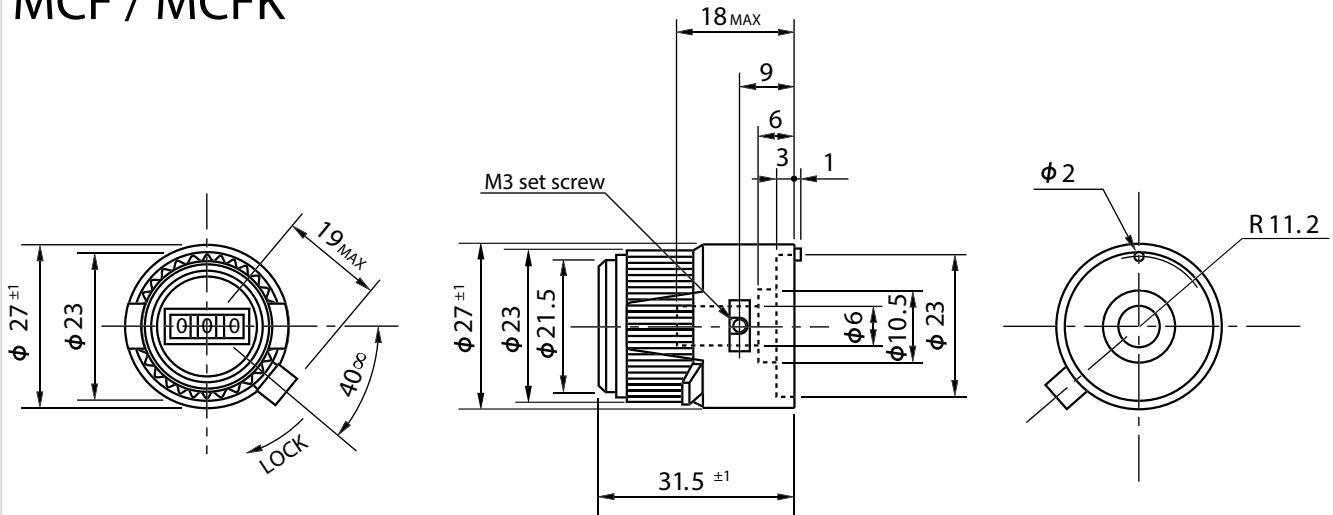
Data Sheet for Precision adjustment Knobs

Precision adjustment knob with digit role and locking mechanism

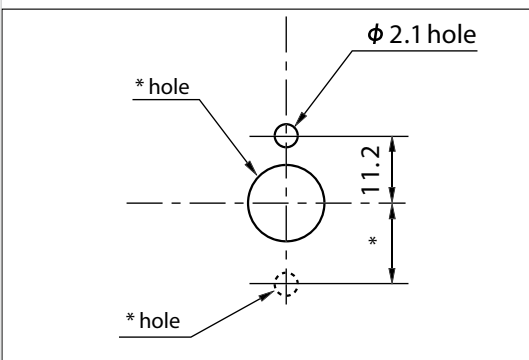
Series MCF

Drawing

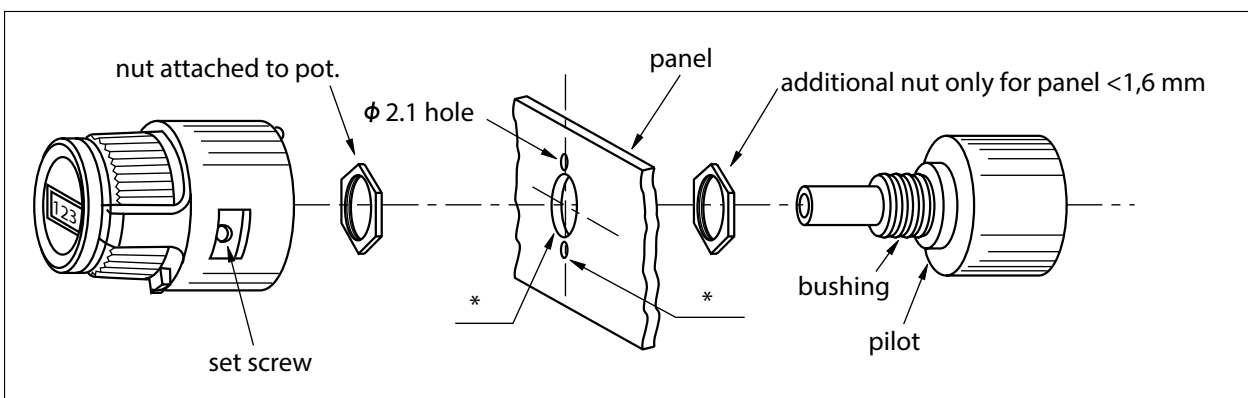
MCF / MCFK



Panel Arrangements



Note: The diameter of *hole is depending on the diameter of potentiometer to be mounted.



Note: One additional nut is attached as standard accessory.