

# Data Sheet for Precision adjustment Knobs

Precision adjustment knob with digit role and locking mechanism

Series DCD



DCD  
4 digits

**Adjustment knob DCD in 26 x 44 mm housing with 3 or 4 digit display for 10 or 100 revolutions and locking mechanism.**

- Knob with 3 or 4 digit display
- For 10 or 100 revolutions
- With locking mechanism
- For 3..6,35 mm shafts
- Housing in grey or black

The DCD series allows a very precise manual handling with up to 10 or 100 revolutions. The lock prevents unintentional adjustments.

## Data adjustment knob

Number of full revolutions	10 or 100
Counter range of the adjustment knob	3 or 4 digit counter role (000..999 or 0000..9999)
Brake available	yes
For shaft diameter	3 mm / 3,175 mm / 4 mm / 6 mm / 6,35 mm
Shaft length (of sensor) over panel	max. 21 mm, min. 16,5 mm
Housing dimensions	26 x 44 mm
Housing depth	16,5 mm (with knob 26 mm)
Knob diameter	Conical from 15 mm (front) to 16,5 mm (end)
Operating temperature range	-30..+60°C
Storage temperature range	-30..+60°C
Protection grade (IEC 60529)	IP40
Colour housing	Black, silver
Colour adjustment knob	Black
Material knob/housing	Plastic and metal
Mass	ca. 60 g
Mounting parts included in delivery	Hexagon socket wrench

# Data Sheet for Precision adjustment Knobs

Precision adjustment knob with digit role and locking mechanism

Series DCD

## Order code

### Description

Selection: standard=black/bold, possible options=grey/cursive

### Series:

DCD

### Number of digits:

3 digit display

10

4 digit display

100

### For shaft diameter:

Ø 6,00

6 MM

Ø 6,35

1/4 "

Option Ø 3

3 MM

Option Ø 3,175

3,17 MM

Option Ø 4

4 MM

### Housing colour:

Black

SCHWARZ

Gray

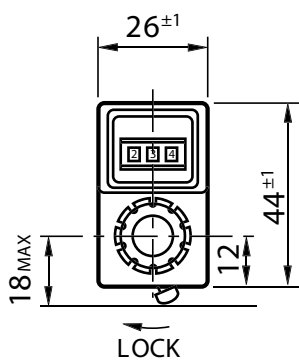
GRAU

**For higher quantities or on-going demand, additional options are available as described below on request**

For example: Other housing colours such as aluminium, versions with cardan coupling, without anti-rotation pin, without locking mechanism etc.

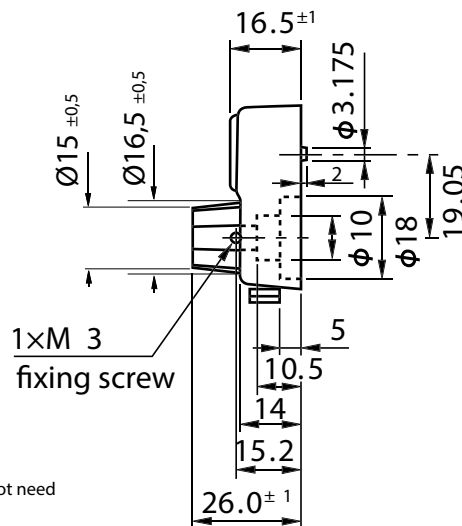
## Drawing

### DCD 10 / 100

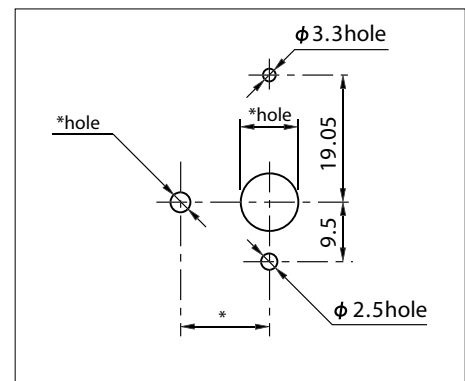


Note: DCD 100 with 4 digits

Note: Version with anti rotation pin does not need mounting adaptor or nut



### Panel Arrangements



Note: The diameter of \*hole is depending on the diameter of potentiometer to be mounted.

Dimensions in mm