

Data Sheet for Precision adjustment Knobs

Precision adjustment knob with digits role and locking mechanism

Series DAT



DAT
grey

DAT
black

The knob in Ø24 mm housing has a locking mechanism and a 3-digits role with lens. The lock prevents unintentional adjustments.

- Adjustment knob with 3-digits role
- With locking mechanism (on request without)
- For 6.00 mm and 6.35 mm shafts

The knobs of the series DAT were developed under ergonomic aspects. The integrated digit role ensures high reading accuracy.

Data adjustment knob

Number of full revolutions	10
Counter range of the adjustment knob	3-digits role (000..999)
Brake available	yes
For shaft diameter	6,00 mm / 6,35 mm
Shaft length (of sensor) over panel	max. 19 mm, min. 14 mm
Housing diameter	24 mm
Housing / knob depth	36 mm
Knob / housing diameter	Conical from 21 mm (front) to 24 mm (end)
Operating temperature range	-30..+85°C
Storage temperature range	-30..+85°C
Protection grade (IEC 60529)	IP42
Colour adjustment knob	Black, grey, white
Material knob/housing	Plastic and metal
Mass	ca. 40 g
Mounting parts included in delivery	Lock ring, nut, hexagon socket wrench

Order code

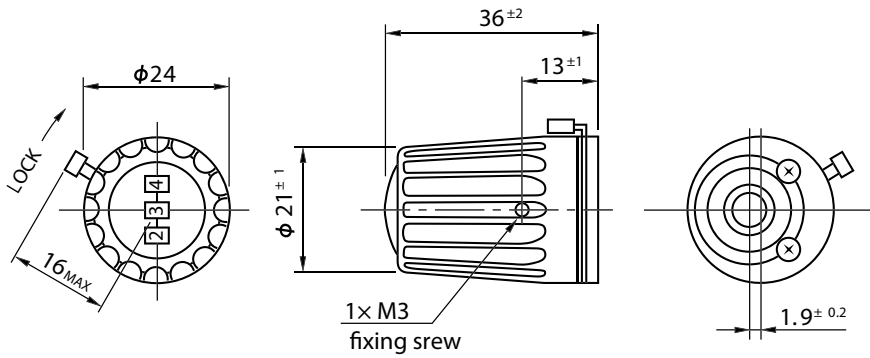
Description	Selection: standard=black/bold, possible options=grey/cursive					
Series	DAT					
For shaft diameter: Ø 6,00 Ø 6,35		6 MM 1/4"				
Knob colour: Black Grey <i>Option white</i>			SCHWARZ GRAU <i>WEISS</i>			

Data Sheet for Precision adjustment Knobs

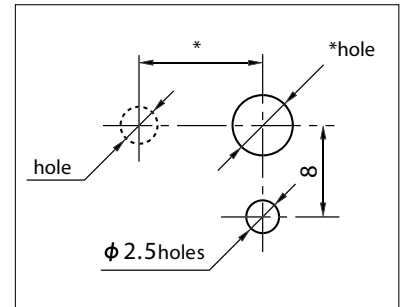
Precision adjustment knob with digits role and locking mechanism

Series DAT

Drawing



Panel Arrangements



Note: The diameter of *hole is depending on the diameter of potentiometer to be mounted.
1 pc. each of mounting adaptor and the hexagonal wrench are attached.

