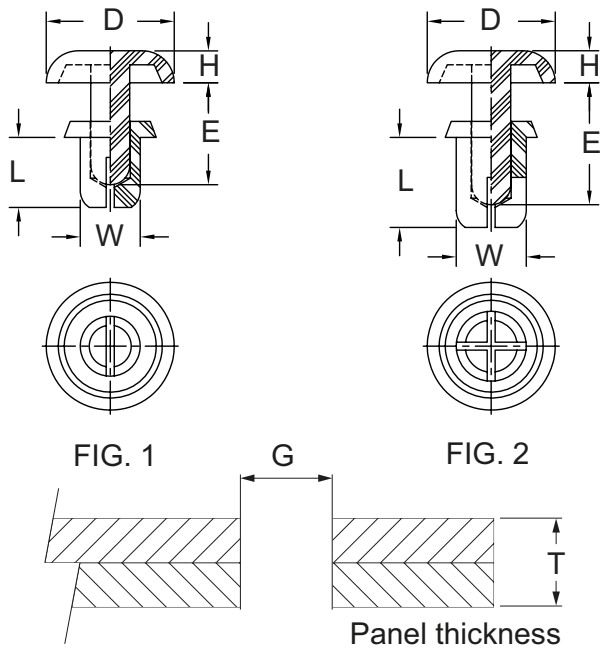


Dimensions in inch (mm)

Series PNKH



Article	HOLE DIA. "G"	THICKNESS "F"	"A" ±.012 (±0.3)	"B" ±.008 (±0.2)	"C" ±.012 (±0.3)	"D"	"E" ±.012 (±0.3)	FIG. NO.
PNK H 3035	.122-.126 (3.1-3.2)	.039-.079 (1.0-2.0)	.252 (6.4)	.039 (1.0)	.14 (3.5)	.118 (3.0)	.26 (6.5)	1
PNK H 3045		.079-.118 (2.0-3.0)			.18 (4.5)			
PNK H 3055		.118-.157 (3.0-4.0)			.22 (5.5)			
PNK H 3065		.157-.197 (4.0-5.0)	.26 (6.5)		.39 (10.0)			
PNK H 3080		.197-.256 (5.0-6.5)	.31 (8.0)					
PNK H 3090		.256-.295 (6.5-7.5)	.35 (9.0)					
PNK H 3100		.295-.335 (7.5-8.5)	.252 (6.4)		.39 (10.0)		2	
PNK H 3535	.142-.146 (3.6-3.7)	.039-.079 (1.0-2.0)	.236 (6.0)	.138 (3.5)	.14 (3.5)	.26 (6.5)		
PNK H 3545		.079-.118 (2.0-3.0)			.18 (4.5)			
PNK H 3555		.118-.157 (3.0-4.0)			.22 (5.5)			
PNK H 3560		.138-.177 (3.5-4.5)	.24 (6.0)		.39 (10.0)			
PNK H 3570		.177-.217 (4.5-5.5)	.28 (7.0)					
PNK H 3580		.217-.256 (5.5-6.5)	.31 (8.0)					