

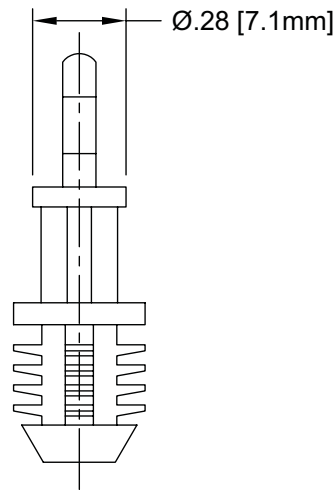
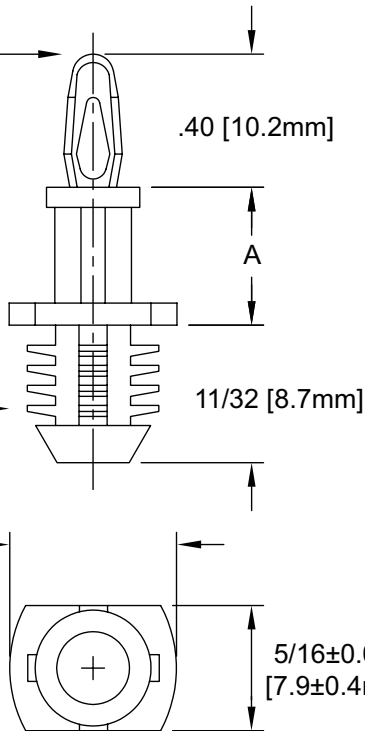
Series LPR861

SNAP FIT DIA. HOLE
 .156±0.03 [4.00±0.08mm]
 PANEL THICKNESS
 .062 [1.57mm]

DIA. HOLE
 .312±0.03 [7.92±0.08mm]
 PANEL THICKNESS
 1/4 [6.4mm] MIN.

7/16±0.015
 [11.1±0.4mm]

5/16±0.015
 [7.9±0.4mm]



Dimensions in inch (mm)

Article	A ±.015 (±0.4)
LPR 8610	3/16 (4.8)
LPR 8611	1/4 (6.4)
LPR 8612	3/8 (9.5)
LPR 8614	1/2 (12.7)
LPR 8615	5/8 (15.9)
LPR 8616	3/4 (19.1)
LPR 8617	7/8 (22.2)