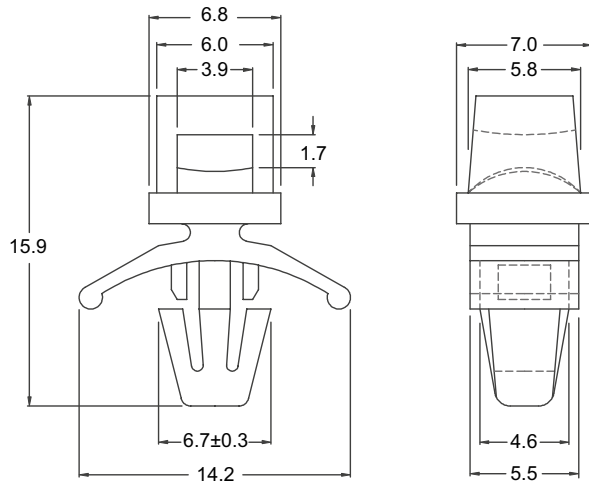


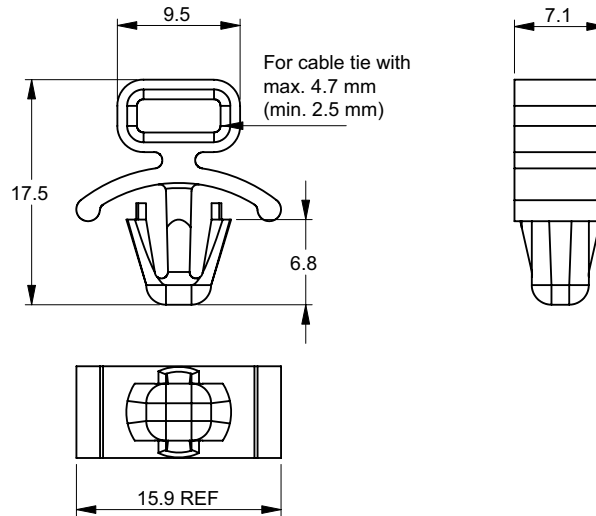
**Series LPR32**

Dimensions in mm

Type	HOLE Ø	PANEL THICKNESS
LPR3201	4.8	0.8 - 2.0



Type	HOLE Ø	PANEL THICKNESS
LPR3202	6.35 ±0.08	1.19 - 2.77



Type	HOLE Ø	PANEL THICKNESS
LPR3203	6.35 ±0.08	3.18 max

