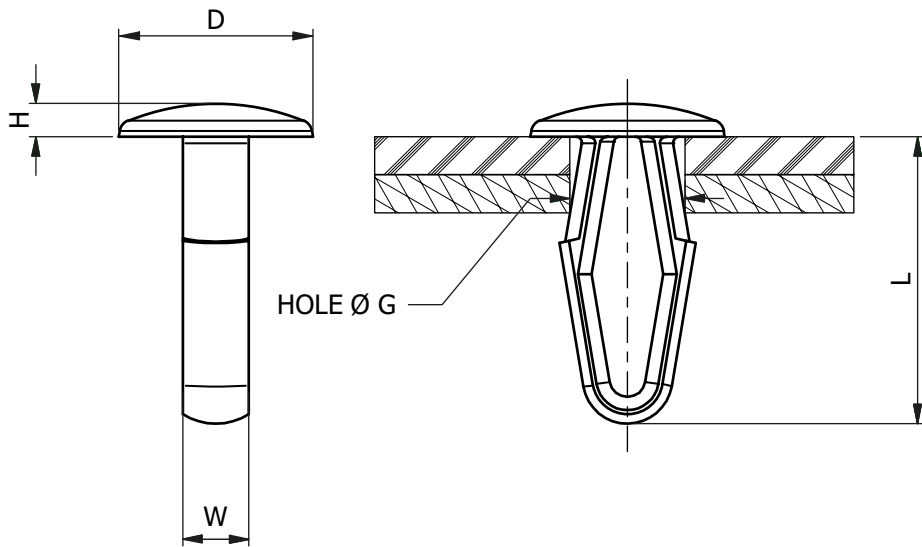


**Series LPR13**

Dimensions in mm (inch)



Article	G HOLE ±0.05 [±.002]	T TOTAL THICK- NESSRANGE	D ±0.05[±.002]	H ±0.25 [±.010]	L REF	W REF
LPR 1309	3.2 [.126]	1.0 - 4.5 [.039-.177]	8.0 [.315]	1.5 [.059]	13.0 [.512]	2.7 [.106]
LPR 1310	3.9[.153]	1.0 - 5.0 [.039-.197]	9.0 [.354]	1.6 [.063]	14.0 [.551]	2.9 [.116]
LPR 1311	4.7 [.185]	1.0 - 5.5 [.039-.216]	10.0 [.394]	1.7 [.067]	15.0 [.590]	3.4 [.134]
LPR 1312	4.7 [.185]	1.0 - 5.5 [.039-.216]	11.0 [.433]	2.9 [.114]	15.0 [.590]	3.4 [.134]
LPR 1313	6.4 [.252]	1.0 - 4.5 [.059-.256]	12.0 [.472]	2.0 [.079]	17.0 [.669]	3.9 [.153]
LPR 1314	7.8 [.307]	1.5 - 7.0 [.059-.275]	14.0 [.551]	2.2 [.087]	19.0 [.748]	4.2 [.166]
LPR 1315	5.5 [.216]	6.0 - 9.0 [.236-.354]	12.0 [.472]	2.0 [.079]	17.5 [.689]	3.8 [.150]