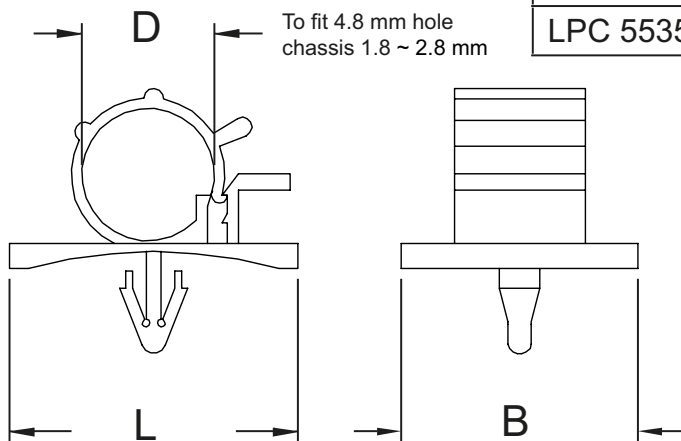


Dimensions in mm

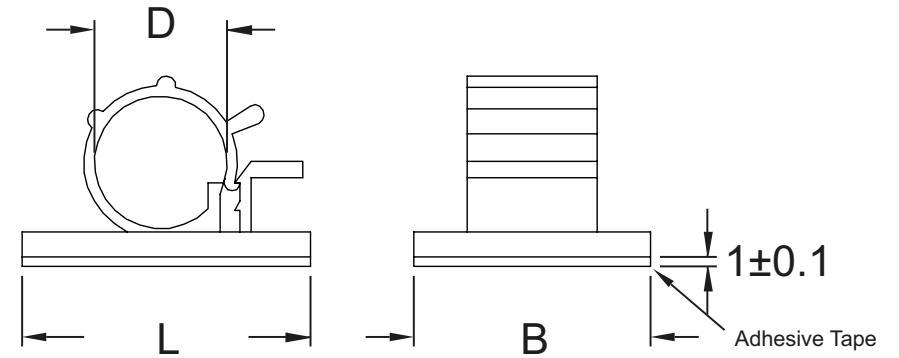
Series LPC55

Article	D	L	B	Type
LPC 5531	6-7	20.0	25	1
LPC 5532	7-8	20.0	25	1
LPC 5533	9-10	24.5	30	1
LPC 5534	12-14	24.5	30	1
LPC 5535	16-18	24.5	30	1

Type 1



Type 2



Article	D	L	B	Type
LPC 5521	6-7	20.0	25	2
LPC 5522	7-8	20.0	25	2
LPC 5523	9-10	24.5	30	2
LPC 5524	12-14	24.5	30	2
LPC 5525	16-18	24.5	30	2