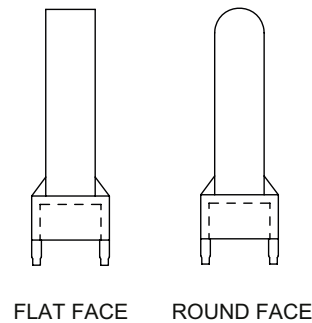
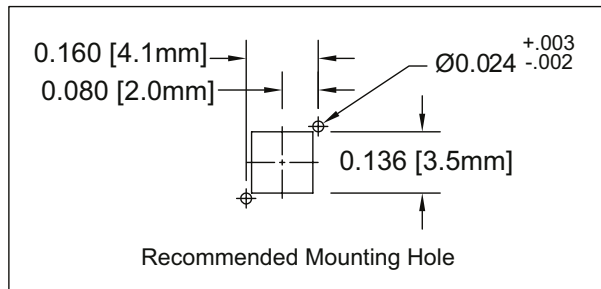
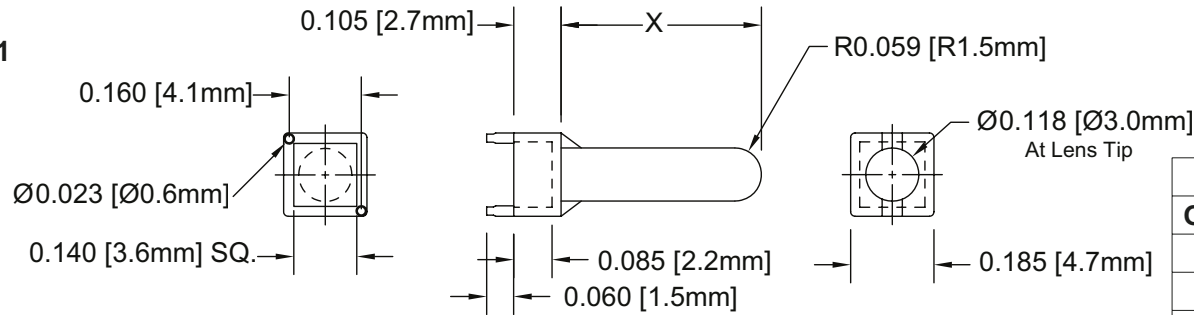


Series EVL1

Dimensions in inch (mm)



Dimensions		ARTICLE	
OVERALL HEIGHT	X= HEIGHT	FLAT FACE	ROUND FACE
0.200 (5.1mm)	0.095 (2.4mm)	EVL1 F-2,4	EVL1 R-2,4
0.250 (6.4mm)	0.145 (3.7mm)	EVL1 F-3,7	EVL1 R-3,7
0.300 (7.6mm)	0.195 (5.0mm)	EVL1 F-5,0	EVL1 R-5,0
0.350 (8.9mm)	0.245 (6.2mm)	EVL1 F-6,2	EVL1 R-6,2
0.400 (10.2mm)	0.295 (7.5mm)	EVL1 F-7,5	EVL1 R-7,5
0.450 (11.4mm)	0.345 (8.8mm)	EVL1 F-8,8	EVL1 R-8,8
0.500 (12.7mm)	0.395 (10.0mm)	EVL1 F-10,0	EVL1 R-10,0
0.550 (13.9mm)	0.445 (11.3mm)	EVL1 F-11,3	EVL1 R-11,3
0.600 (15.2mm)	0.495 (12.6mm)	EVL1 F-12,6	EVL1 R-12,6
0.640 (16.3mm)	0.535 (13.6mm)	EVL1 F-13,6	EVL1 R-13,6