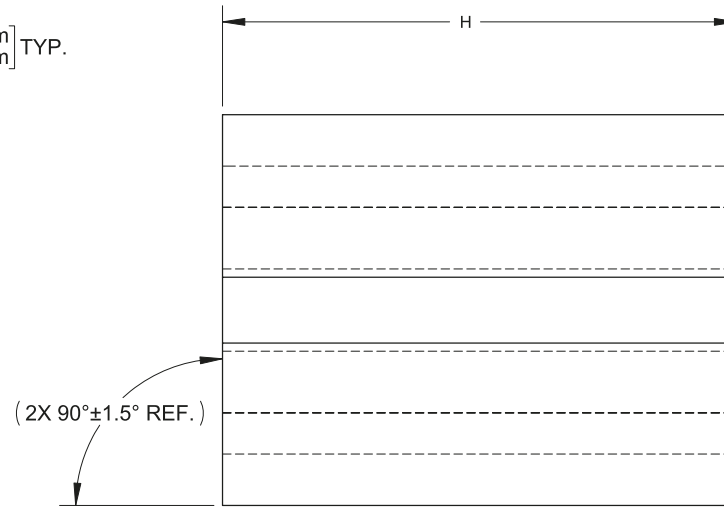
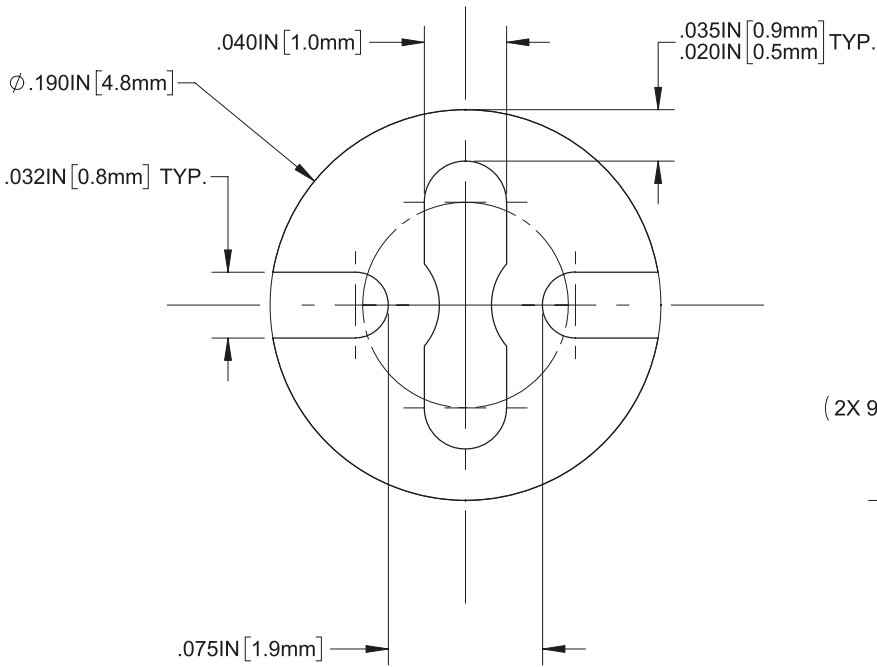


Series ELBLU30

Dimensions in inch (mm)



TOLERANCE "H" DIMENSION:
 0.030 - 0.500 (1.0 - 12.7 mm)±0.005 (0.1mm)
 0.505 - 0.750 (12.8 - 19.1 mm)±0.008 (0.2mm)
 0.755 - 1.250 (19.2 - 31.8 mm)±0.015 (0.4mm)

Article	H
ELBLU30-010	1mm
ELBLU30-020	2mm
...	...
...	...
ELBLU30-300	30mm

H = each full mm from 1 to 30 mm