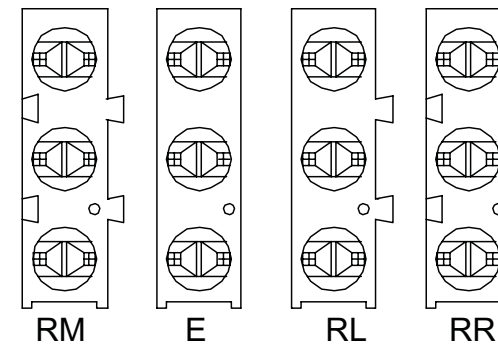


Series ELBLR33

Dimensions in inch (mm)



Article	TYPE	DIA
ELB LR-33RM	RM	.128 [3.3mm]
ELB LR-33RR	RR	.128 [3.3mm]
ELB LR-33E	E	.128 [3.3mm]
ELB LR-33RL	RL	.128 [3.3mm]