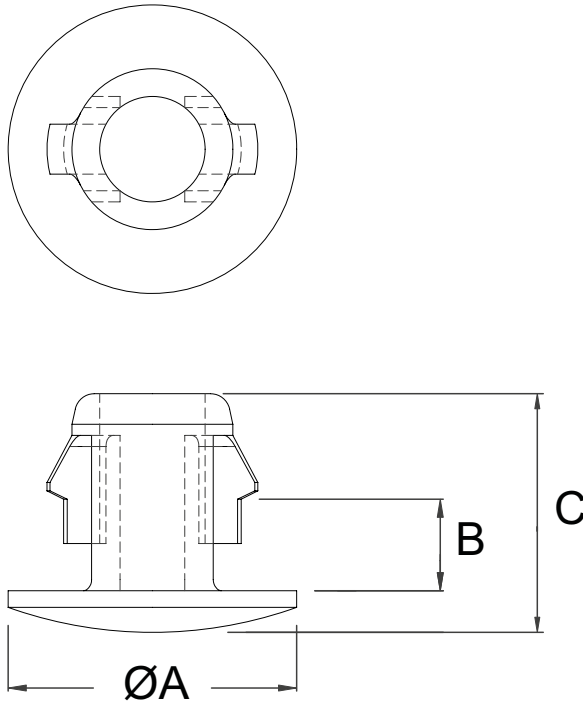


Series EHI600

Dimensions in mm



	Max. Thickness	Borehole	A	B	C
EHI 600	1.4	9.6 - 10.0	13.0	1.8	6.0
EHI 601	1.6	7.6 - 8.0	9.5	1.8	6.0
EHI 602	1.6	6.3 - 6.5	7.6	1.8	5.6
EHI 603	1.6	4.7 - 4.9	6.0	1.8	5.2
EHI 604	2.1	12.7 - 13.0	17.0	2.3	8.0