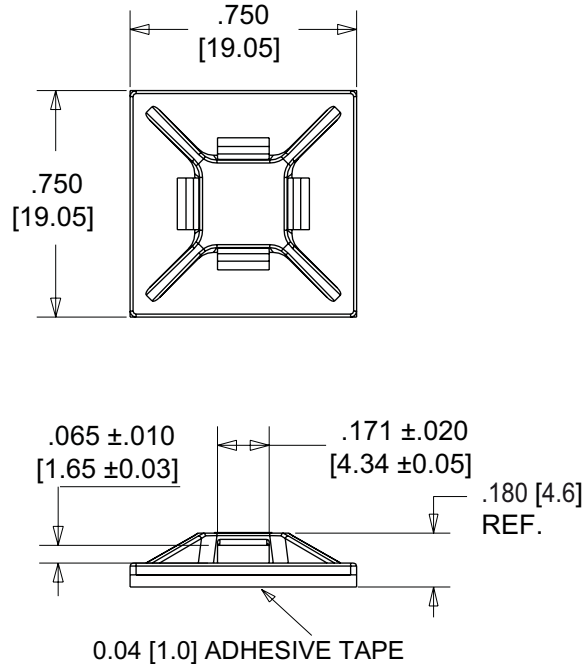
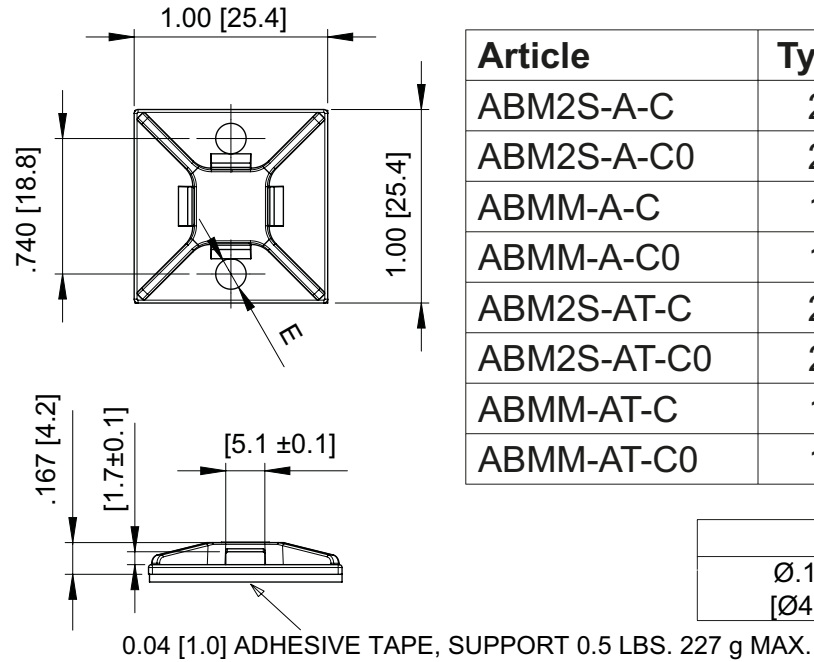


Series ABM

Type 1 Dimensions in inch (mm)



Type 2 Dimensions in mm



Article	Type	Material Adhesive	Colour
ABM2S-A-C	2	Rubber	Black
ABM2S-A-C0	2	Rubber	White
ABMM-A-C	1	Rubber	Black
ABMM-A-C0	1	Rubber	White
ABM2S-AT-C	2	Acrylat PE	Black
ABM2S-AT-C0	2	Acrylat PE	White
ABMM-AT-C	1	Acrylat PE	Black
ABMM-AT-C0	1	Acrylat PE	White

E
Ø.158 ± 0.007 REF.
[Ø4.0 ± 0.18]