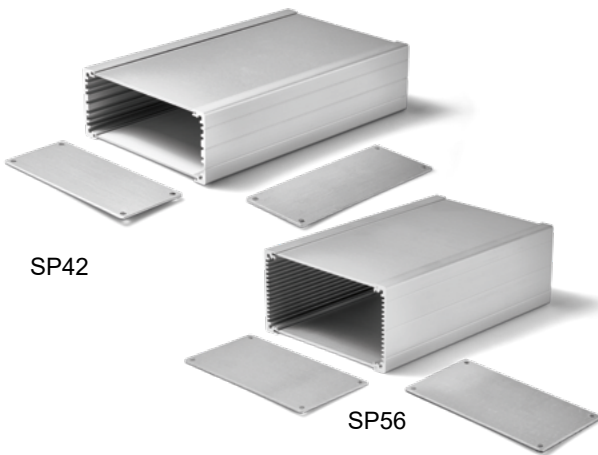


# Data Sheet for Aluminium Housing

Electronics aluminium housing

Series EUKAP SP



**As kit enclosures in Eurocard format or as side profiles sold by the metre**

We offer two standard kit enclosures, one with a height of 42 mm (SP42) and one with a height of 56 mm (SP56), both with a profile length of 165 mm and a width of 103 mm. They include baseplates, end plates, plastic feet and screws. The aluminium enclosures are available in natural anodized aluminium or black anodized aluminium.

For customized enclosure construction, we offer the side profiles separately in standard lengths of up to 1000 mm. Customized lengths of up to 1500 mm are possible.

Data Standard Housing	SP42	SP56
External dimensions length	165 mm (+3 mm end plates)	
External dimensions width	103 mm	
External dimensions height	42 mm	56 mm
Groove x 2 and thickness	2 x 2.5 mm 5 x 1.6 mm	15 x 1.8 mm

Data cover plates	
Length	165 mm
Width	89 mm
Material	Aluminium
Colour	Aluminium nature anodized (optional black anodized)
Material thickness	1.5 mm

Data End Plates	
Material	Aluminium
Colour	Aluminium nature anodized (optional black anodized)
Material thickness	1.5 mm
Feed for screws	8 pieces Ø3 x 10 mm included in delivery

Data Side Profile	SP42	SP56
External dimensions height	10 mm	
External dimensions width	42 mm	56 mm
Internal dimension width	34 mm	48 mm
Thickness of cover	max. 1.6 mm	
Material	ALMgSi 0.5 F22	
Colour	Aluminium nature anodized (optional black anodized)	
Mass ca.	0.41 kg/m	0.56 kg/m

# Data Sheet for Aluminium Housing

Electronics aluminium housing

Series EUKAP SP

**Order Code Standard-Profile-Housing-Kit:** Profile + cover plates + end plates + screws

Description	Selection: <b>standard=black/bold</b> , possible <i>options=grey/italic</i>				
<b>Series:</b>	<b>EUKAP SP GEHÄUSE</b>				
<b>Housing height:</b> 42 mm 56 mm		<b>42</b> <b>56</b>			
<b>Housing length:</b> 165 mm <i>Option custom length &lt;1500 mm</i>			<b>165</b> XXXX		
<b>Housing colour:</b> <b>Aluminium nature anodized</b> <i>Option Aluminium black anodized</i>				<b>A</b> N	

**Order Code Side Profile**

Description	Selection: <b>standard=black/bold</b> , possible <i>options=grey/italic</i>				
<b>Series:</b>	<b>EUKAP SP PROFIL</b>				
<b>Profile height:</b> 42 mm 56 mm		<b>42</b> <b>56</b>			
<b>Profile length:</b> 1000 <i>Option custom length &lt;1500 mm</i>			<b>1000</b> XXXX		
<b>Profile colour:</b> <b>Aluminium nature anodized</b> <i>Option Aluminium black anodized</i>				<b>A</b> N	

**For higher quantities or on-going demand, additional options are available as described below on request**

For Example: Processing of the housings such as drilling, punching, milling etc. as well as printing. Customized processing of end plates and much more.

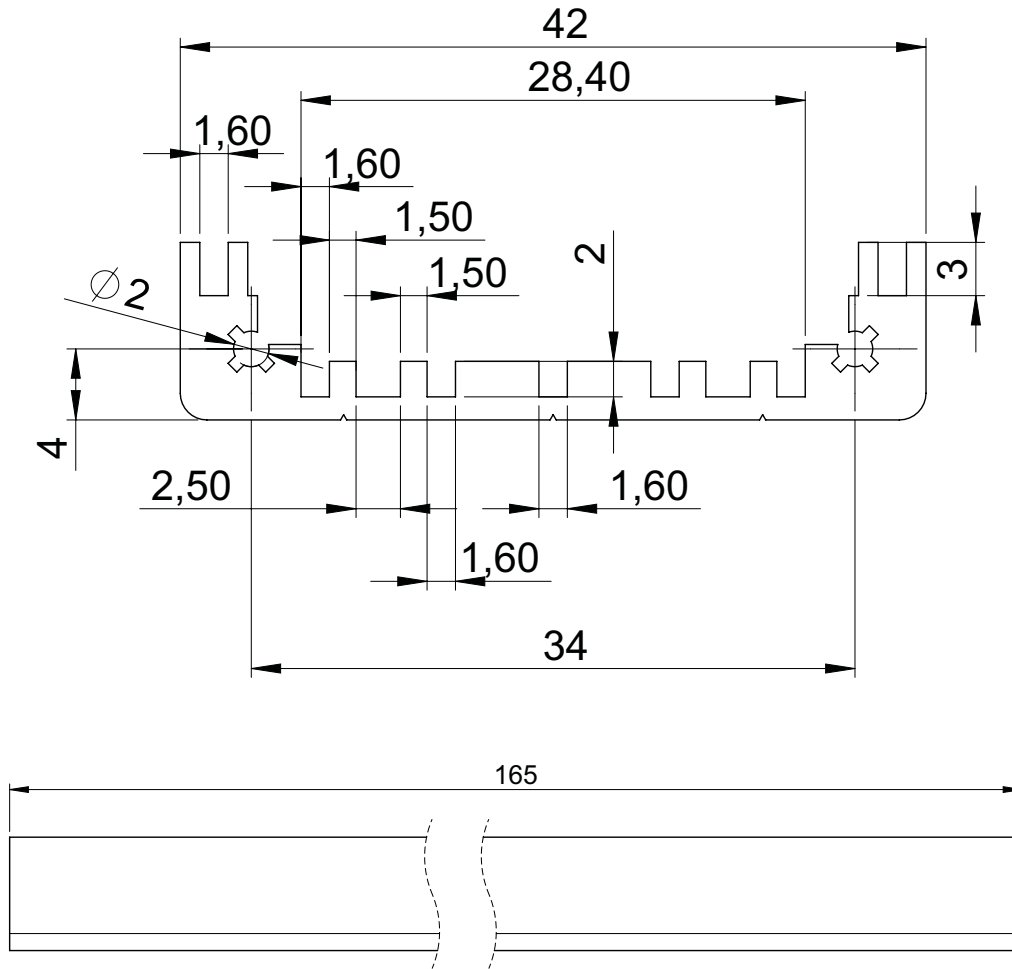
# Data Sheet for Aluminium Housing

Electronics aluminium housing

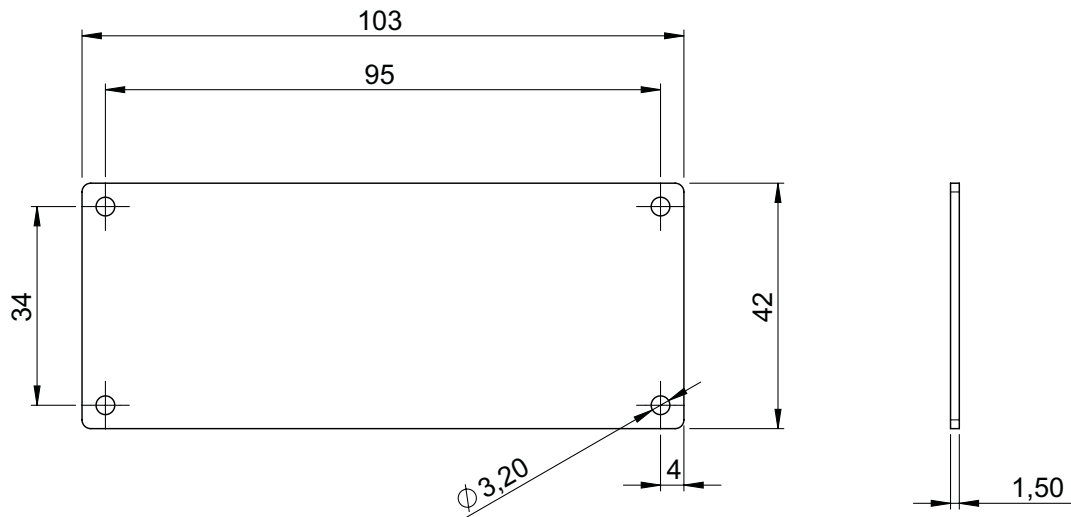
Series EUKAP SP

## Drawing

### Profile SP42



### End plates SP42



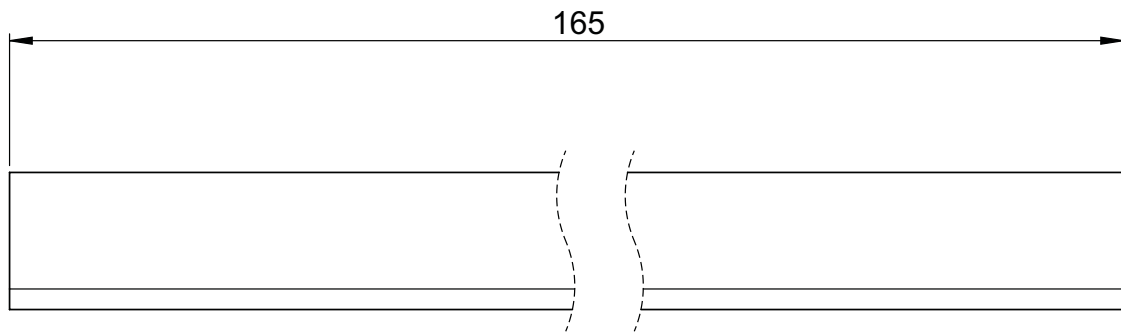
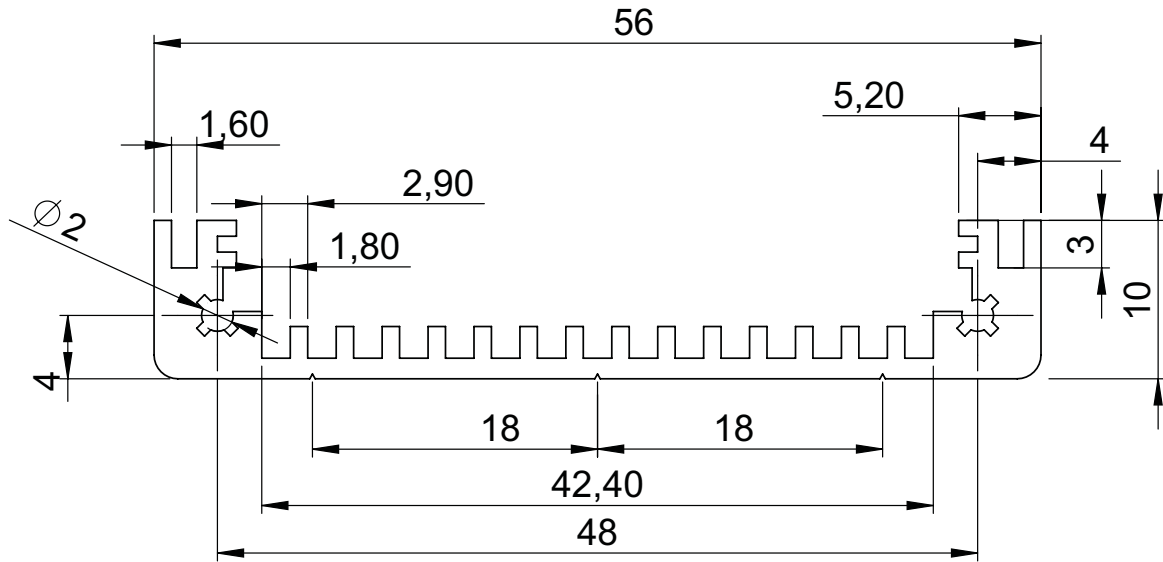
# Data Sheet for Aluminium Housing

Electronics aluminium housing

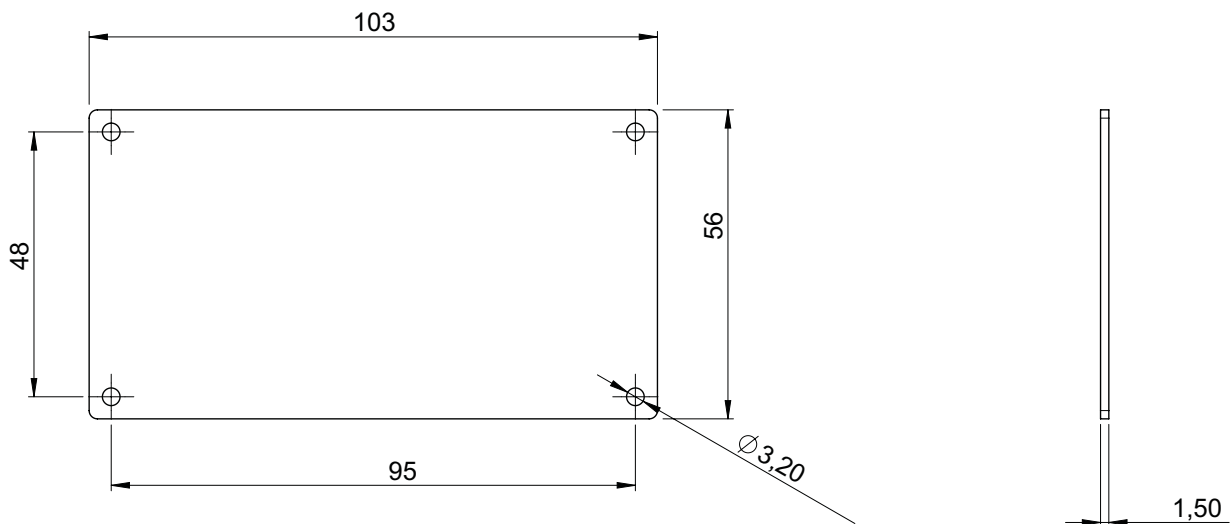
Series EUKAP SP

## Drawing

### Profile SP56



### End plates SP56



# Data Sheet for Aluminium Housing

Electronics aluminium housing

Series EUKAP SP

## Drawing

### Cover plates

