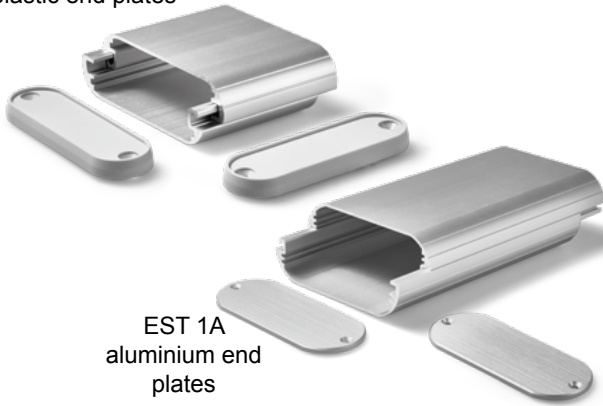


Data Sheet for Aluminium Housing

Electronics aluminium housing

Series EST

EST 1
plastic end plates



The EST range of small aluminium enclosures is available in 8 different heights/widths from 13/41 mm and in various lengths. There are two grooves on each side for the insertion of printed circuit boards (max. 1.9 mm) (except 4095 has 4 grooves). These attractive enclosures consist of two rounded half-shells which are joined together by screwing the two end plates together. The natural anodized aluminium profiles (optionally black anodized) are supplied as a kit consisting of 2 end plates in ABS (EST1) or natural anodized aluminium (EST1A) and 4 self-tapping screws.

Data Profile

Material	Aluminium A6063 S-T5
Colour	Aluminium nature anodized (optional black anodized)
PCB thickness	max. 1,9 mm

Profile kind	External dim. H x W <small>-0,5 mm</small>	Internal dim. H	PCB width	Housing length EST 1	Housing length EST 1A	PCB groove x 2
1541	15 x 41 mm	12,2 mm	32,1 mm	50/80/110 mm	44/74/104 mm	2
1857	18 x 57 mm	15,1 mm	48 mm	50/75/100 mm	46/71/96 mm	2
2070	20 x 70 mm	16,5 mm	60 mm	60/90/120 mm	54/84/114 mm	2
2482	24 x 82 mm	20,5 mm	73 mm	70/100/130 mm	64/94/124 mm	2
30110	30 x 110 mm	26,5 mm	101 mm	80/120/170 mm	72/112/162 mm	2
3570	35 x 70 mm	31,4 mm	60 mm	60/90/120 mm	52/82/112 mm	2
35130	35 x 130 mm	31 mm	121 mm	100/150/210 mm	90/140/200 mm	2
4095	40 x 95 mm	36,4 mm	84 mm	80/120/150 mm	70/110/140 mm	4

Data end plates

Material	ABS UL94 HB (Type EST 1), Aluminium A1050P (Type EST 1A)
Colour	Plastic grey EST1, aluminium nature anodized EST1A (optional more)
Material thickness	6..8 mm for plastic, 3 mm for aluminium
Feed for screws	4 x screws silver / black included in delivery (M2,6 or M3 x 10 mm - depends on housing kind)

Data Sheet for Aluminium Housing

Electronics aluminium housing

Series EST

Order Code						
Description	Selection: standard=black/bold , possible <i>options=grey/italic</i>					
Series:	EST					
Aluminium profile: With plastic end plates (thickness 6..8 mm) With aluminium end plates (thickness 3 mm)	1 1A					
Profile external dimensions height x width:			EST 1	EST 1A		
15 x 41 mm		1541	50/80/110	44/74/104		
18 x 57 mm		1857	50/75/100	46/71/96		
20 x 70 mm		2070	60/90/120	54/84/114		
24 x 82 mm		2482	70/100/130	64/94/124		
30 x 110 mm		30110	80/120/170	72/112/162		
35 x 70 mm		3570	60/90/120	52/82/112		
35 x 130 mm		35130	100/150/210	90/140/200		
40 x 95 mm		4095	80/120/150	70/110/140		
Housing length (incl. end plates thickness): Standard length in mm <i>Option custom length* in mm (max. 1000)</i>			EST 1 see above <i>xxxx</i>	EST 1A see above <i>xxxx</i>		
Profile colour: Aluminium nature anodised <i>Option aluminium black anodised</i>					A <i>N</i>	
End plates colours EST1 (2 pieces plastic): ABS grey material thickness depends on profile (6..8 mm) <i>Option ABS black material thickness depends on profile (6..8 mm)</i>						G <i>N</i>
End plates colours EST1A (2 pieces aluminium): Aluminium nature anodized thickness 3 mm <i>Option aluminium black anodized thickness 3 mm</i>						A <i>N</i>
*custom length: MOQ 25 pieces						

For higher quantities or on-going demand, additional options are available as described below on request

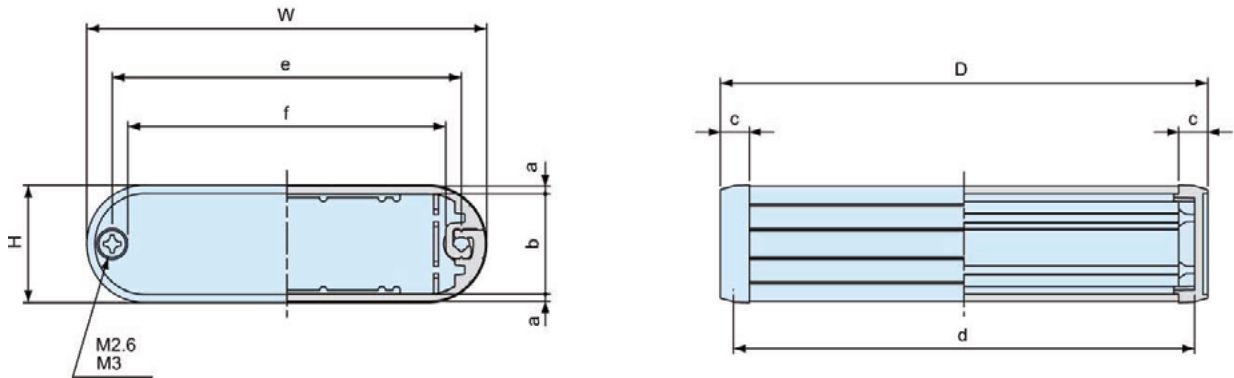
For Example: Processing of the housings such as drilling, punching, milling etc. as well as printing. Customized processing of end plates and more.

Data Sheet for Aluminium Housing

Electronics aluminium housing

Series EST

Drawing



		EST1	EST1A		EST1	EST1A	EST1	EST1A	EST1	EST1A			
	H	W	D	D	a	b	c	c	d	d	e	f	M3/M2,6
EST	15	41	50	44	1,2	12,2	6	3	44,6	38	31,8	26,6	M2,6
EST	15	41	80	74	1,2	12,2	6	3	74,6	68	31,8	26,6	M2,6
EST	15	41	110	104	1,2	12,2	6	3	104,6	98	31,8	26,6	M2,6
EST	18	57	50	46	1,2	15,1	5	3	45	40	47,7	42,5	M2,6
EST	18	57	75	71	1,2	15,1	5	3	70	65	47,7	42,5	M2,6
EST	18	57	100	96	1,2	15,1	5	3	95	90	47,7	42,5	M2,6
EST	20	70	60	54	1,5	16,5	6	3	54,6	48	59,6	53,2	M3
EST	20	70	90	84	1,5	16,5	6	3	84,6	78	59,6	53,2	M3
EST	20	70	120	114	1,5	16,5	6	3	114,6	108	59,6	53,2	M3
EST	24	82	70	64	1,5	20,5	6	3	64,6	58	71,6	65,2	M3
EST	24	82	100	94	1,5	20,5	6	3	94,6	88	71,6	65,2	M3
EST	24	82	130	124	1,5	20,5	6	3	124,6	118	71,6	65,2	M3
EST	30	110	80	72	1,5	26,5	7	3	74,6	66	99,6	93,2	M3
EST	30	110	120	112	1,5	26,5	7	3	114,6	106	99,6	93,2	M3
EST	30	110	170	162	1,5	26,5	7	3	164,6	156	99,6	93,2	M3
EST	35	70	60	52	1,55	31,4	7	3	53	46	59,6	53,2	M3
EST	35	70	90	82	1,55	31,4	7	3	83	76	59,6	53,2	M3
EST	35	70	120	112	1,55	31,4	7	3	113	106	59,6	53,2	M3
EST	35	130	100	90	1,75	31	8	3	94,4	84	119,6	113,2	M3
EST	35	130	150	140	1,75	31	8	3	144,4	134	119,6	113,2	M3
EST	35	130	210	200	1,75	31	8	3	204,4	194	119,6	113,2	M3
EST	40	95	80	70	1,55	36,4	8	3	73	64	84,6	78,2	M3
EST	40	95	120	110	1,55	36,4	8	3	113	104	84,6	78,2	M3
EST	40	95	150	140	1,55	36,4	8	3	143	134	84,6	78,2	M3

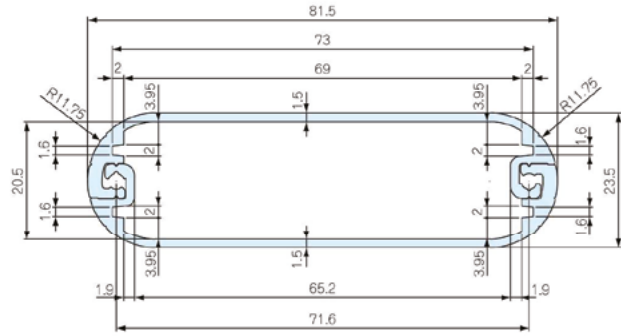
Data Sheet for Aluminium Housing

Electronics aluminium housing

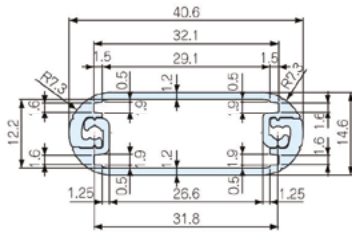
Series EST

Drawing housing EST1 and EST1A

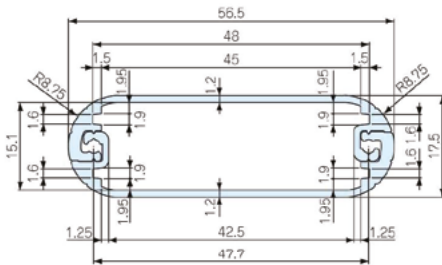
EST1 2482 / EST1A 2482



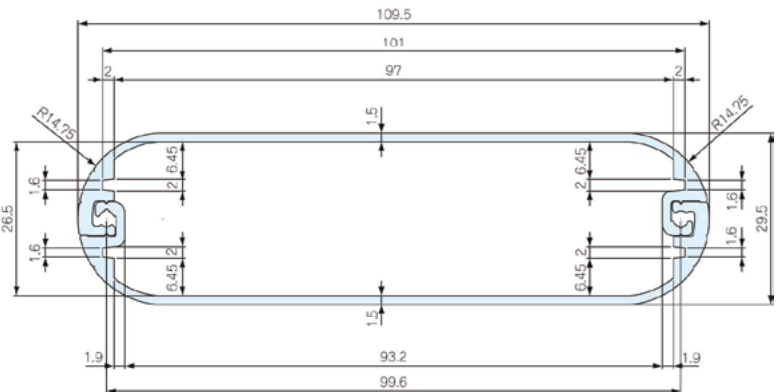
EST1 1541 / EST1A 1541



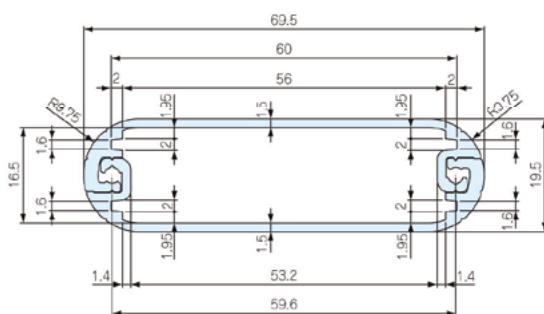
EST1 1857 / EST1A 1857



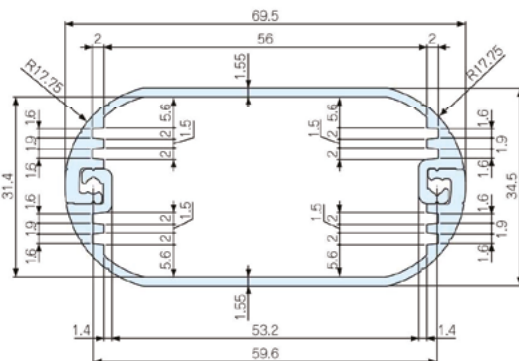
EST1 30110 / EST1A 30110



EST1 2070 / EST1A 2070

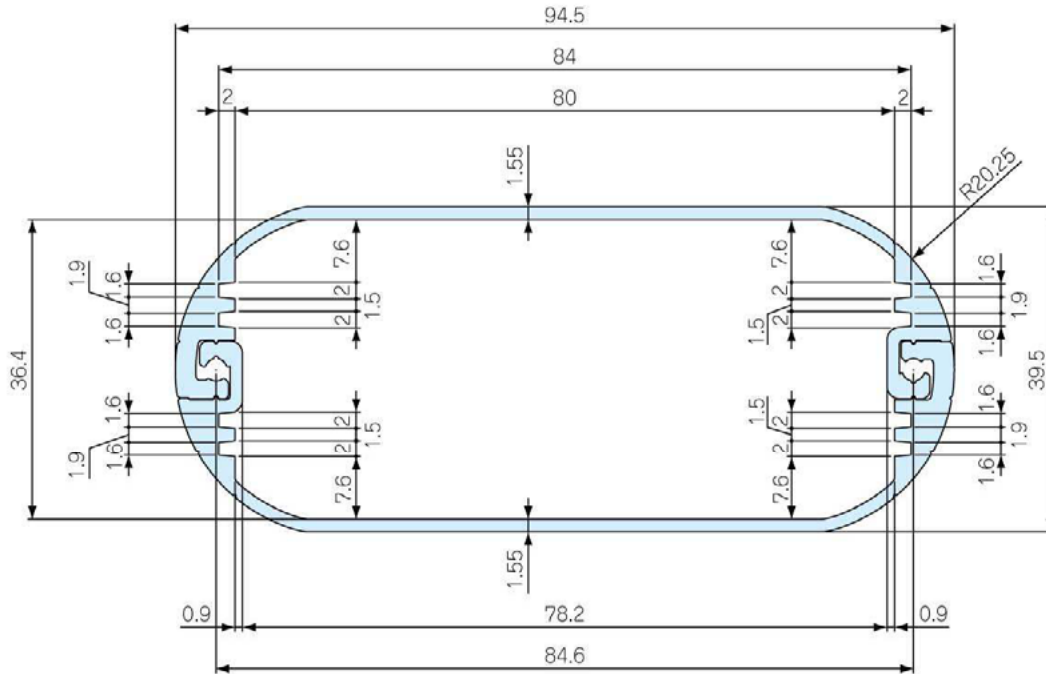


EST1 3570 / EST1A 3570

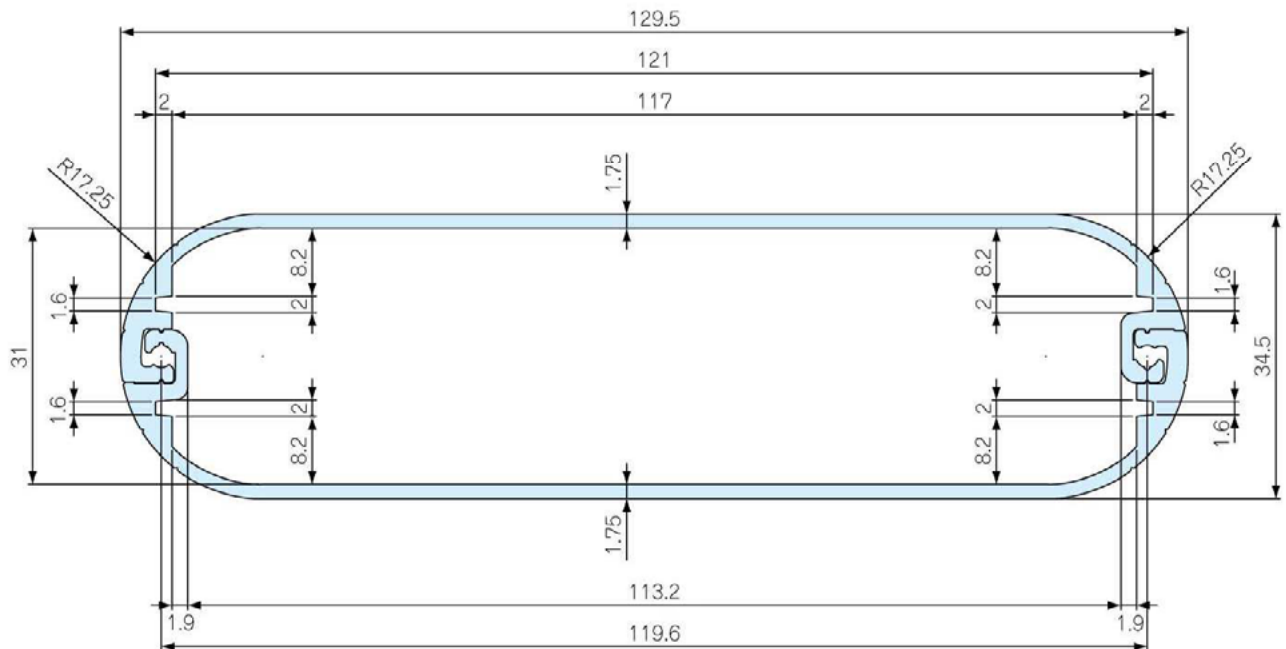


Drawing housing EST1 and EST1A

EST1 4095 / EST1A 4095



EST1 35130 / EST1A 35130

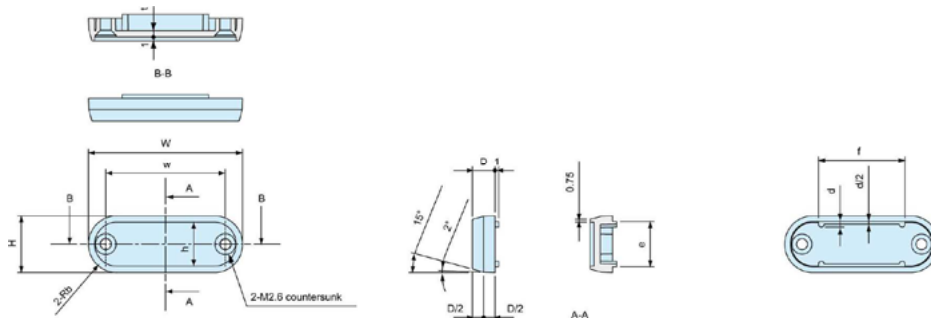


Data Sheet for Aluminium Housing

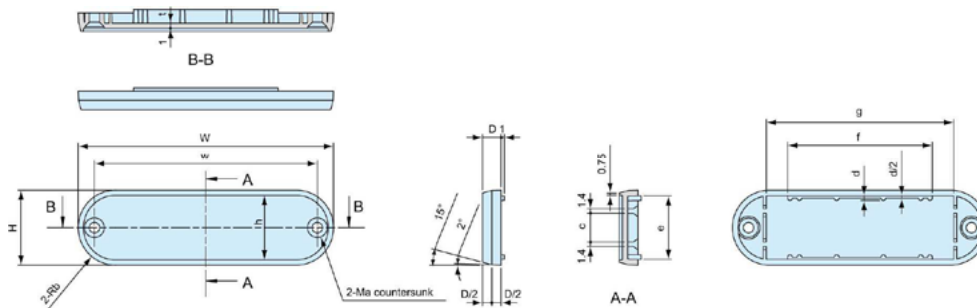
Electronics aluminium housing

Series EST

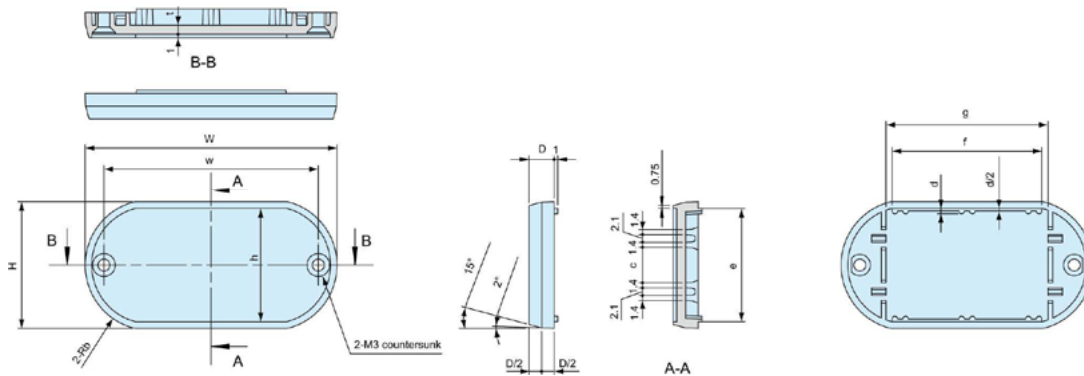
Drawing frames EST1



	H	W	D	w	b	d	e	f	h	t
EST1	15	41	6	31,8	7,5	1,5	12	23	11,6	1,7



	H	W	D	w	a	b	c	d	e	f	g	h	t
EST1	18	57	5	47,7	2,6	9	7,9	1,3	15	38,3	41,2	14,9	1,5
EST1	20	70	6	59,6	3	10	9,2	1,5	16,3	49,5	52,6	16,6	1,7
EST1	24	82	6	71,6	3	12	9,2	1,5	20,4	46,5	60,2	20,6	1,7
EST1	30	110	7	99,6	3	15	10,2	1,5	26,4	61,5	87,3	26,3	1,7
EST1	35	130	8	119,6	3	17,5	11,2	1,5	30,9	76,5	104,3	31	1,8



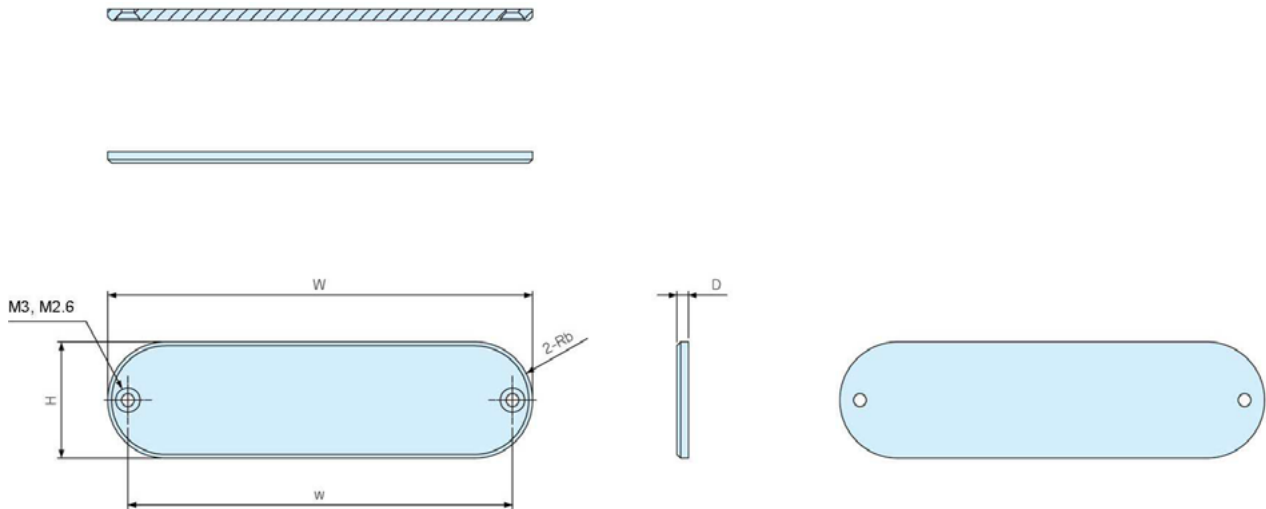
	H	W	D	w	b	c	d	e	f	g	h	t
EST1	35	70	7	59,6	18	9,8	1,5	31,3	41,6	45	31,3	2,5
EST1	40	94	8	84,6	20,5	10,8	1,5	36,3	61,6	65	36	2,5

Data Sheet for Aluminium Housing

Electronics aluminium housing

Series EST

Drawing end plates EST1A



	H	W	D	w	b	M3/M2,6
EST1A	15	41	3	31,8	7,5	M2,6
EST1A	18	57	3	47,7	9	M2,6
EST1A	20	70	3	59,6	10	M3
EST1A	24	82	3	71,6	12	M3
EST1A	30	110	3	99,6	15	M3
EST1A	35	70	3	59,6	18	M3
EST1A	35	130	3	119,6	17,5	M3
EST1A	40	95	3	84,6	20,5	M3