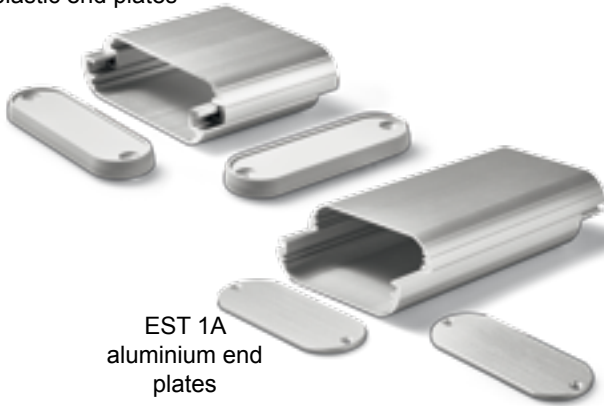


Data Sheet for Aluminium Housing

Electronics aluminium housing

Series EST

EST 1
plastic end plates



The EST range of small aluminium enclosures is available in 10 different heights/widths from 13/41 mm and in various lengths. There are two grooves on each side for the insertion of printed circuit boards (max. 1.9 mm) (except 1348 which has no groove, 4095 has 4 grooves). These attractive enclosures consist of two rounded half-shells which are joined together by screwing the two end plates together. The natural anodized aluminium profiles (optionally black anodized) are supplied as a kit consisting of 2 end plates in ABS (EST1) or natural anodized aluminium (EST1A) and 4 self-tapping screws.

Data Profile

| | |
|---------------|---|
| Material | Aluminium A6063 S-T5 |
| Colour | Aluminium nature anodised (optional black anodised) |
| PCB thickness | max. 1,9 mm |

| Profile kind | External dim. H x W <small>-0,5 mm</small> | Internal dim. H | PCB width | Housing length EST 1 | Housing length EST 1A | PCB groove x 2 |
|--------------|--|-----------------|-----------|-----------------------|-----------------------|----------------|
| 1348 | 13 x 48 mm | 10,2 mm | - | 55/85/115 mm | 49/79/109 mm | 0 |
| 1541 | 15 x 41 mm | 12,2 mm | 32,1 mm | 50/80/110 mm | 44/74/104 mm | 2 |
| 16100 | 16 x 100 mm | 13,2 mm | 91,1 mm | 80/110/150 mm | 74/104/144 mm | 2 |
| 1857 | 18 x 57 mm | 15,1 mm | 48 mm | 50/75/100 mm | 46/71/96 mm | 2 |
| 2070 | 20 x 70 mm | 16,5 mm | 60 mm | 60/90/120 mm | 54/84/114 mm | 2 |
| 2482 | 24 x 82 mm | 20,5 mm | 73 mm | 70/100/130 mm | 64/94/124 mm | 2 |
| 30110 | 30 x 110 mm | 26,5 mm | 101 mm | 80/120/170 mm | 72/112/162 mm | 2 |
| 3570 | 35 x 70 mm | 31,4 mm | 60 mm | 60/90/120 mm | 52/82/112 mm | 2 |
| 35130 | 35 x 130 mm | 31 mm | 121 mm | 100/150/210 mm | 90/140/200 mm | 2 |
| 4095 | 40 x 95 mm | 36,4 mm | 84 mm | 80/120/150 mm | 70/110/140 mm | 4 |

Data end plates

| | |
|--------------------|---|
| Material | ABS UL94 HB (Type EST 1), Aluminium A1050P (Type EST 1A) |
| Colour | Plastic grey EST1, aluminium nature anodised EST1A (optional more) |
| Material thickness | 6.8 mm for plastic, 3 mm for aluminium |
| Feed for screws | 4 x screws silver / black included in delivery (M2,6 or M3 x 10 mm - depends on housing kind) |

Data Sheet for Aluminium Housing

Electronics aluminium housing

Series EST

| Order Code | | | | | | |
|---|---|-------|-----------------------------------|------------------------------------|----------------------|----------------------|
| Description | Selection: standard=black/bold , possible <i>options=grey/italic</i> | | | | | |
| Series: | EST | | | | | |
| Aluminium profile: With plastic end plates (thickness 6..8 mm) With aluminium end plates (thickness 3 mm) | 1 1A | | | | | |
| Profile external dimensions height x width: | | | EST 1 | EST 1A | | |
| 13 x 48 mm | | 1348 | 55/85/115 | 79/109 | | |
| 15 x 41 mm | | 1541 | 50/80/110 | 44/74/104 | | |
| 16 x 100 mm | | 16100 | 80/110/150 | 74/104/144 | | |
| 18 x 57 mm | | 1857 | 50/75/100 | 46/71/96 | | |
| 20 x 70 mm | | 2070 | 60/90/120 | 54/84/114 | | |
| 24 x 82 mm | | 2482 | 70/100/130 | 64/94/124 | | |
| 30 x 110 mm | | 30110 | 80/120/170 | 72/112/162 | | |
| 35 x 70 mm | | 3570 | 60/90/120 | 52/82/112 | | |
| 35 x 130 mm | | 35130 | 100/150/210 | 90/140/200 | | |
| 40 x 95 mm | | 4095 | 80/120/150 | 70/110/140 | | |
| Housing length (incl. end plates thickness): Standard length in mm <i>Option custom length* in mm (max. 1000)</i> | | | EST 1 see above XXXX | EST 1A see above XXXX | | |
| Profile colour: Aluminium nature anodised <i>Option aluminium black anodised</i> | | | | | A N | |
| End plates colours EST1 (2 pieces plastic): ABS grey material thickness depends on profile (6..8 mm) <i>Option ABS black material thickness depends on profile (6..8 mm)</i> | | | | | | G N |
| End plates colours EST1A (2 pieces aluminium): Aluminium nature anodised thickness 3 mm <i>Option aluminium black anodised thickness 3 mm</i> | | | | | | A N |
| *custom length: MOQ 25 pieces | | | | | | |

For higher quantities or on-going demand, additional options are available as described below on request

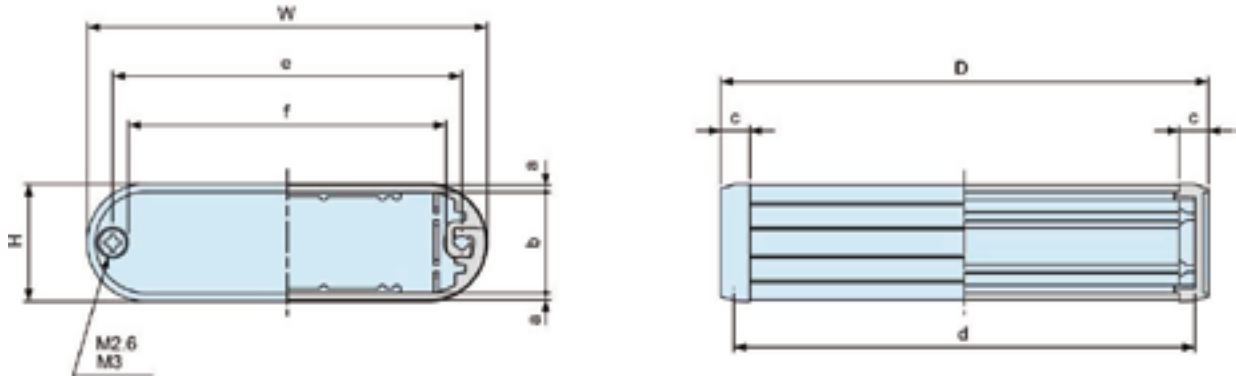
For Example: Processing of the housings such as drilling, punching, milling etc. as well as printing. Customized processing of end plates and more.

Data Sheet for Aluminium Housing

Electronics aluminium housing

Series EST

Drawing



| | | EST1 | EST1A | | EST1 | EST1A | EST1 | EST1A | EST1 | EST1A | | | M3/M2,6 |
|-----|----|------|-------|-----|------|-------|------|-------|-------|-------|-------|-------|---------|
| | H | W | D | D | a | b | c | c | d | d | e | f | |
| EST | 13 | 48 | 55 | 49 | 1,2 | 10,2 | 6 | 3 | 50 | 43 | 38,8 | 33,6 | M2,6 |
| EST | 13 | 48 | 85 | 79 | 1,2 | 10,2 | 6 | 3 | 80 | 73 | 38,8 | 33,6 | M2,6 |
| EST | 13 | 48 | 115 | 109 | 1,2 | 10,2 | 6 | 3 | 110 | 103 | 38,8 | 33,6 | M2,6 |
| EST | 15 | 41 | 50 | 44 | 1,2 | 12,2 | 6 | 3 | 44,6 | 38 | 31,8 | 26,6 | M2,6 |
| EST | 15 | 41 | 80 | 74 | 1,2 | 12,2 | 6 | 3 | 74,6 | 68 | 31,8 | 26,6 | M2,6 |
| EST | 15 | 41 | 110 | 104 | 1,2 | 12,2 | 6 | 3 | 104,6 | 98 | 31,8 | 26,6 | M2,6 |
| EST | 16 | 100 | 80 | 74 | 1,2 | 13,2 | 6 | 3 | 74,6 | 68 | 90,8 | 85,6 | M2,6 |
| EST | 16 | 100 | 110 | 104 | 1,2 | 13,2 | 6 | 3 | 104,6 | 98 | 90,8 | 85,6 | M2,6 |
| EST | 16 | 100 | 150 | 144 | 1,2 | 13,2 | 6 | 3 | 144,6 | 138 | 90,8 | 85,6 | M2,6 |
| EST | 18 | 57 | 50 | 46 | 1,2 | 15,1 | 5 | 3 | 45 | 40 | 47,7 | 42,5 | M2,6 |
| EST | 18 | 57 | 75 | 71 | 1,2 | 15,1 | 5 | 3 | 70 | 65 | 47,7 | 42,5 | M2,6 |
| EST | 18 | 57 | 100 | 96 | 1,2 | 15,1 | 5 | 3 | 95 | 90 | 47,7 | 42,5 | M2,6 |
| EST | 20 | 70 | 60 | 54 | 1,5 | 16,5 | 6 | 3 | 54,6 | 48 | 59,6 | 53,2 | M3 |
| EST | 20 | 70 | 90 | 84 | 1,5 | 16,5 | 6 | 3 | 84,6 | 78 | 59,6 | 53,2 | M3 |
| EST | 20 | 70 | 120 | 114 | 1,5 | 16,5 | 6 | 3 | 114,6 | 108 | 59,6 | 53,2 | M3 |
| EST | 24 | 82 | 70 | 64 | 1,5 | 20,5 | 6 | 3 | 64,6 | 58 | 71,6 | 65,2 | M3 |
| EST | 24 | 82 | 100 | 94 | 1,5 | 20,5 | 6 | 3 | 94,6 | 88 | 71,6 | 65,2 | M3 |
| EST | 24 | 82 | 130 | 124 | 1,5 | 20,5 | 6 | 3 | 124,6 | 118 | 71,6 | 65,2 | M3 |
| EST | 30 | 110 | 80 | 72 | 1,5 | 26,5 | 7 | 3 | 74,6 | 66 | 99,6 | 93,2 | M3 |
| EST | 30 | 110 | 120 | 112 | 1,5 | 26,5 | 7 | 3 | 114,6 | 106 | 99,6 | 93,2 | M3 |
| EST | 30 | 110 | 170 | 162 | 1,5 | 26,5 | 7 | 3 | 164,6 | 156 | 99,6 | 93,2 | M3 |
| EST | 35 | 70 | 60 | 52 | 1,55 | 31,4 | 7 | 3 | 53 | 46 | 59,6 | 53,2 | M3 |
| EST | 35 | 70 | 90 | 82 | 1,55 | 31,4 | 7 | 3 | 83 | 76 | 59,6 | 53,2 | M3 |
| EST | 35 | 70 | 120 | 112 | 1,55 | 31,4 | 7 | 3 | 113 | 106 | 59,6 | 53,2 | M3 |
| EST | 35 | 130 | 100 | 90 | 1,75 | 31 | 8 | 3 | 94,4 | 84 | 119,6 | 113,2 | M3 |
| EST | 35 | 130 | 150 | 140 | 1,75 | 31 | 8 | 3 | 144,4 | 134 | 119,6 | 113,2 | M3 |
| EST | 35 | 130 | 210 | 200 | 1,75 | 31 | 8 | 3 | 204,4 | 194 | 119,6 | 113,2 | M3 |
| EST | 40 | 95 | 80 | 70 | 1,55 | 36,4 | 8 | 3 | 73 | 64 | 84,6 | 78,2 | M3 |
| EST | 40 | 95 | 120 | 110 | 1,55 | 36,4 | 8 | 3 | 113 | 104 | 84,6 | 78,2 | M3 |
| EST | 40 | 95 | 150 | 140 | 1,55 | 36,4 | 8 | 3 | 143 | 134 | 84,6 | 78,2 | M3 |

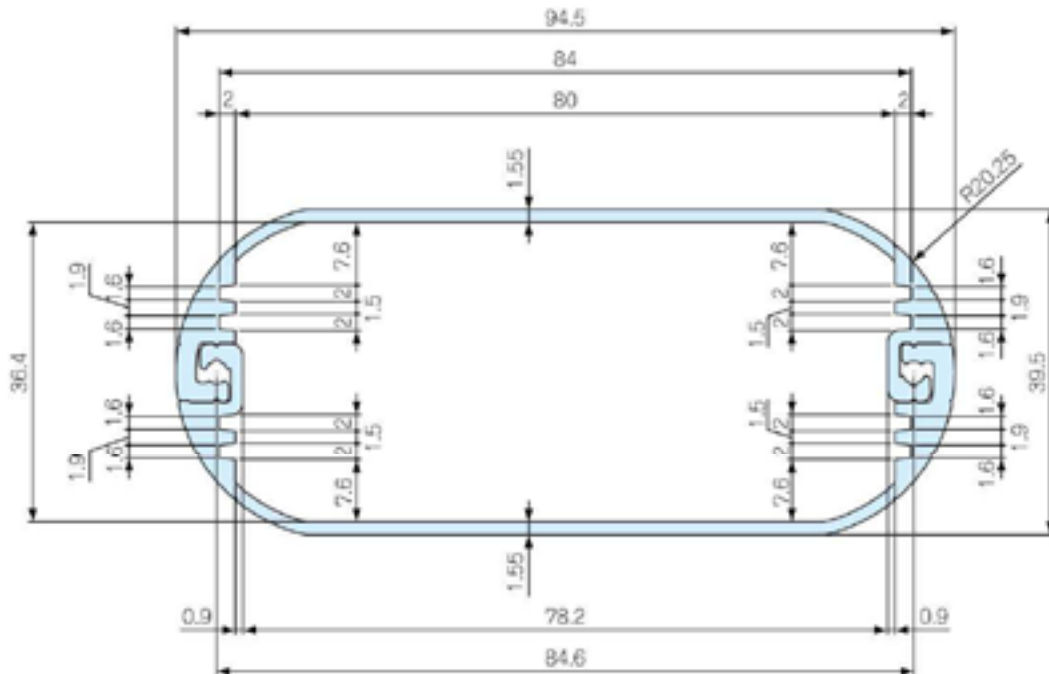
Data Sheet for Aluminium Housing

Electronics aluminium housing

Series EST

Drawing housing EST1 and EST1A

EST1 4095 / EST1A 4095



EST1 35130 / EST1A 35130

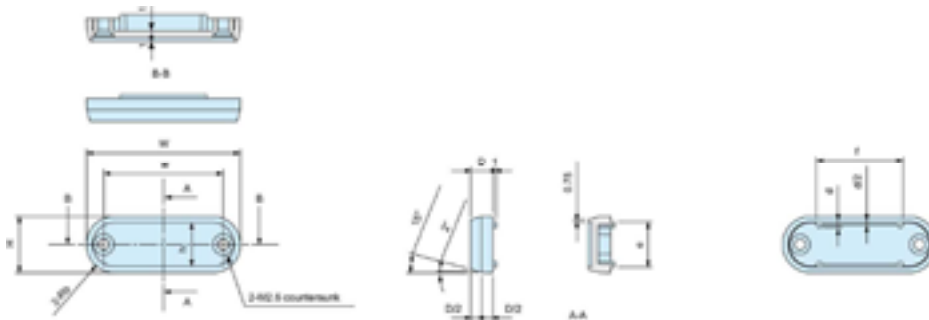


Data Sheet for Aluminium Housing

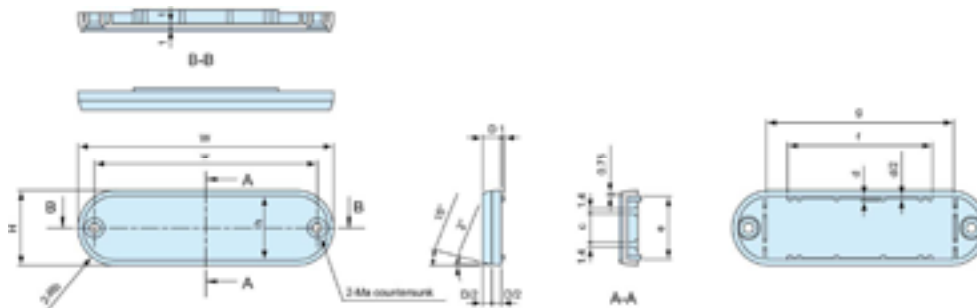
Electronics aluminium housing

Series EST

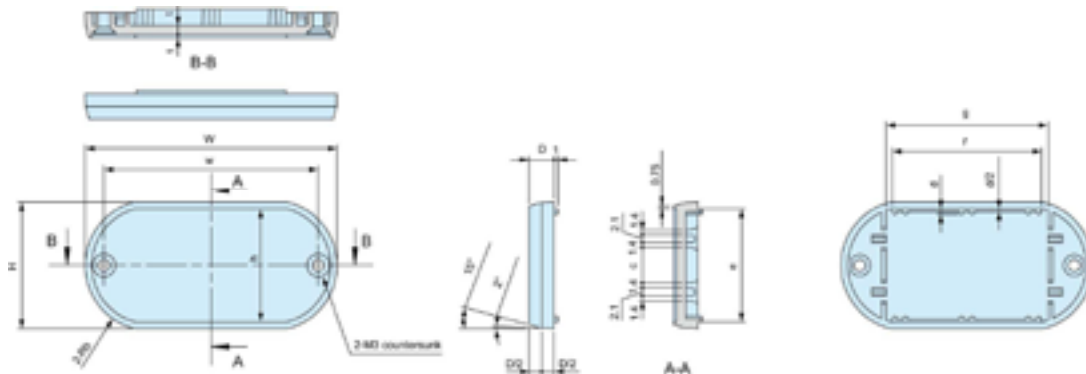
Drawing frames EST1



| | H | W | D | w | b | d | e | f | h | t |
|------|----|-----|---|------|-----|-----|----|----|------|-----|
| EST1 | 13 | 48 | 6 | 38,8 | 6,5 | 1,5 | 10 | 32 | 9,6 | 1,7 |
| EST1 | 15 | 41 | 6 | 31,8 | 7,5 | 1,5 | 12 | 23 | 11,6 | 1,7 |
| EST1 | 16 | 100 | 6 | 90,8 | 8 | 1,5 | 13 | 81 | 12,6 | 1,7 |



| | H | W | D | w | a | b | c | d | e | f | g | h | t |
|------|----|-----|---|-------|-----|------|------|-----|------|------|-------|------|-----|
| EST1 | 18 | 57 | 5 | 47,7 | 2,6 | 9 | 7,9 | 1,3 | 15 | 38,3 | 41,2 | 14,9 | 1,5 |
| EST1 | 20 | 70 | 6 | 59,6 | 3 | 10 | 9,2 | 1,5 | 16,3 | 49,5 | 52,6 | 16,6 | 1,7 |
| EST1 | 24 | 82 | 6 | 71,6 | 3 | 12 | 9,2 | 1,5 | 20,4 | 46,5 | 60,2 | 20,6 | 1,7 |
| EST1 | 30 | 110 | 7 | 99,6 | 3 | 15 | 10,2 | 1,5 | 26,4 | 61,5 | 87,3 | 26,3 | 1,7 |
| EST1 | 35 | 130 | 8 | 119,6 | 3 | 17,5 | 11,2 | 1,5 | 30,9 | 76,5 | 104,3 | 31 | 1,8 |



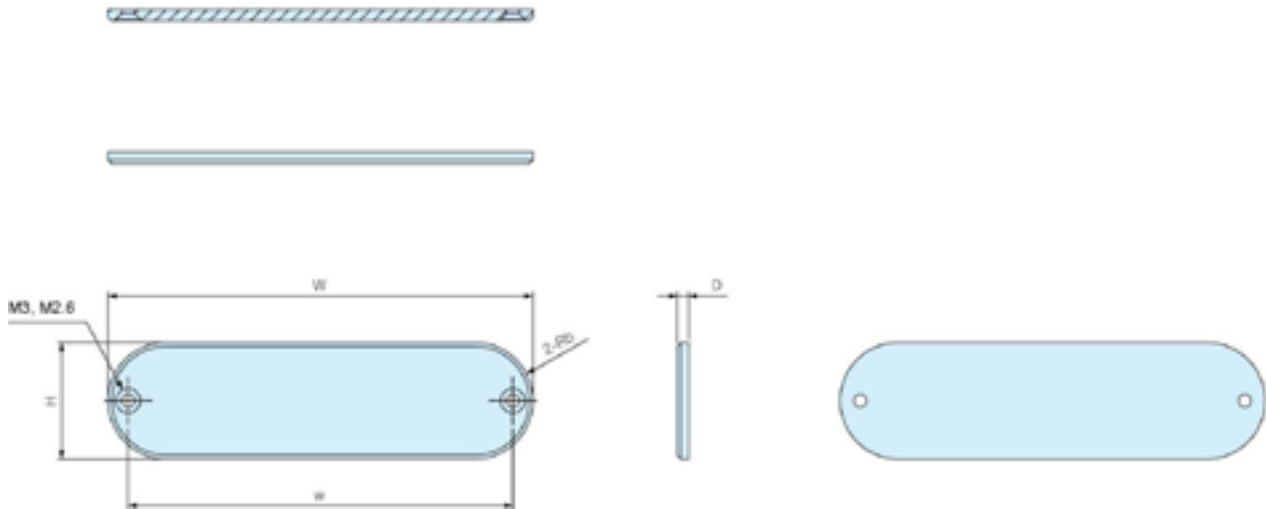
| | H | W | D | w | b | c | d | e | f | g | h | t |
|------|----|----|---|------|------|------|-----|------|------|----|------|-----|
| EST1 | 35 | 70 | 7 | 59,6 | 18 | 9,8 | 1,5 | 31,3 | 41,6 | 45 | 31,3 | 2,5 |
| EST1 | 40 | 94 | 8 | 84,6 | 20,5 | 10,8 | 1,5 | 36,3 | 61,6 | 65 | 36 | 2,5 |

Data Sheet for Aluminium Housing

Electronics aluminium housing

Series EST

Drawing end plates EST1A



| | H | W | D | w | b | M3/M2,6 |
|-------|----|-----|---|-------|------|---------|
| EST1A | 13 | 48 | 3 | 38,8 | 6,5 | M2,6 |
| EST1A | 15 | 41 | 3 | 31,8 | 7,5 | M2,6 |
| EST1A | 16 | 100 | 3 | 90,8 | 8 | M2,6 |
| EST1A | 18 | 57 | 3 | 47,7 | 9 | M2,6 |
| EST1A | 20 | 70 | 3 | 59,6 | 10 | M3 |
| EST1A | 24 | 82 | 3 | 71,6 | 12 | M3 |
| EST1A | 30 | 110 | 3 | 99,6 | 15 | M3 |
| EST1A | 35 | 70 | 3 | 59,6 | 18 | M3 |
| EST1A | 35 | 130 | 3 | 119,6 | 17,5 | M3 |
| EST1A | 40 | 95 | 3 | 84,6 | 20,5 | M3 |