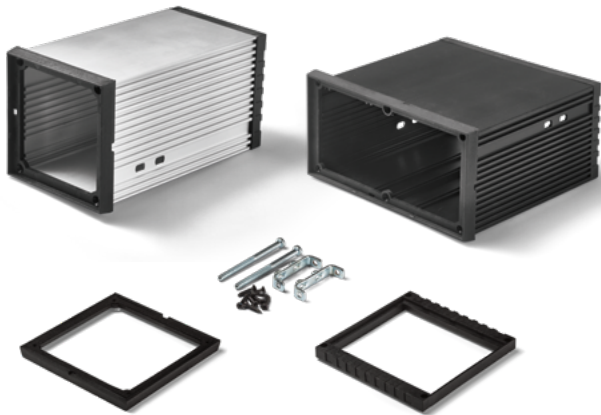


Data Sheet for Aluminium Housing

Electronics DIN aluminium housing

Series DIN K



The aluminium electronics enclosures in the DIN K series comply with DIN IEC 61554:2002-08. The enclosures are available in ten different DIN sizes and various lengths. Depending on the type, grooves with a maximum thickness of 2 mm are available for horizontal and vertical PCB installation. The enclosures are supplied as kits consisting of profiles, front and rear frames, and screws and mounting brackets. The enclosure's surface is either natural aluminium or black anodised (optional). The plastic frames are black.

The aluminium enclosure kit includes:

Aluminium profile, mounting brackets, front and rear frames, frame fixing screws.

Data Profile

Material	ALMgSi 0,5 F22 Mg 0,55
Colour	Aluminium natural anodised or black anodized (further optional)
PCB thickness	max. 2 mm

Profile kind	External dimensions W x H	Internal dimensions W x H	External dim. front frame W x H	External dim. back frame W x H	PCB groove x 2	Profile length
036072	68 x 33 mm	62 x 30 mm	72 x 36 mm	68 x 33 mm	2	80/105 mm
048048	45 x 45 mm	42 x 39 mm	48 x 48 mm	45 x 45 mm	3	119 mm
048096	92 x 44 mm	85 x 40,5 mm	96 x 48 mm	92 x 44 mm	3	124/179 mm
072072	67 x 67 mm	64 x 59,6 mm	72 x 72 mm	67 x 67 mm	9	114/139 mm
096096	90 x 90 mm	86 x 82 mm	96 x 96 mm	90 x 90 mm	14	94/124 mm
072144	138 x 66 mm	130 x 62 mm	144 x 72 mm	138 x 66 mm	≥8	114/139 mm
096192	186 x 90 mm	178 x 86 mm	192 x 96 mm	186 x 90 mm	≥13	124/179 mm
144144	138 x 138 mm	134 x 130 mm	144 x 144 mm	138 x 138 mm	≥20	114/139 mm
144192	182 x 136 mm	175 x 134 mm	192 x 144 mm	182 x 136 mm	>20	124/179 mm
144288	282 x 138 mm	275 x 134 mm	288 x 144 mm	282 x 138 mm	>20	124/179 mm

Data Frame

Material	Plastic
Colour	Black
Self-tapping screws (black) included in delivery	8 x screws, 2.7 x 12 mm, for types 036072, 048048, 048096, 072072, 096096 12 x screws, 2.7 x 12 mm, for types 072144, 096192 16 x screws in M4 x 12 mm for type 144144 20 x screws in M4 x 23 mm for type 144192 24 x screws in M4 x 23 mm for type 144288

Data Mounting Brackets

Material	Metal
Colour	Silver
Included in delivery	2 brackets including 2 screws for all, except for housing types 144144, 144192 and 144288, which come with 4 brackets and 4 screws.

Data Sheet for Aluminium Housing

Electronics DIN aluminium housing

Series DIN K

Order Code

Description	Selection: standard=black/bold , possible <i>options=grey/italic</i>				
Series:	DIN K				
Profile external dimension W x H:					
68 x 33 mm		036072	80/105		
45 x 45 mm		048048	119		
92 x 44 mm		048096	124/179		
67 x 67 mm		072072	114/139		
90 x 90 mm		096096	94/124		
138 x 66 mm		072144	114/139		
186 x 90 mm		096192	124/179		
138 x 138 mm		144144	114/139		
182 x 136 mm		144192	124/179		
282 x 138 mm		144288	124/179		
Profile length in mm:					
Lengths: 80/94/105/114/119/124/139/179			see above		
<i>Option custom length in mm</i>			<i>XXXX</i>		
Profile colour:					
Aluminium black anodized				N	
Aluminium nature anodized				A	
<i>Optional surface raw material</i>				G	
<i>Optional surface red anodized</i>				RE	
<i>Optional surface green anodized</i>				VE	
<i>Optional surface blue anodized</i>				BE	
<i>Optional surface gold anodized</i>				OE	
<i>Optional surface bronze anodized</i>				ZE	
<i>Optional surface grey anodized</i>				GE	
Frames:					
Incl. plastic front and back frame					-

For higher quantities or on-going demand, additional options are available as described below on request

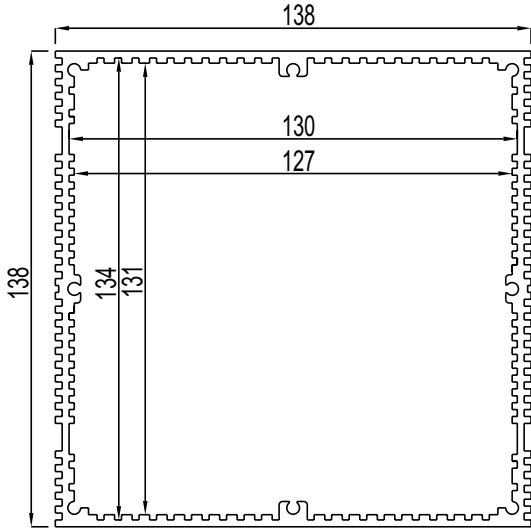
For Example: Processing of the housings such as drilling, punching, milling etc. as well as printing, customer-specific colours according to customer requirements. Customized processing of end plates, other thicknesses and materials. Chromate the bare housing and plates and more.

Data Sheet for Aluminium Housing

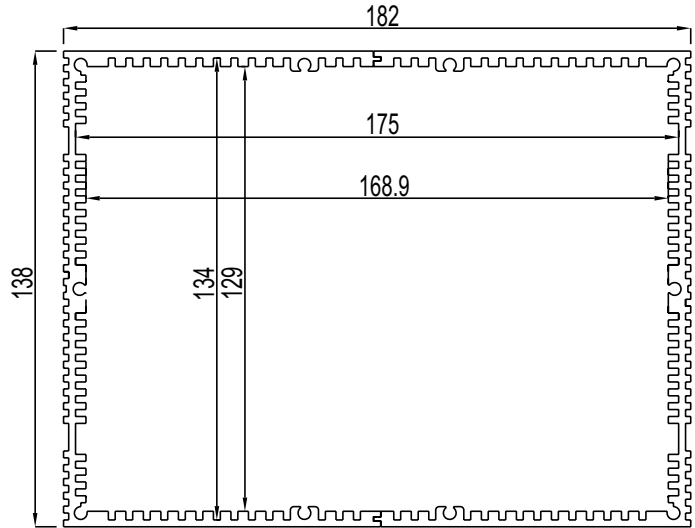
Electronics DIN aluminium housing

Series DIN K

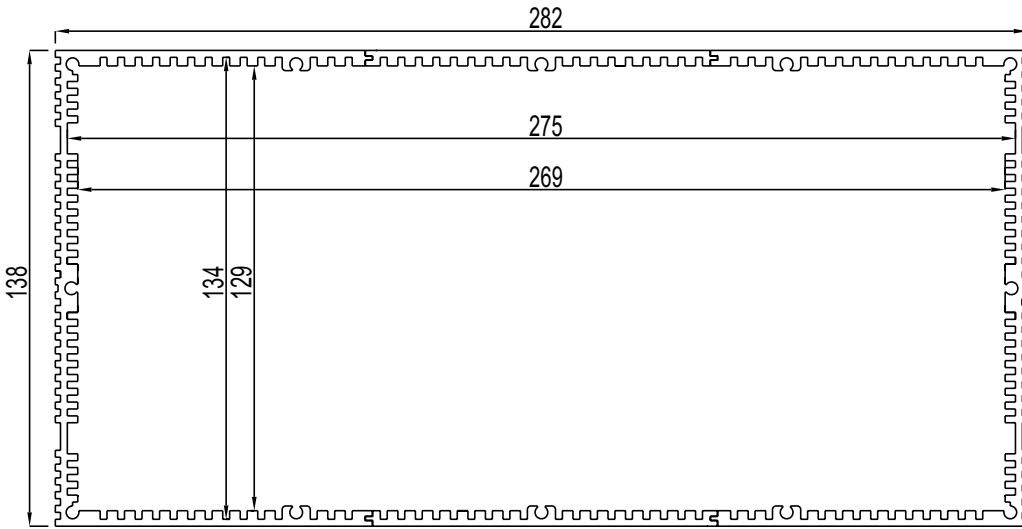
Drawing



144144



144192



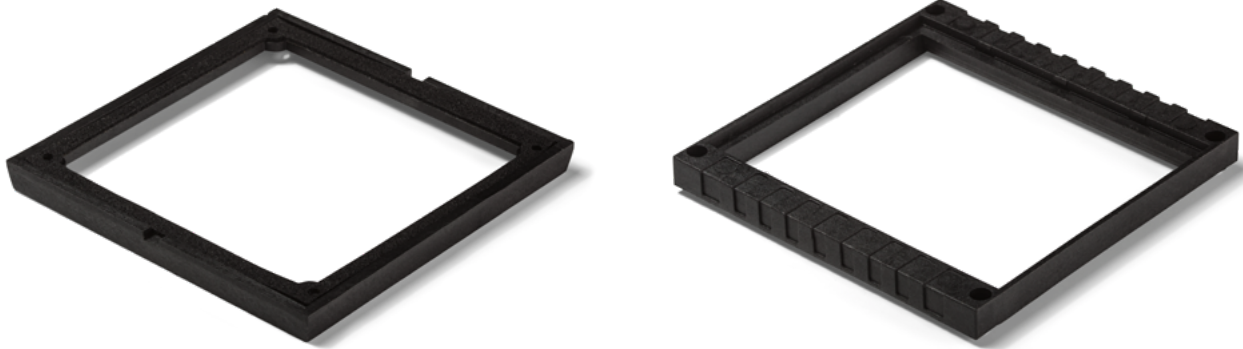
144288

Data Sheet for Aluminium Housing

Electronics DIN aluminium housing

Series DIN K

Front and back frame (example pictures)



Mounting brackets and screws (example picture)

