

Data Sheet for Joysticks

Thumb Joystick

Series TRY13m



- 1-axis Miniature Joystick
- Hall-Effect Sensor
- Easy Snap-In Mounting
- Thumb Wheel in several colors available

The TRY13m is the little brother of our TRY13: A thumb joystick in miniature size. Compact dimensions allow high density of components, making the TRY13m an ideal choice when space is limited. The TRY13m joysticks can be integrated into hand-gripped joysticks (e.g. TRY81), or into mobile or stationary user panels and remote controls.

Electrical Data

Sensor	Hall Effect
Supply Voltage	5 VDC ±0,5 VDC transient free
Resolution	1,22 mV
Return to Center Voltage Tolerance	±200 mV
Output Signal	0..5 V / 0,25..4,75 V / 0,5..4,5 V / 1..4 V
Current Consumption max.	ca. 8 mA
Output Impedance	2Ω

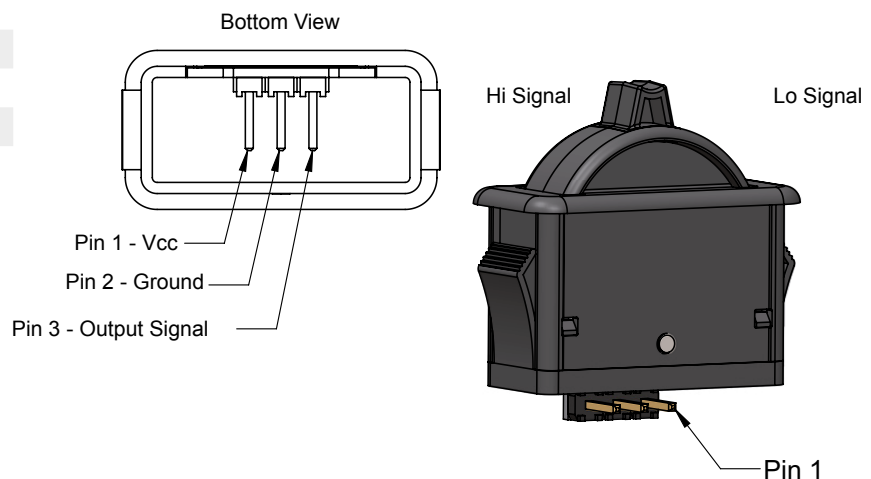
Mechanical and Environmental Data

Mechanical Angle of Movement	±45° from center
Expected Life	3 million cycles
Sealing	Waterproof (Conformal Coating of PCB)
Operating Temperature	-40°C .. +85°C
Storage Temperature	-40°C .. +85°C
EMC Immunity Level	EN61000-4-3
EMC Emissions Level	EN61000-6-3:2001
ESD	EN61000-4-2

Wiring

Function	Pin
Vcc	1
Ground	2
Output Signal	3

Connection with 3position connector (2,54mm pitch).
Please contact us for project specific wiring and connectors.



Data Sheet for Joysticks

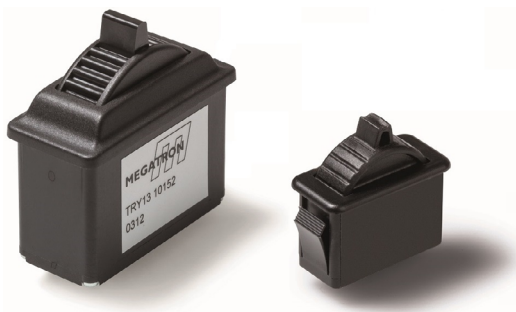
Thumb Joystick

Series TRY13m

Order Code

Series	TRY13m				
Axes: 1 Axis	1				
Square Form		0			
Spring Return			1		
Thumbwheel: Black Grey Black with Tab Grey with Tab				1 2 5 6	
Output Signal: 0.. 5,0 V (rail to rail) 0,5.. 4,5 V 1..4 V 0,25..4,75 V					1 2 3 4
Connection: 3position connector, 2,54mm pitch					S

Example:
Integration into hand-grip joystick (e.g. TRY81). TRY13m with and without Tabs (red not available).



Comparison: TRY13 and TRY13m



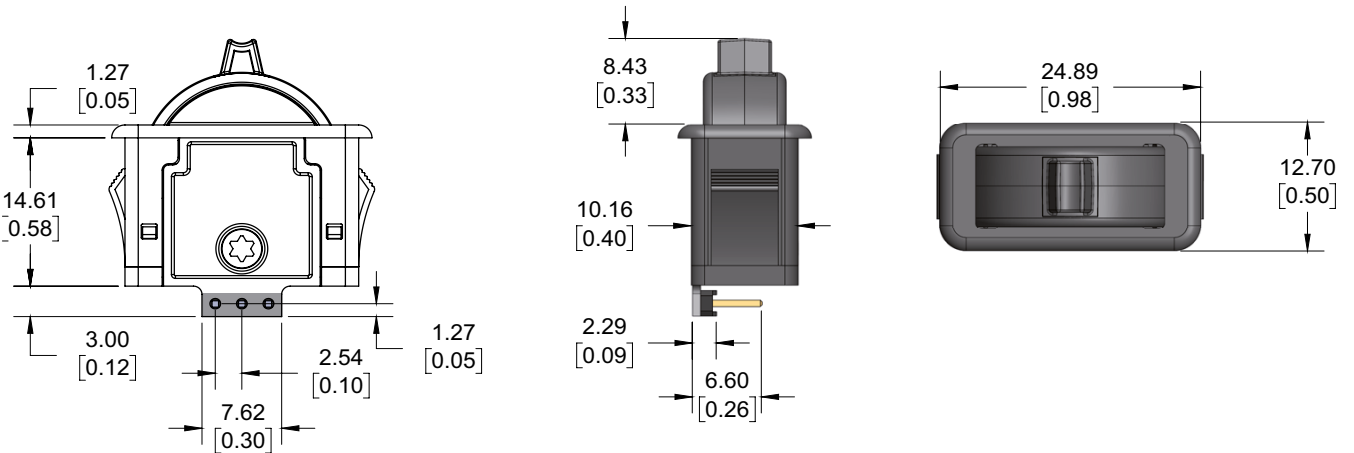
Data Sheet for Joysticks



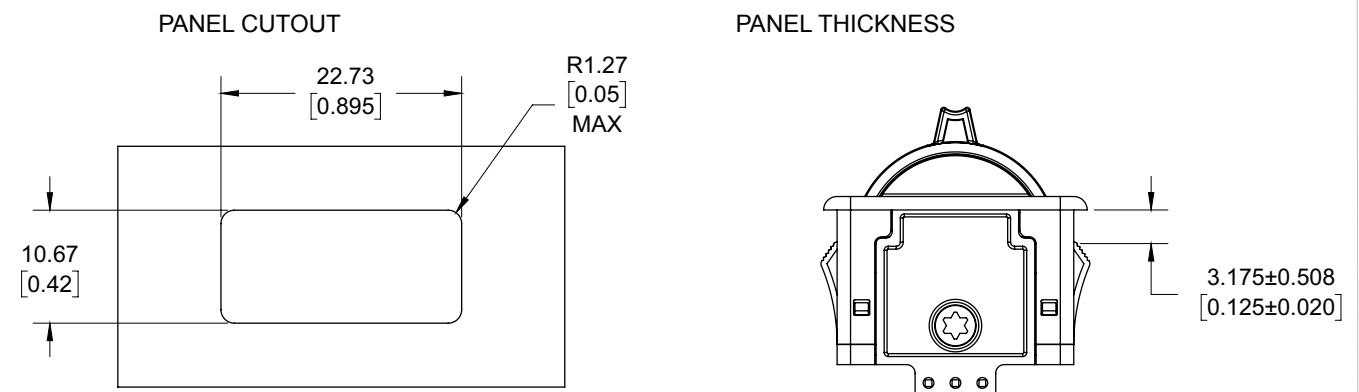
Thumb Joystick

Series TRY13m

Technical Drawing



Mounting



All dimensions in mm (inch).