

Data Sheet for Joysticks

Fingerjoystick

Series XTbar



- Fader for precise control
- Smooth consistent feel over lifetime
- Low-noise hall sensor

Faders of the XTbar series were designed for applications which not only require a low signal noise, but especially profit from constant operation forces over lifetime. This enables the user to concentrate on his real work - without the need to handle drifting operation forces.

Technical Data

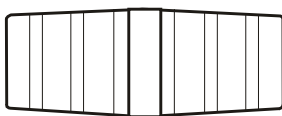
Sensors	Hall effect
Supply Voltage	5 VDC $\pm 0,5$ VDC transient free
Output Voltage	0..5 V / 0,5..4,5 V / others upon request
Power Consumption	13 mA
Reverse Polarity max	-10 VDC
Overvoltage max.	20 VDC
Output Impedance	10 Ohm

Mechanical and environmental data

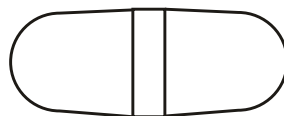
Mechanical Angle of Movement	63° ($\pm 31,5^\circ$ from center)
Operating Force	0,5 N
Expected Life	1 Million operations
IP class	For indoor use
Operation Temperature	-25° .. +70°C
Storage Temperature	-40° .. +70°C
Weight	ca. 65g

Standard Handles

Barrel Handle



Bullet handle



Handles of the XTbar series are supplied separately, in two halves. After mounting the XTbar to the panel, these two parts can be easily screwed together.

Data Sheet for Joysticks

Fingerjoystick

Series XTbar

Order Code

Series	XTbar		
Handles:			
Barrel		1	
Bullet		2	
Output Options:			
0..5 V (rail to rail)			5
0,5..4,5 V			4
others (*)			
Polarity of Output Signal:			
Standard			S
Reverse			R (*)

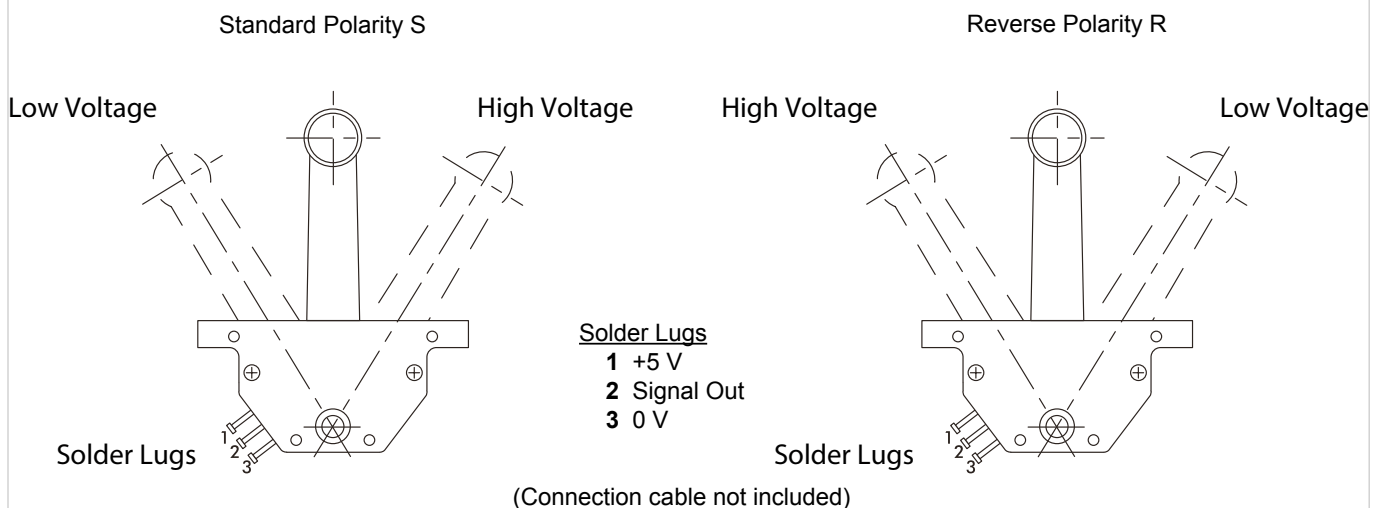
(*) upon request

For series demands these and further customer-specific solutions are available

For example:

- Other Output signal spans; PWM Output
- Customer-specific handles
- Cables and connectors

Polarity of Output Signal



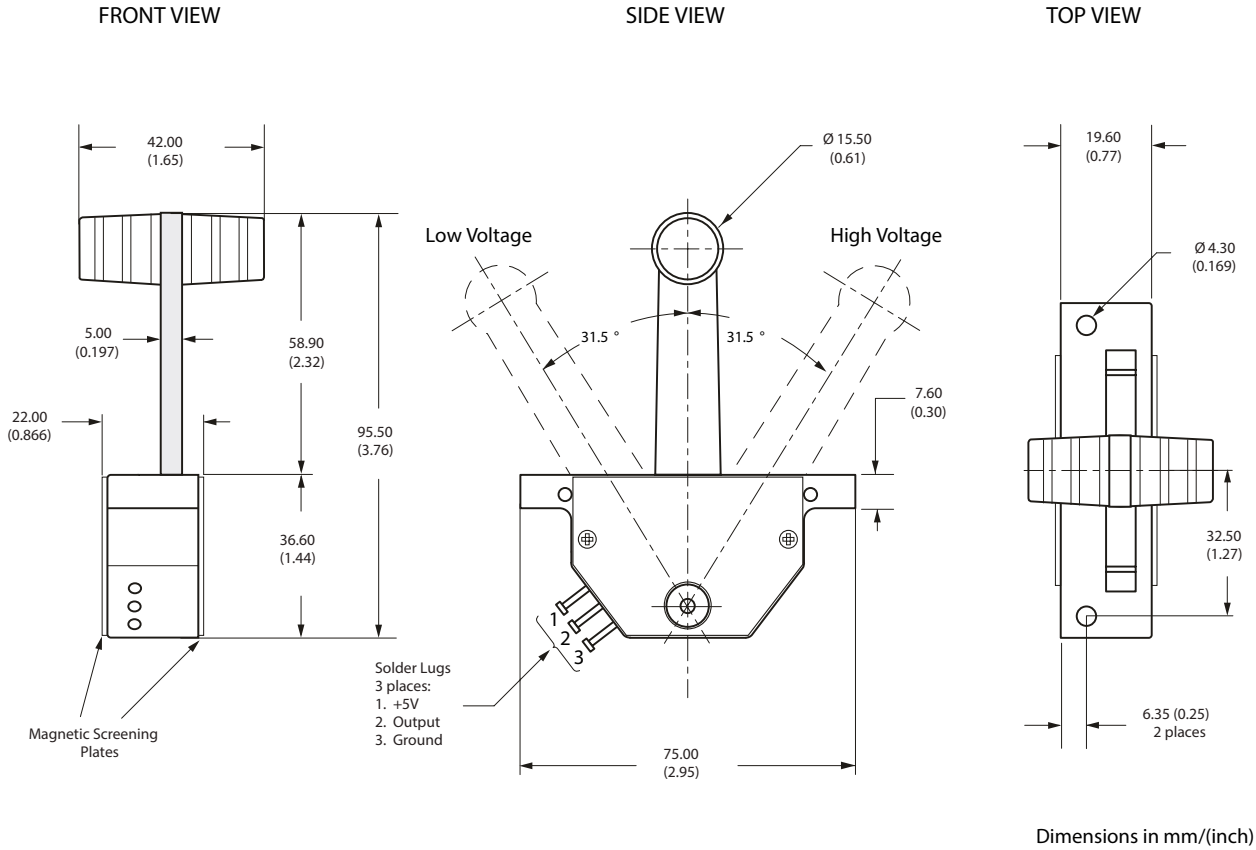
Data Sheet for Joysticks



Fingerjoystick

Series XTbar

Technical Drawing



Installation Dimensions

