

Data Sheet for Joysticks

Desktop Joystick

Series MACH V



- 12 switching operations, two of them integrated inside handle
- Ergonomic desktop housing
- USB interface (HID 1.1 compliant)

The Mach V series is especially suited for application in conjunction with CCTV. The precise sensors allow sensitive steering of the orientation and zoom of video cameras. With the integration of 10+2 pushbuttons many different operations can be realized, e.g. selection of camera to operate.

Technical Data

Sensor	Hall Effect Sensor
Supply Voltage	5 VDC via USB Interface
Power Consumption	32mA
Independent Linearity Tolerance	±2% full scale
Expected Life	3 million cycles
Mechanical Angle of Movement X-, Y-Axis	36° (±18° from center)
Mechanical Angle of Movement Z-Axis	60° (±30° from center)
Operating Force X-, Y-Axis	2,8 N
Operating Force Z-Axis	0,12 Nm
Operating Temperature	- 25°C..+ 85°C
Weight	440g
Protection Class	For indoor use
Supported Protocols	USB 1.1 Game Controller, Direct X (Gaming Control) Joystick: Three HID axes, Pushbuttons: 12 HID buttons Uses standard DirectX HID drivers
Approvals	EN 55024:1998, EN 55022, CE FCC Part 15 Subpart B Class B RoHs compliant

Order Description

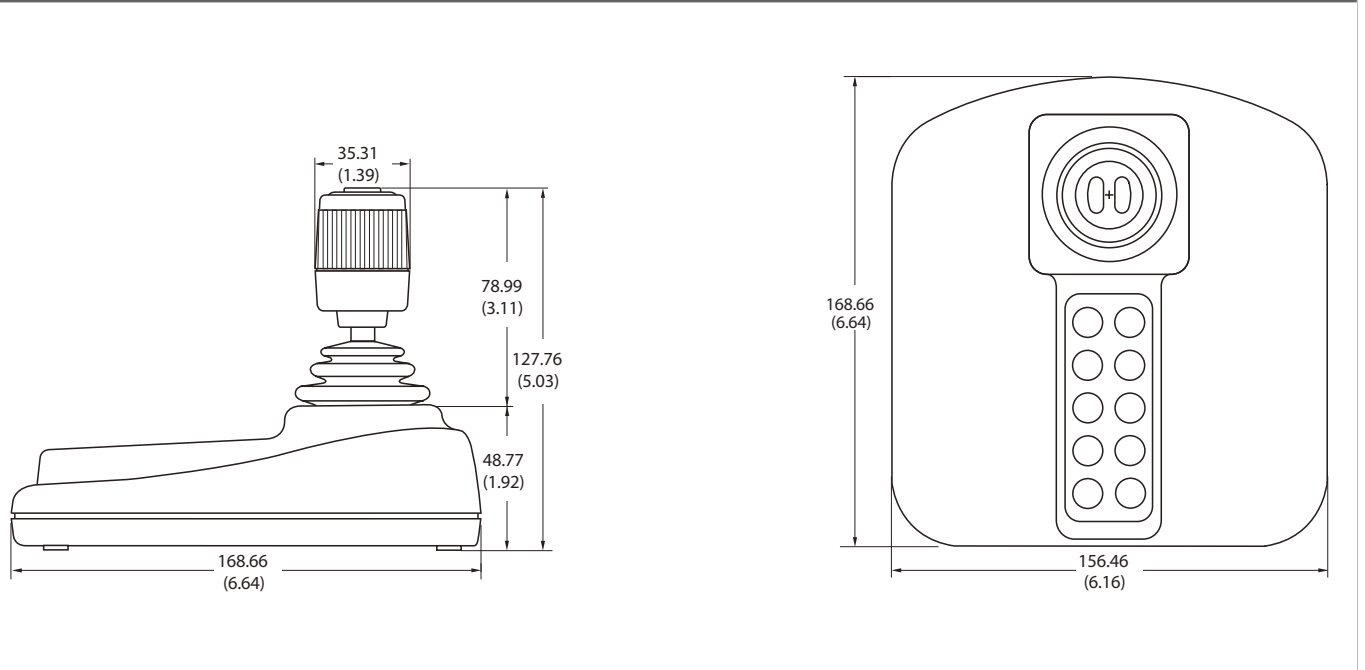
Series	MACH V						
3 Axes with Pushbutton(s)		5					
Rubber Boot			5				
Spring Return				1			
Handle for 3 Axes, 2 Pushbuttons					A		
Limiters square						1	
USB Interface							5

Data Sheet for Joysticks

Desktop Joystick

Series MACH V

Technical Drawing



All dimensions in mm (inch)