

# Data sheet for Load Cells

Button Load Cell (Pancake)

Series KMC180



- Measuring range 0...300 kN
- Force transmission via through hole
- With large contact surface
- Strain gauge
- Steel alloy
- Degree of protection IP66
- Calibration including measurement data

Series KMC180 force transducer is a all-purpose load cell (pancake). The sensor is often used in presses, testing machines, truck scales and large container and hopper scales.

## Data load cell

Rated force	300kN
Rated characteristic value	3,0 mV / V of rated output
Relative error of characteristic value	≤ 0,25 % of rated output
Relative repeatability error	≤ 0,03 % of rated output
Relative reversibility error	≤ 0,03 % of rated output
Relative linearity error	≤ 0,03 % of rated output
Reference straight line	≤ 0,03 % of rated output
Relative deviation of zero signal	≤ 1 % of rated output
Rated displacement	≤ 0,5 mm
Input resistance	775 ±20Ω
Output resistance	700 ±5Ω
Insulation resistance	≥ 5 GΩ @ 50 V DC
Maximum operating force	≤ 150 % of rated force
Rated range of excitation voltage	10 V DC / AC
Operating range of excitation voltage	≤ 15 V DC / AC
Rated temperature range	-10 °C .. +70 °C
Operating temperature range	-10 °C .. +40 °C
Protection	IP66
Temperature effect on characteristic value	≤ 0,02 % of rated output / 10 K
Temperature effect on zero signal	≤ 0,02 % of rated output / 10 K
Creep under load	≤ 0,5 % of rated output
Cable dimension	4 x AWG24, PTFE isolated, shielded
Cable length from body	ca. 6 m
Body material	Alloy steel
Mass	

1.) Terms and definitions acc. directive VDI/VDE/DKD 2638

# Data sheet for Load Cells

Button Load Cell (Pancake)

Series KMC180

## Order code

Description	Selection: standard=black/bold, possible options=grey/cursive		
Series:	<b>KMC180</b>		
Connecting cable: Cable length 6 m		<b>K</b>	
Rated force: 300 kN			<b>300kN</b>

## Accessories (not included in delivery)

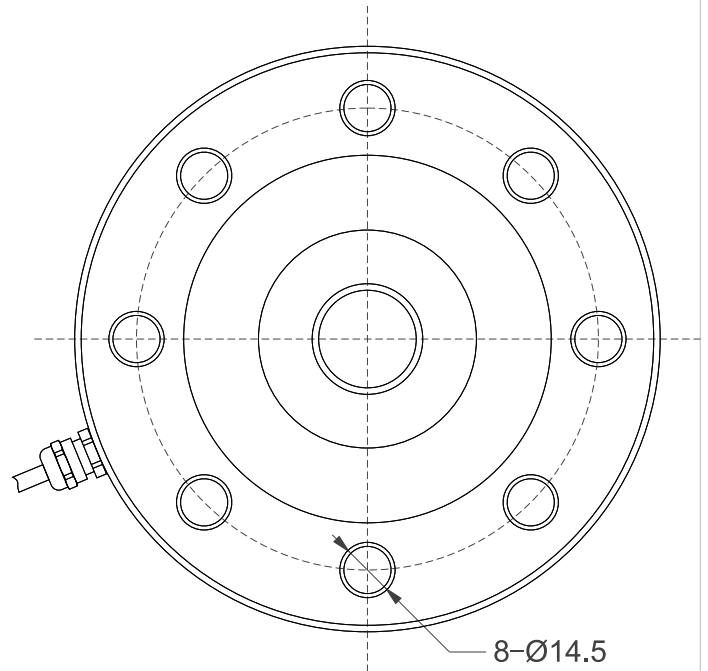
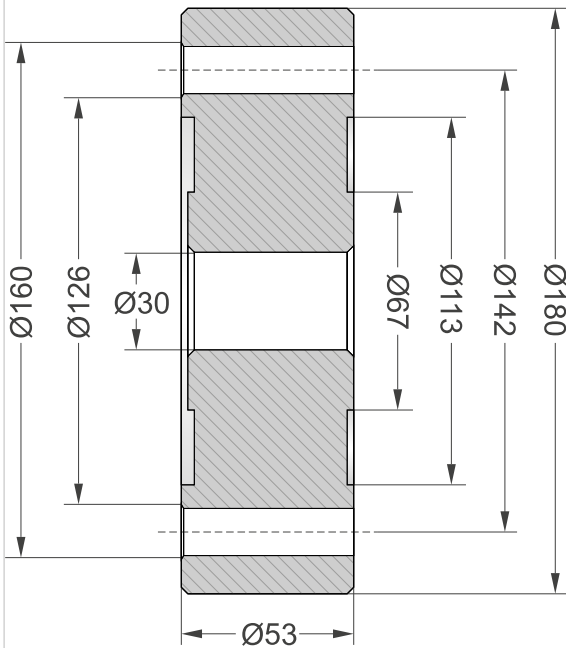
Measuring amplifier	IMA2DMS
---------------------	---------

# Data sheet for Load Cells

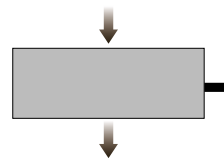
Button Load Cell (Pancake)

Series KMC180

## Drawing



Terminal assignment	
Black	- Supply
Red	+ Supply
Green	+ Output
White	- Output



Dimensions in mm