

# Data sheet for Load Cells

## Button Load Cells

## Series KMB76



- Measuring range 0...220 kN
- Strain gauge
- Stainless steel
- Degree of protection IP64
- Calibration including measurement data

Series KMB76 force transducer is a all-purpose compression load cell.

### Data load cell

Rated force	220kN
Rated characteristic value	2,0 mV / V of rated output
Relative error of characteristic value	≤ 10 % of rated output
Relative repeatability error	≤ 0,5 % of rated output
Relative reversibility error	≤ 0,5 % of rated output
Relative linearity error	≤ 0,5 % of rated output
Reference straight line	≤ 0,5 % of rated output
Relative deviation of zero signal	≤ 0,1 % of rated output
Rated displacement	≤ 0,15 mm
Input resistance	700 ±50Ω
Output resistance	700 ±50Ω
Insulation resistance	≥ 500 MΩ @ 50 V DC
Maximum operating force	≤ 150 % of rated force
Rated range of excitation voltage	10 V DC / AC
Operating range of excitation voltage	≤ 20 V DC / AC
Rated temperature range	-50 °C .. +90 °C
Operating temperature range	0 °C .. +70 °C
Protection	IP64
Temperature effect on characteristic value	≤ 0,36 % of rated output / 10 K
Temperature effect on zero signal	≤ 0,18 % of rated output / 10 K
Creep under load	≤ 0,5 % of rated output
Cable dimension	4 x AWG26, cable shielded
Cable length from body	ca. 3 m
Body material	Stainless steel
Mass	ca. 1100 g

1.) Terms and definitions acc. directive VDI/VDE/DKD 2638

# Data sheet for Load Cells

Button Load Cells

Series KMB76

## Order code

<b>Description</b>	Selection: standard=black/bold, possible options=grey/cursive		
<b>Series:</b>	<b>KMB76</b>		
<b>Connecting cable: Cable length 3 m</b>		<b>K</b>	
<b>Rated force: 220 kN</b>			<b>220KN</b>

## Accessories (not included in delivery)

<b>Measuring amplifier</b>	IMA2 DMS
----------------------------	----------

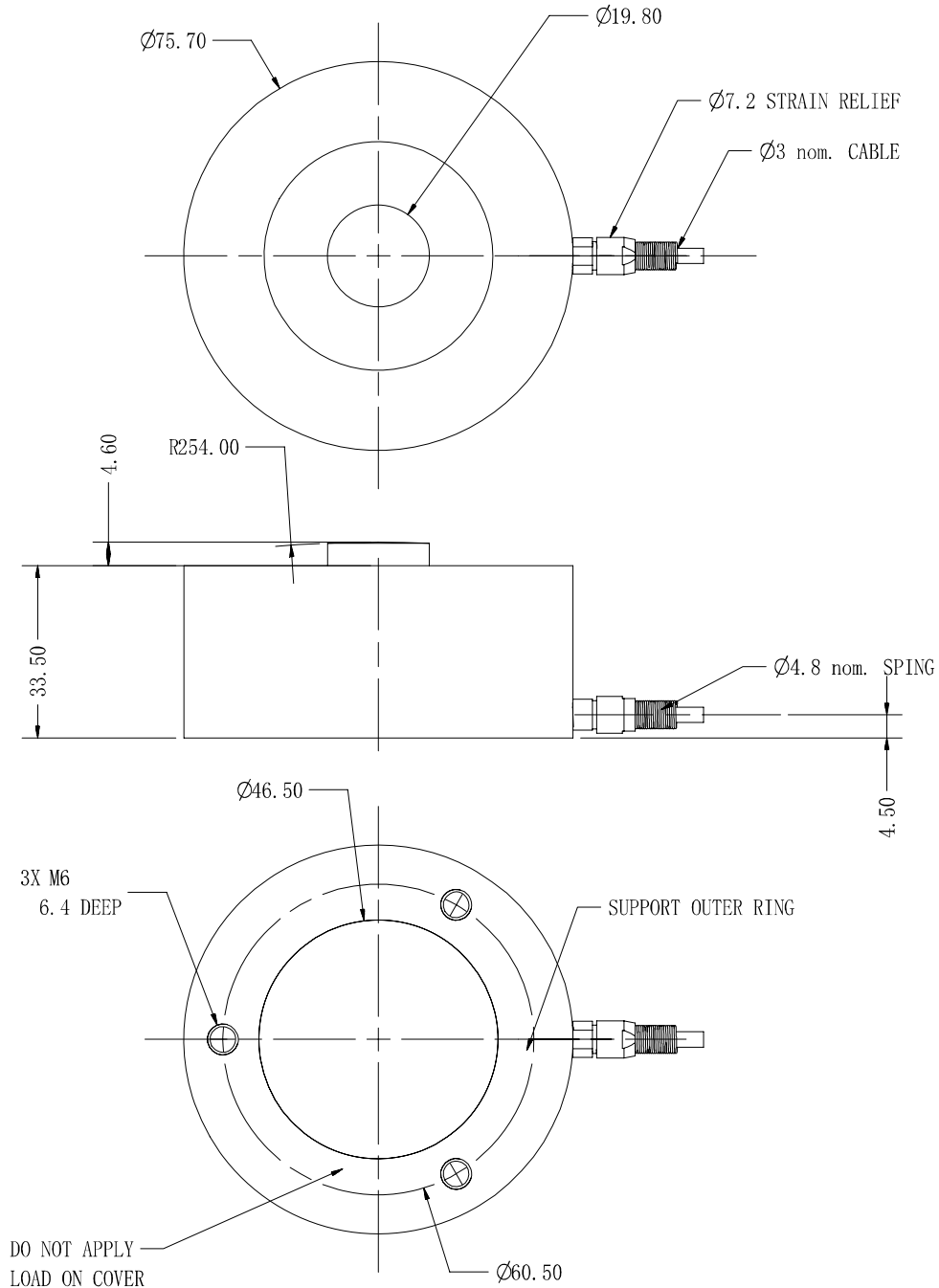
# Data sheet for Load Cells



Button Load Cells

Series KMB76

## Drawing



Dimensions in mm

Terminal assignment	
Black	- Supply
Red	+ Supply
Green	+ Output
White	- Output