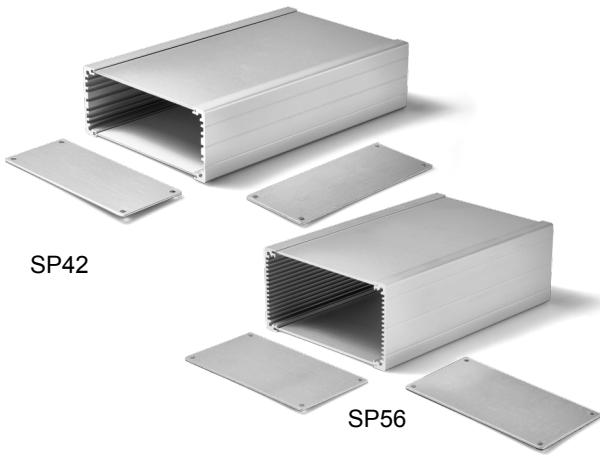


# Data Sheet for Aluminium Housing

Electronics aluminium housing

Series EUKAP SP



Small profile housing designed to accept printed circuit boards in EUROPA card format.

We offer two standard kit housings in profile length 165 mm x 103 width and profile heights 42 mm (SP 42) and 56 mm (SP56), including bottom plates, end plates and screws. The aluminium housings are available in anodised aluminium (optional black anodised).

For individual housing designs we offer the side profiles with standard length 1000 mm. Customer specific lengths up to max. 3000 mm are possible.

Data Standard Housing	SP42	SP56
External dimensions length	165 mm (+3 mm end plates)	
External dimensions width	103 mm	
External dimensions height	42 mm	56 mm
Groove x 2 und thickness	2 x 2,5 mm 5 x 1,6 mm	15 x 1,8 mm

Data cover plates	
Length	165 mm
Width	89 mm
Material	Aluminium
Colour	Aluminium nature anodised (optional black anodised)
Material thickness	1,5 mm

Data End Plates	
Material	Aluminium
Colour	Aluminium nature anodised (optional black anodised)
Material thickness	1,5 mm
Feed for screws	8 pieces 2.9 x 9.5 included in delivery

Data Side Profile	SP42	SP56
External dimensions height	10 mm	
External dimensions width	42 mm	56 mm
Internal dimension width	34 mm	48 mm
Thickness of cover	max. 1,6 mm	
Material	ALMgSi 0,5 F22	
Colour	Aluminium nature anodised (optional black anodised)	
Mass ca.	0,41 kg/m	0,56 kg/m

# Data Sheet for Aluminium Housing

Electronics aluminium housing

Series EUKAP SP

## Order Code Standard-Profile-Housing-Kit: Profile + cover plates + end plates + screws

Description	Selection: standard=black/bold, possible options=grey/cursive				
<b>Series:</b>	<b>EUKAP SP GEHÄUSE</b>				
<b>Housing hight:</b> 42 mm 56 mm		<b>42</b> <b>56</b>			
<b>Housing length:</b> 165 mm <i>Option custom length &lt;3000 mm</i>			<b>165</b> XXXX		
<b>Housing colour:</b> <b>Aluminium nature anodised</b> <i>Option Aluminium black anodised</i>				<b>A</b> N	

## Order Code Side Profile

Description	Selection: standard=black/bold, possible options=grey/cursive				
<b>Series:</b>	<b>EUKAP SP PROFIL</b>				
<b>Profile hight:</b> 42 mm 56 mm		<b>42</b> <b>56</b>			
<b>Profile length:</b> 1000 <i>Option custom length &lt;3000 mm</i>			<b>1000</b> XXXX		
<b>Profile colour:</b> <b>Aluminium nature anodised</b> <i>Option Aluminium black anodised</i>				<b>A</b> N	

### For higher quantities or on-going demand, additional options are available as described below on request

For Example: Processing of the housings such as drilling, punching, milling etc. as well as printing. Customized processing of end plates and much more.

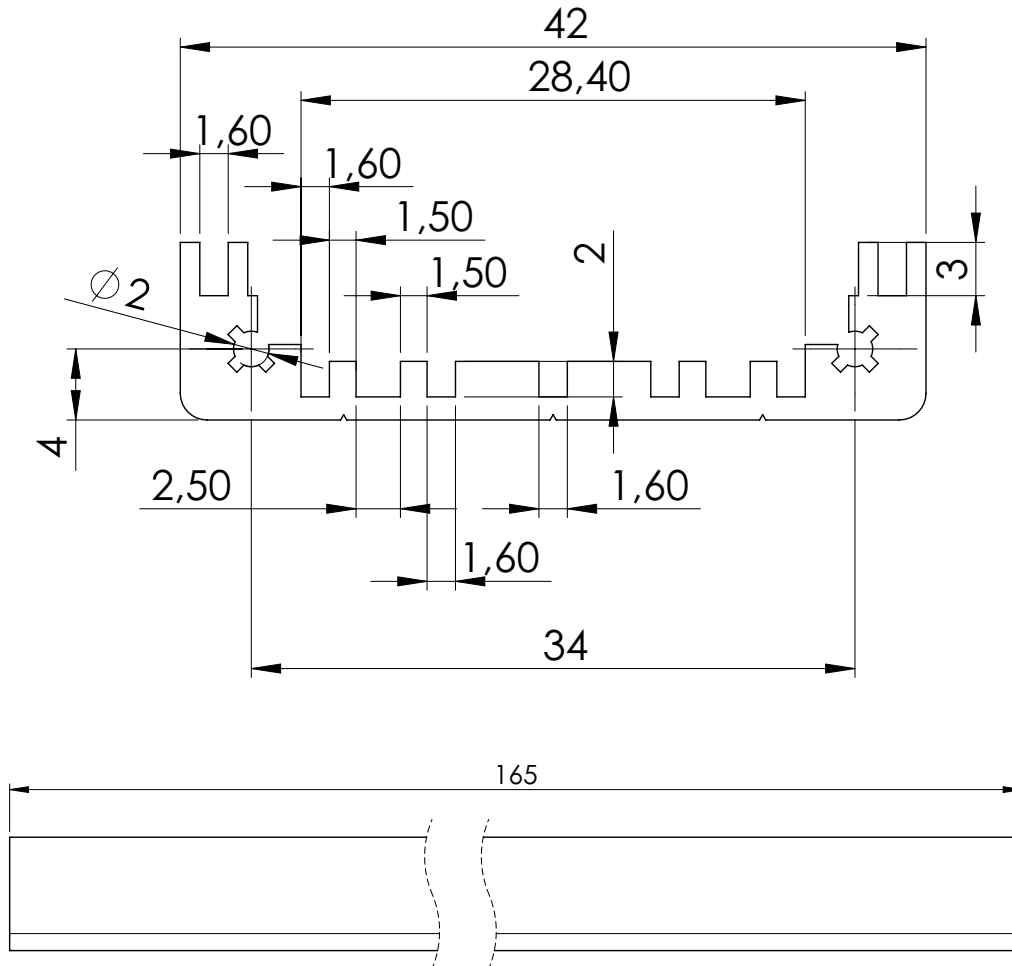
# Data Sheet for Aluminium Housing

Electronics aluminium housing

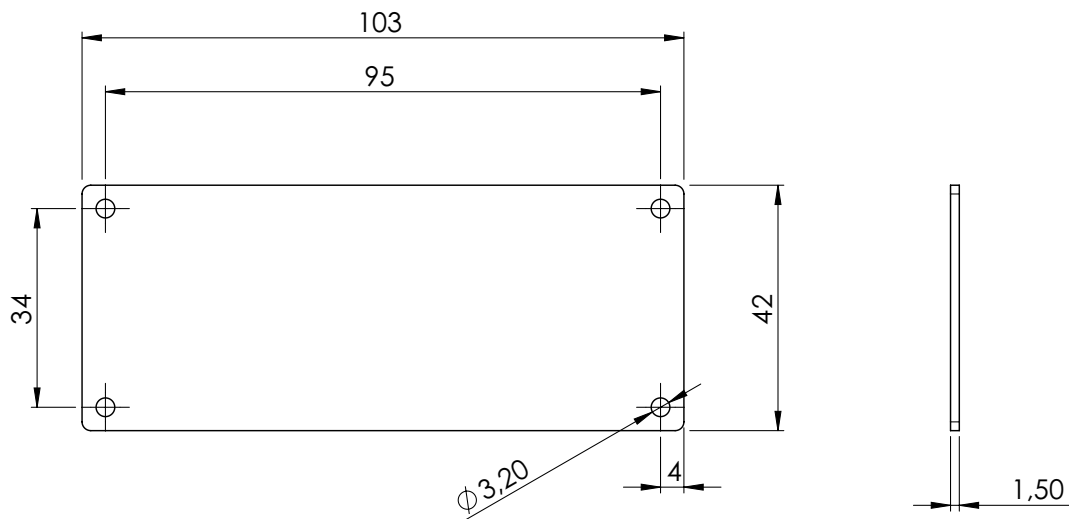
Series EUKAP SP

## Drawing

### Profile SP42



### End plates SP42



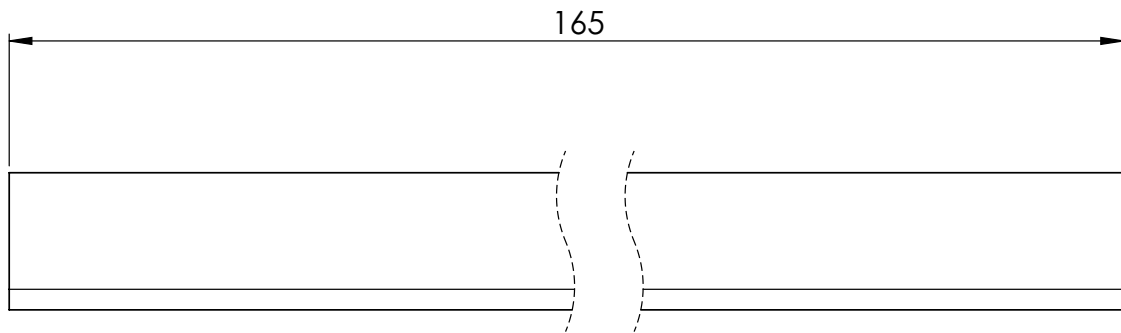
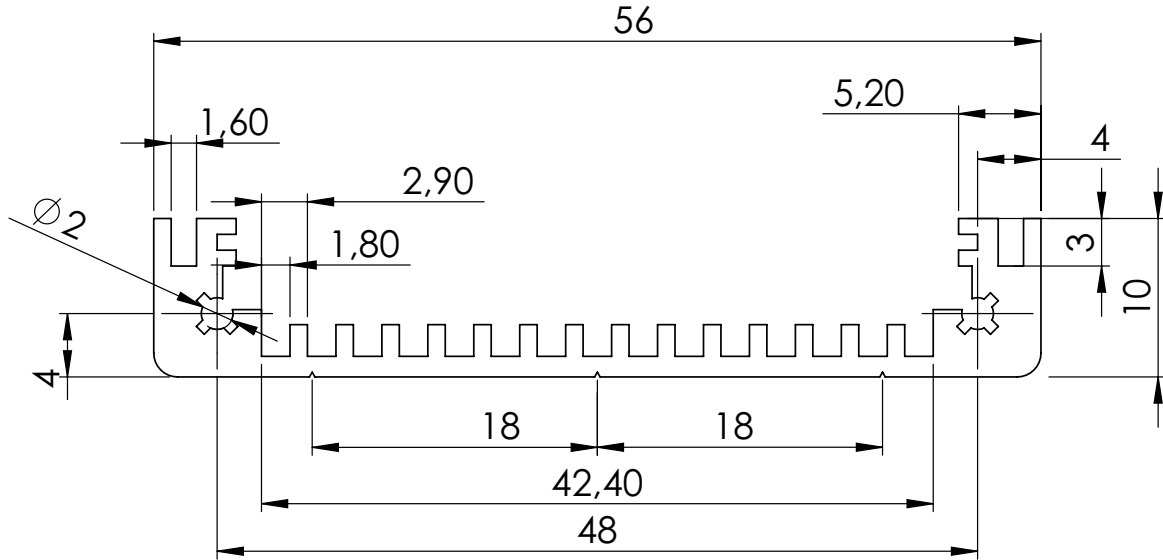
# Data Sheet for Aluminium Housing

Electronics aluminium housing

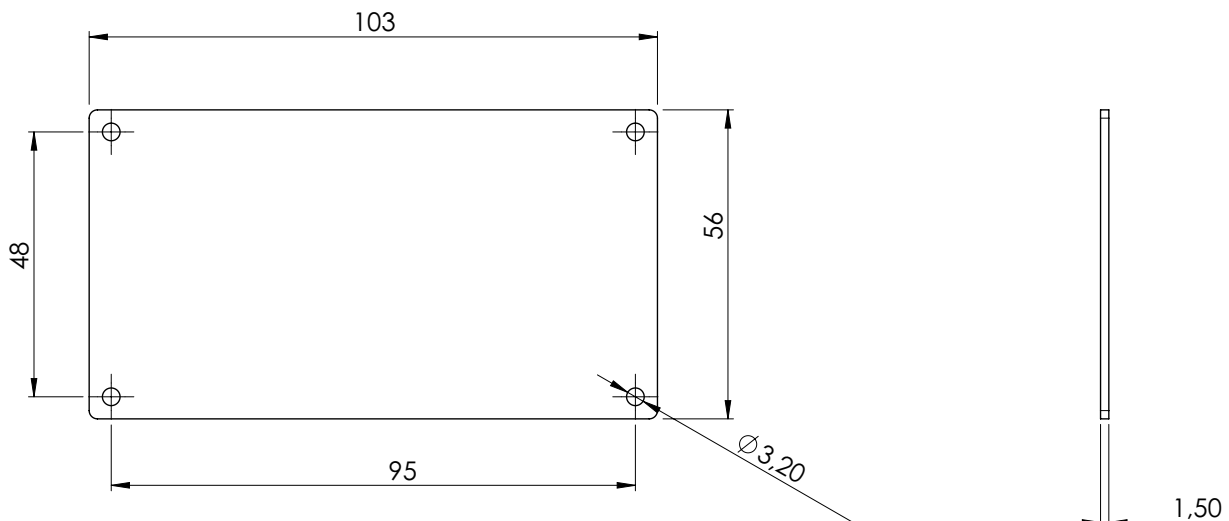
Series EUKAP SP

Drawing

## Profile SP56



## End plates SP56



# Data Sheet for Aluminium Housing

Electronics aluminium housing

Series EUKAP SP

## Drawing

### Cover plates

